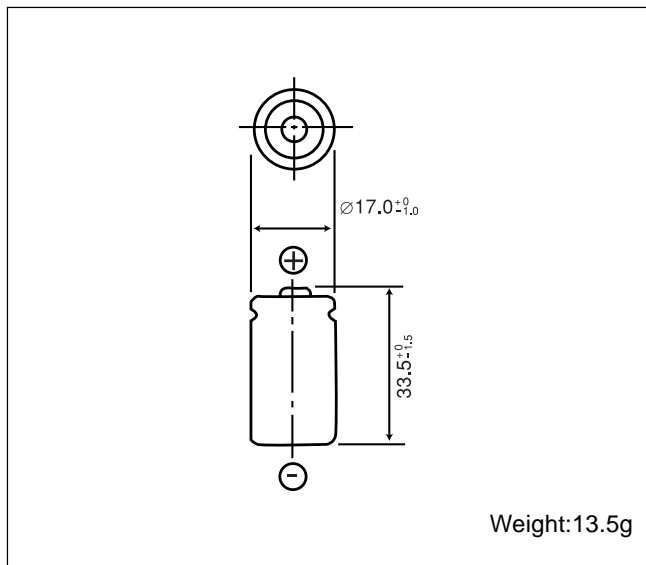


Poly-carbonmonofluoride Lithium Batteries: Individual Specifications

BR-2/3AG

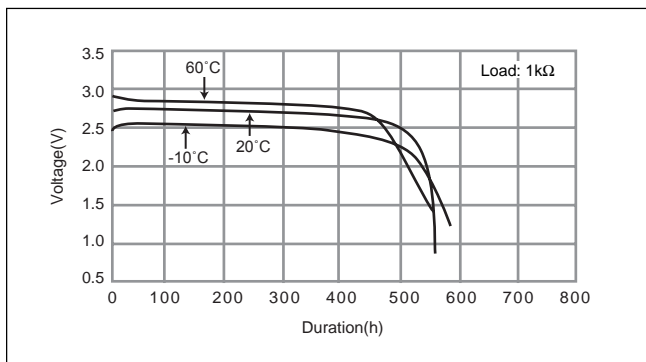
Dimensions(mm)



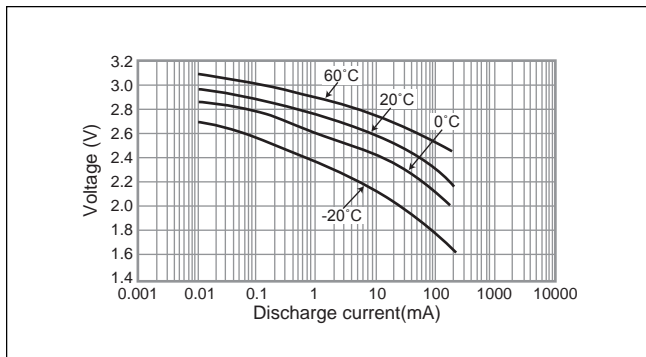
Specification

Nominal voltage (V)	3
Nominal capacity (mAh)	1,450
Continuous standard load (mA)	2.5
Operating temperature (C)	-40 ~ +85

Temperature Characteristics

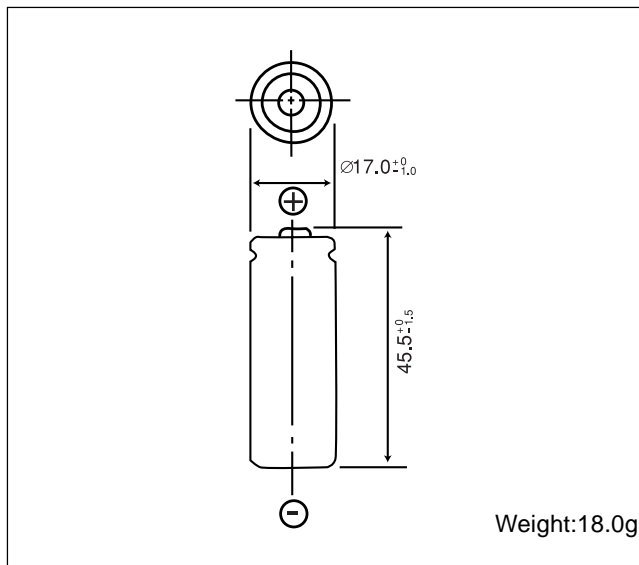


Operating voltage vs. Discharge current(voltage at 50% discharge depth)



BR-A

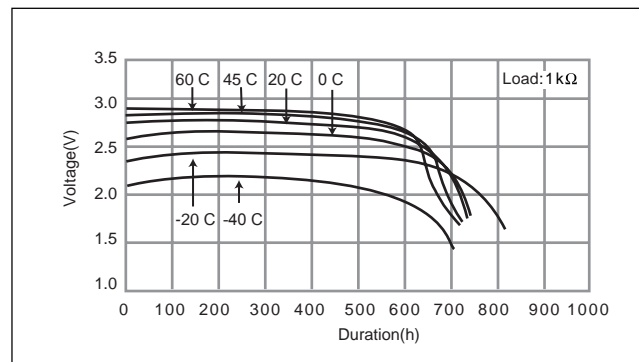
Dimensions(mm)



Specification

Nominal voltage (V)	3
Nominal capacity (mAh)	1,800
Continuous standard load (mA)	2.5
Operating temperature (C)	-40 ~ +85

Temperature Characteristics



Operating voltage vs. Discharge current(voltage at 50% discharge depth)

