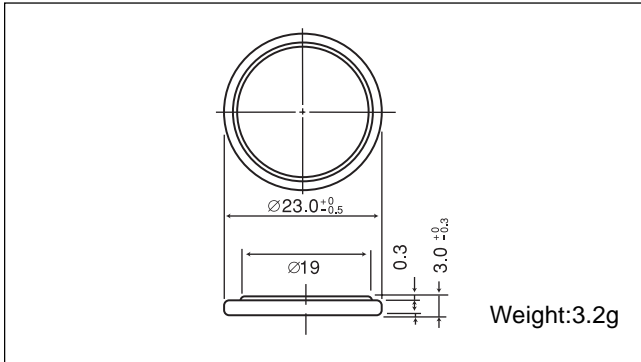


Poly-carbonmonofluoride Lithium Coin Batteries: Individual Specifications

BR2330

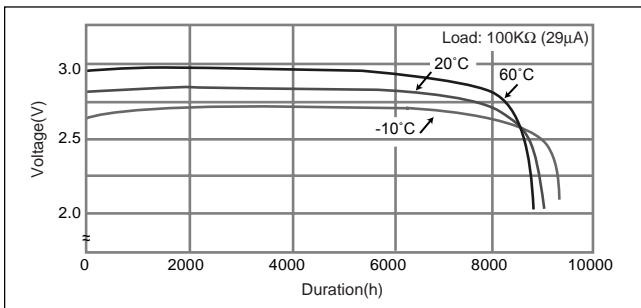
Dimensions(mm)



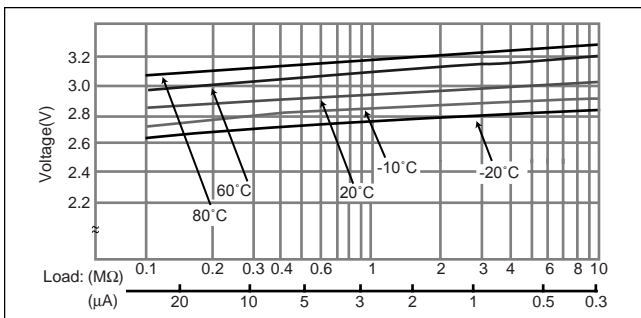
Specification

Nominal voltage (V)	3
Nominal capacity (mAh)	255
Continuous standard load (mA)	0.03
Operating temperature (C)	-30 ~ +80

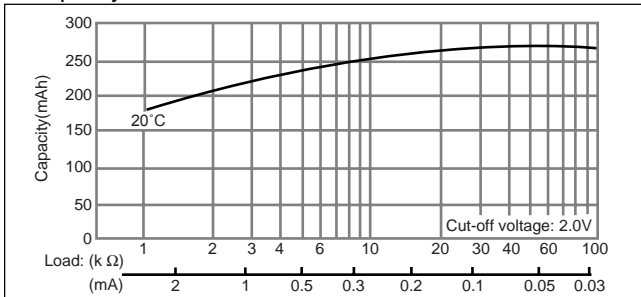
Temperature Characteristics



Operating voltage vs. load resistance(voltage at 50% discharge depth)

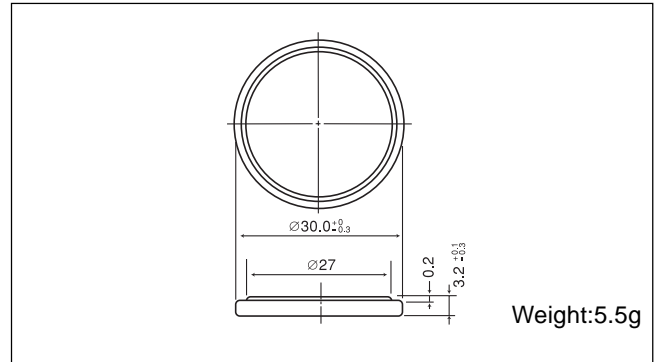


Capacity vs. load resistance



BR3032

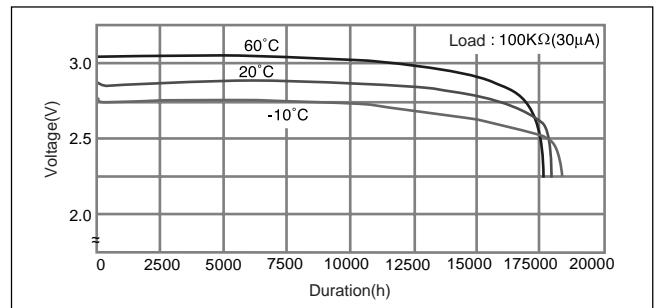
Dimensions(mm)



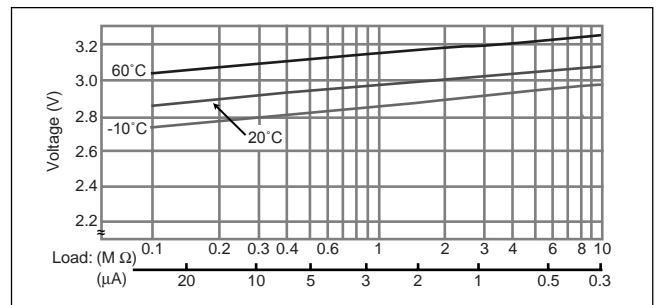
Specification

Nominal voltage (V)	3
Nominal capacity (mAh)	500
Continuous standard load (mA)	0.03
Operating temperature (C)	-30 ~ +80

Temperature Characteristics



Operating voltage vs. load resistance(voltage at 50% discharge depth)



Capacity vs. load resistance

