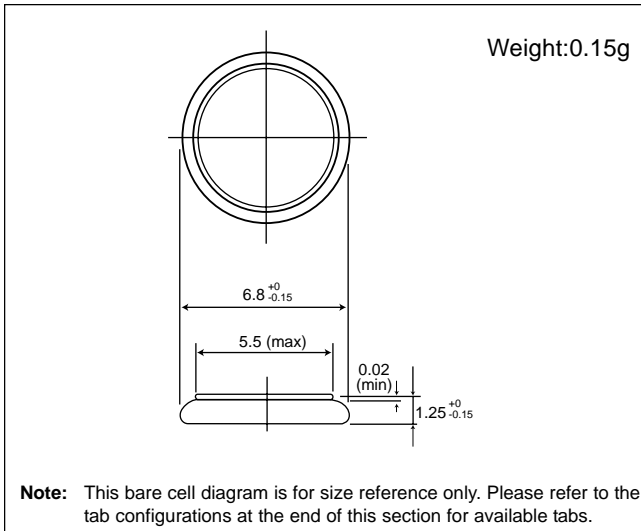


# Manganese Lithium Coin Batteries (ML series): Individual Specifications

## ML612S

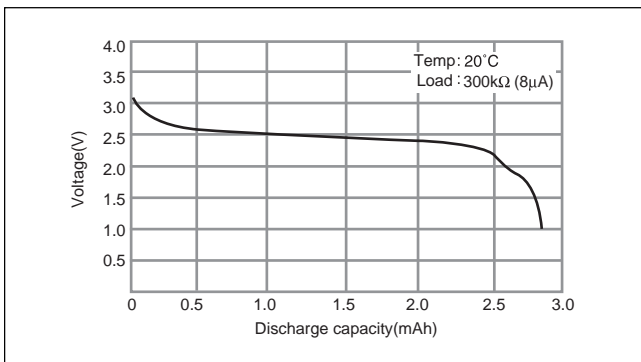
Dimensions(mm)



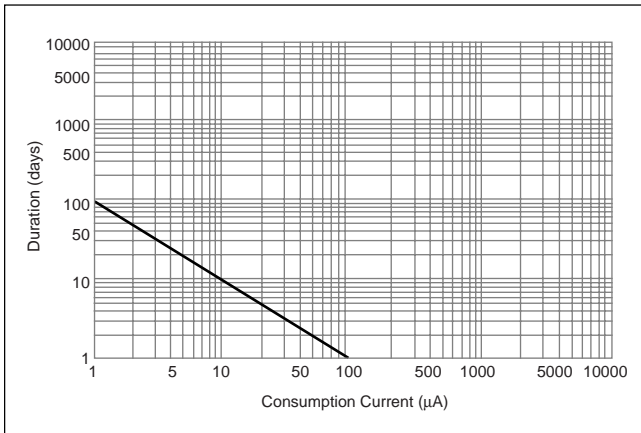
Specification

Nominal voltage (V)	3
Nominal capacity (mAh)	2.6
Continuous standard load (mA)	0.01
Operating temperature (C)	-20 ~ +60

Discharge characteristics

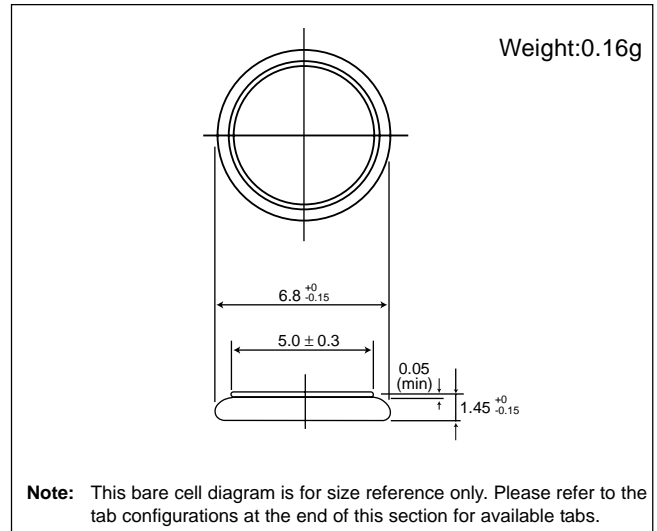


Consumption current vs. Duration time



## ML614S

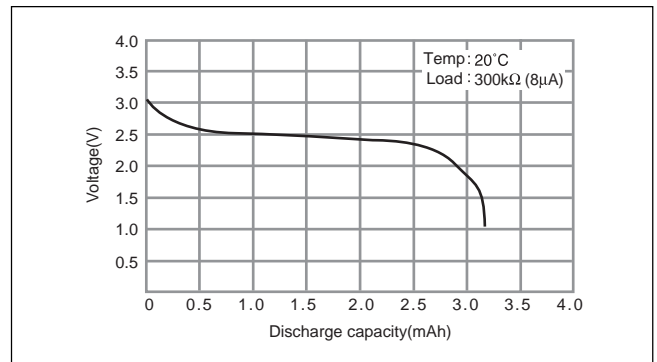
Dimensions(mm)



Specification

Nominal voltage (V)	3
Nominal capacity (mAh)	3.4
Continuous standard load (mA)	0.01
Operating temperature (C)	-20 ~ +60

Discharge characteristics



Consumption current vs. Duration time

