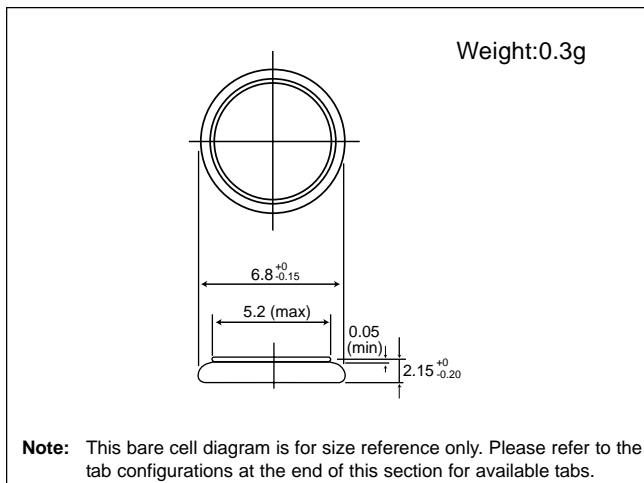


# Vanadium Pentoxide Lithium Coin Batteries (VL Series): Individual Specifications

## VL621

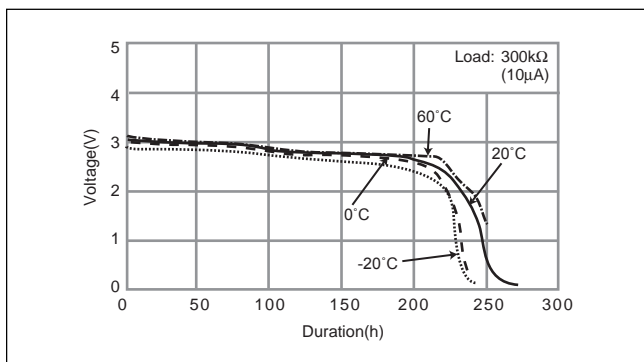
Dimensions(mm)



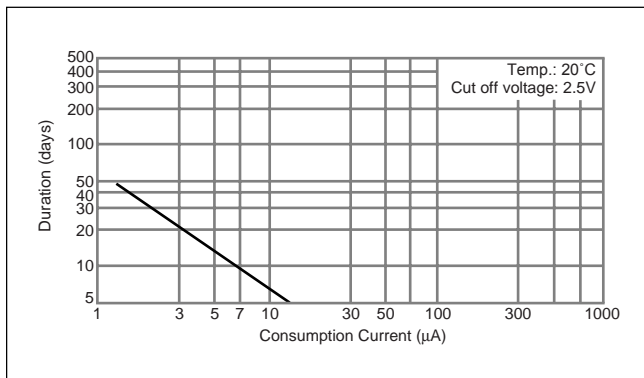
Specification

Nominal voltage (V)	3
Nominal capacity (mAh)	1.5
Continuous standard load (mA)	0.01
Operating temperature (C)	-20 ~ +60

Discharge Temperature Characteristics

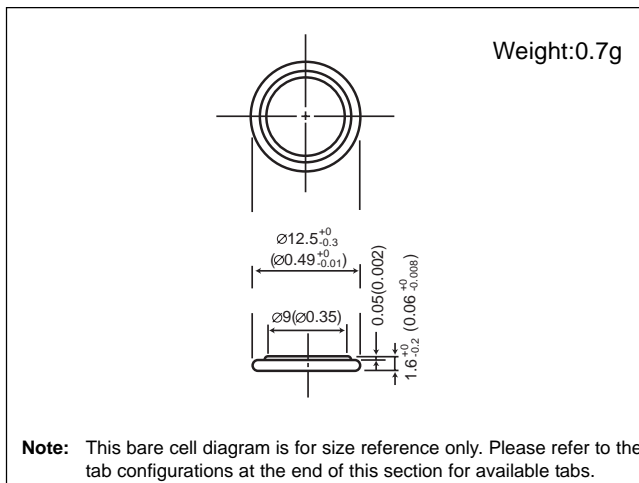


Consumption current vs. Duration time



## VL1216

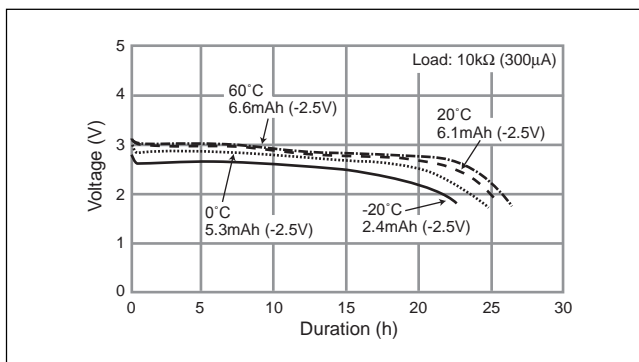
Dimensions(mm)



Specification

Nominal voltage (V)	3
Nominal capacity (mAh)	5.0
Continuous standard load (mA)	0.03
Operating temperature (C)	-20 ~ +60

Discharge Temperature Characteristics



Consumption current vs. Duration time

