

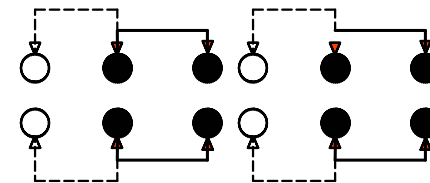
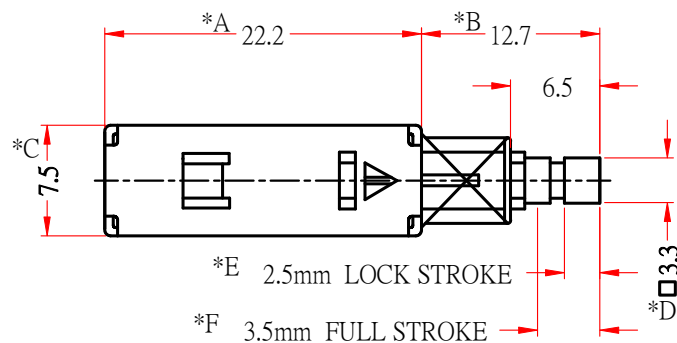
1

2

3

4

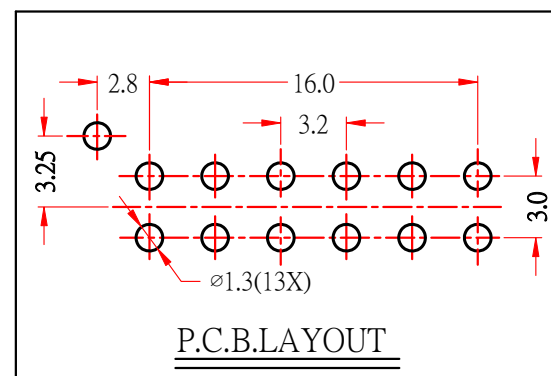
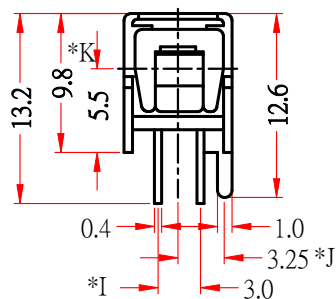
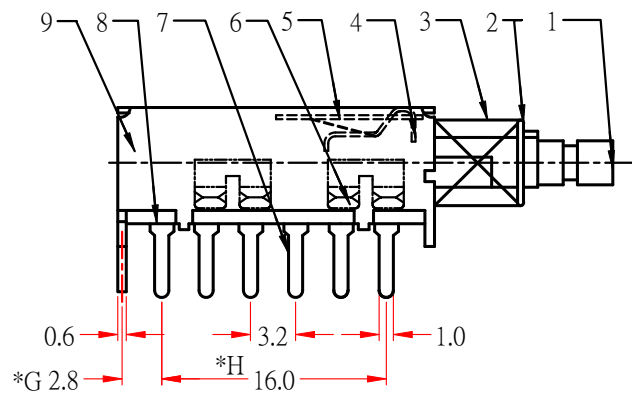
A



A

B

B

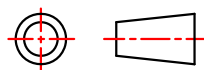


C

\* CRITICAL DIMENSION

D

CHI FUNG ELECTRONICS CO.,LTD.



9	FRAME	STEEL STRIP	1	Ni COATING
8	BASE	PHENOLIC RESIN	1	YELLOW
7	TERMINAL	BRASS	12	Ag COATING
6	CONTACT	C5210R-EH	4	Ag CLAD
5	SPRING PLATE	PBS	1	WASHING
4	CAM STICK	PBS WIRE	1	WASHING
3	SPRING	SUS	1	Ni COATING
2	LOCK PLATE	STEEL STRIP	1	Ni COATING
1	KNOB	POM	1	YELLOW
NO.	PART NAME	MATERIAL	QTY	FINISHING

D

SERIES : PUSH SWITCH

DRAWING NO: CF-ENL-PS4091

PART NAME: PS-42F42L(LOCKABLE)

GENERAL TOLERANCE

UNIT : M M

DWN.

WITHIN 0.XXmm+Q.15mm

SCALE : 4:1

CHK'D

OVER 0.Xmm+Q.25mm

REV : A/0

APPD.

1

2

3

4