

1

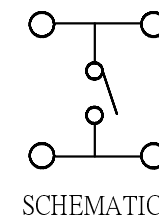
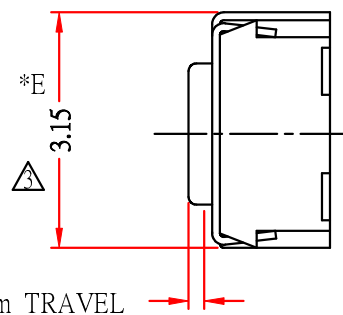
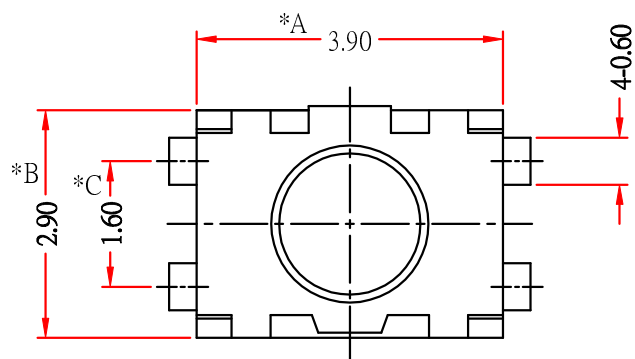
2

3

4

REVISION

POSITION	DESCRIPTION	DATE
	From Yellow Change to Natural	2007-09-18
	Add Table	2007-11-01
	From 3.00mm change to 3.15mm	2010-08-20



*F
0.20±.10mm TRAVEL

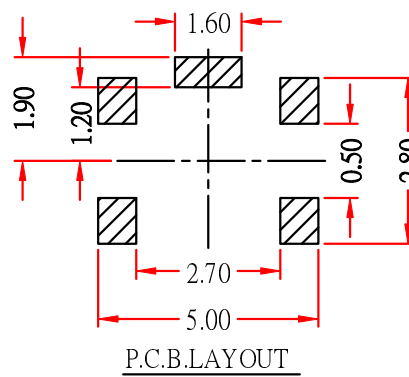
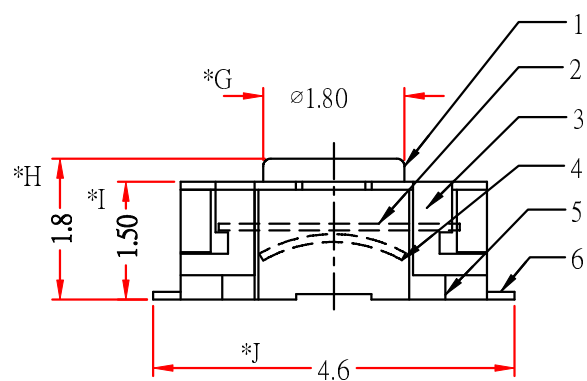
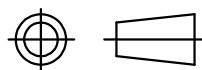


Table: Operation Force

F= (force)	1	100gf
	2	160gf
	3	250gf
	4	400gf

* CRITICAL DIMENSION

CHI FUNG ELECTRONICS CO.,LTD.



7				
6	TERMINAL	BRASS	4	Ag COATING
5	CASE	LCP	1	WHITE
4	CONTACT	SUS	2	Ag CLAD
3	COVER	SUS	1	NATURAL
2	SCREEN	SILICON FILM	1	NATURAL
1	STEM	PA6T	1	WHITE
NO.	PART NAME	MATERIAL	QTY	FINISHING

SERIES : TACT SWITCH

DRAWING NO: CF-ENL-TS4465

PART NAME: TS-1185-F

GENERAL TOLERANCE

UNIT : M M

DWN.

X.XXmm±.15mm

SCALE : 5:1

CHK'D

X.Xmm±.25mm

REV : A/3

APPD.

1

2

3

4