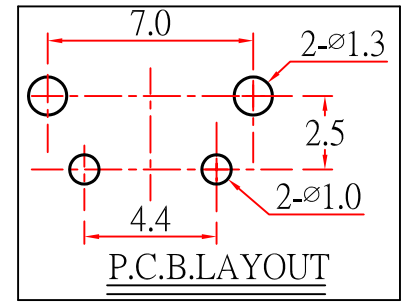
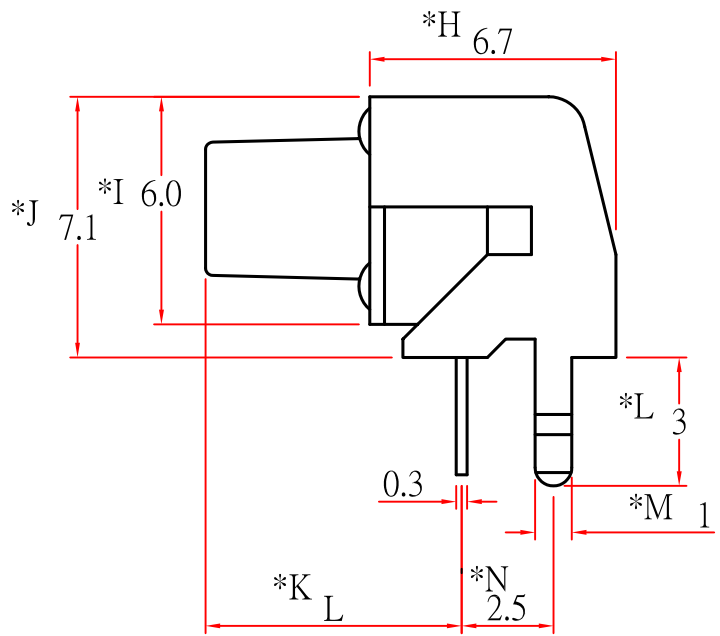
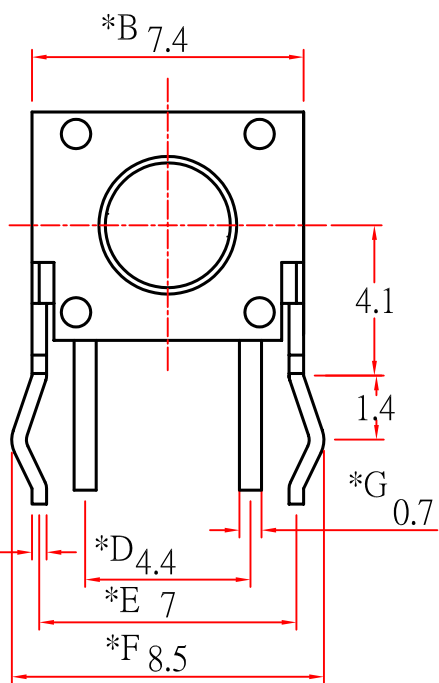


SCHEMATIC

L=	A	3.15 mm
	B	3.85 mm
	C	5.85 mm
	D	8.35 mm

F=	I	100 gf
	L	130 gf
	S	160 gf
	H	250 gf

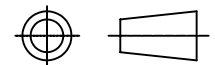
STEM COLOR	BLACK
	RED
	GREY



P.C.B.LAYOUT

* CRITICAL DIMENSION

CHI FUNG ELECTRONICS CO.,LTD.



7				
6				
5	TERMINAL	BRASS	2	Ag COATING
4	COVER	SPN STRIP	1	Ni COATING
3	CASE	PA66	1	BLACK
2	CONTACT	C5210R-EH	1	Ag CLAD
1	STEM	PA66	1	ABOVE
NO.	PART NAME	MATERIAL	QTY	FINISHING

SERIES : TACT SWITCH		DRAWING NO: CF-ENL-TS4154	
PART NAME: TS-28-LF		GENERAL TOLERANCE	
UNIT : M M	DWN.	WITHIN 0.XXmm±0.15mm OVER 0.Xmm±0.25mm	
SCALE : 5:1	CHK'D		
REV : A/1	APPD.		