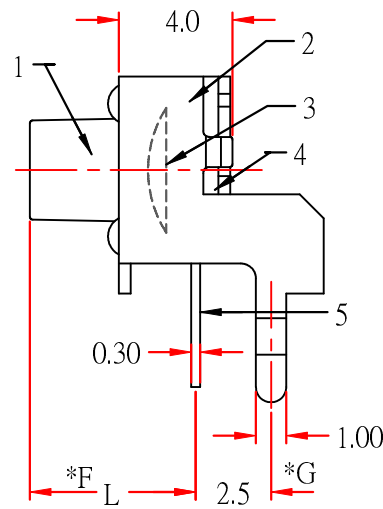
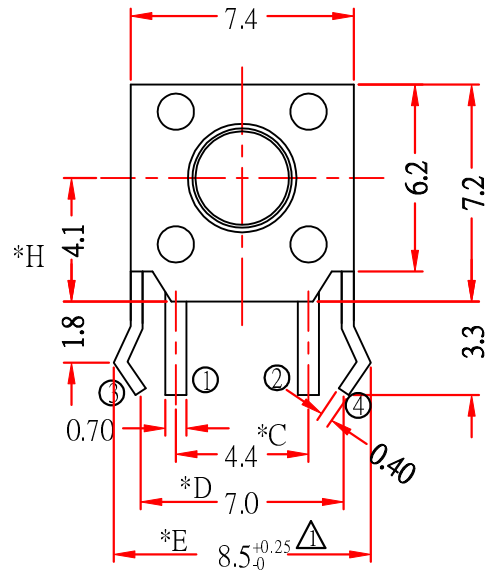


P.C.B.LAYOUT

SCHEMATIC



\* CRITICAL DIMENSION

REVISION		
POSITION	DESCRIPTION	DATE
△1	FROM 8.5±0.25mm CHANGE TO 8.5 <sub>0</sub> <sup>+0.25</sup> mm	2007-04-27
△2	Add table 1 (stem height)	2009-10-13
△3	Add table 3 (stem color)	2009-12-11

△ Table 1: stem height

L= (height)		
	■	A
	B	3.85 mm
	C	5.85 mm
	D	8.35 mm
	E	11.85 mm
	7.3	6.15 mm
	8	6.85 mm
	9	7.85 mm
	12.5	11.35 mm
	13.5	12.35 mm
	17	15.85 mm

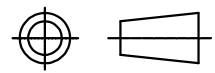
Table 2: operation force

F= (force)		
		I
	L	130 gf
■	S	160 gf
	H	250 gf

△ Table 3: stem color

C= (color)		
		■
	R	RED
	DG	GRAY
	OR	ORANGE
	Y	YELLOW
	BR	BROWN

CHI FUNG ELECTRONICS CO.,LTD.



SERIES : TACT SWITCH		DRAWING NO: CF-ENL-TS4411-2		7			
PART NAME: TS-50-AS-2		GENERAL TOLERANCE		6			
UNIT : M M		DWN.		5		TERMINAL BRASS STRIP 2 Ag COATING	
SCALE : 5:1		CHK'D		4		CASE PA66 1 BLACK	
REV : A/3		APPD.		3		CONTACT C5210R-EH 1 Ag CLAD	
		WITHIN 0.XXmm±.15mm		2		COVER SPCC 1 Sn COATING	
		OVER 0.Xmm±.25mm		1		STEM PA66 1 BLACK	
				NO.		PART NAME MATERIAL QTY FINISHING	