

1

2

3

4

5

6

7

8

A

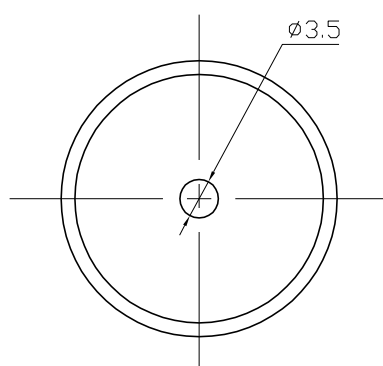
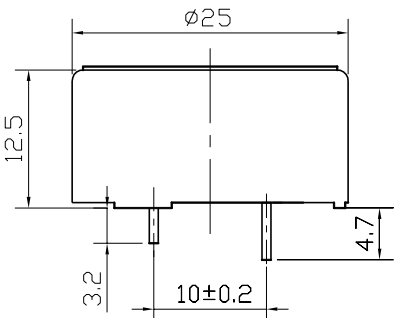
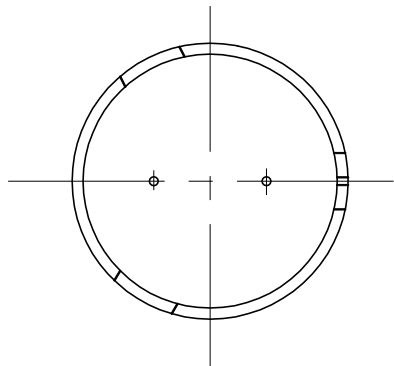
B

C

D

E

F



SPECIFICATION

- 1. Rated Voltage 5 V
- 2. Operating Voltage 4~8 V
- 3. Max. Rated Current 80mA
- 4. Coil Resistance 30±4 Ω
- 5. Coil Impedance 50 Ω
- 6. Min. Sound Pressure Level 85dB/10cm
- 7. Resonant Frequency 730Hz
- 8. Case Material PPO
- 9. Operating Temperature -20~+70℃
- 10. Store Temperature -30~+80℃
- 11. Weight 8g

				KEPO NINGBO KEPO IMPROVING ELECTRONIC CO.,LTD http://www.chinaacoustic.com	
				Magnetic Buzzer	
				KPM-2505A	
No.	DESCRIPTION	APPROVED	DATE		
TOLERANCES UNLESS NOTED OTHERWISE		APPROVALS		DATE	
.X ±		DRAWN		UNIT	
.XX ±		CHECKED		DWG NO.	
.XXX ±		APPROVED		mm KP3.843.685	
90° FORMED ±2°				SCALE	
ANGLES ±1°				NOT TO SCALE	
FIRST ANGLE PROJECTION				SHEET	
				VER 1.1	
		04.07.02		SCALE	
				NOT TO SCALE	

1

2

3

4

5

6

7

8