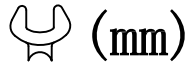


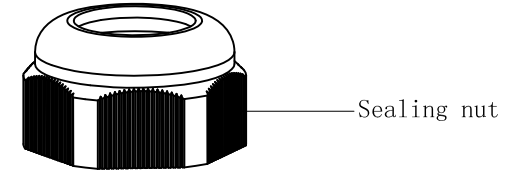
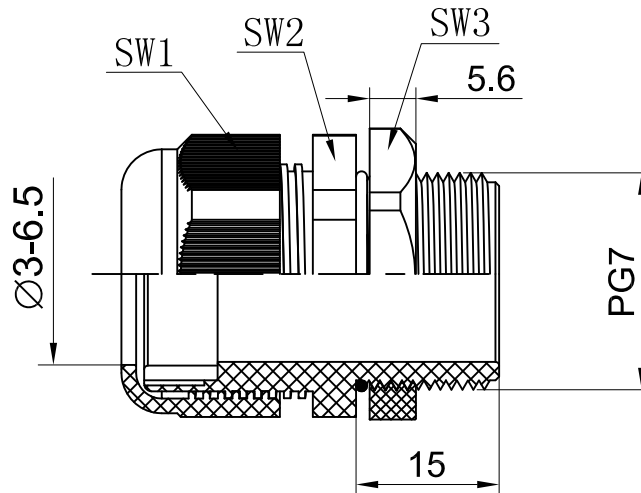
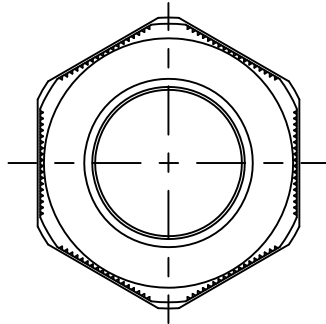
Plastics Cable gland



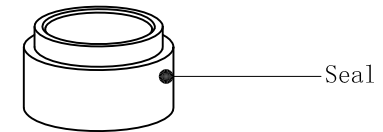
REVISION RECORD

REV	ECN	DESCRIPTION	DRFT	DATE

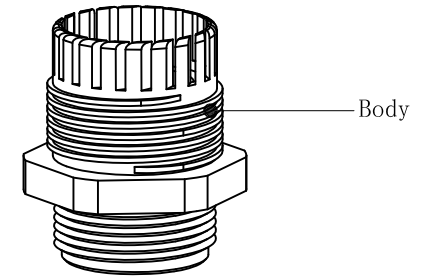
PG thread	Claping range (∅)	SW1	SW2	SW3
PG7	3-6.5	15.7	15.8	17.6



Sealing nut



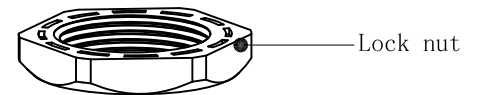
Seal



Body

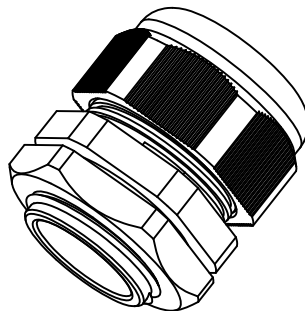


O-Ring



Lock nut

Plastics Cable gland
 Material:Nylon
 Seal Material:NBR
 Degree of protection:IP68
 Temperature range:-40~100°C
 Color:Black



DETACHED LISTS	PART NO.:	/			宁波高松电子有限公司 NINGBO DEGSON ELECTRICAL CO., LTD
	APPD:	NAME:			
	CHKD:	DDL-PG7PL-01AH			
	DRFT: Mr. Yang2016.08.18	TITLE: CUSTOMER DRAWING	REV	D0-1	
	THIRD ANGLE PROJECTION	DRAWING NO.:	SHEET	1/1	
	MM (INCH)	DO NOT SCALE DRAWING	SCALE		