

MZ (CD26G)



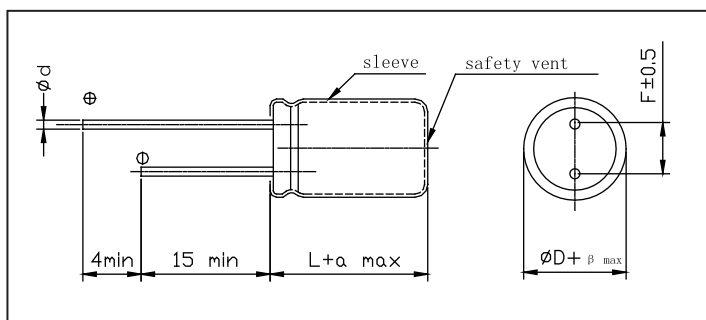
- ⊙ High Ripple Current High Temperature , extremely Long Life, Life time 105°C 3000 hours
- ⊙ Specially designed for electronic ballast and energy-save lamp .
- ⊙ Adapted to the ROHS directive (2002/95/EC) .

■ Specifications

Item	Performance Characteristics					
Operating temperature range	-40°C~ +105°C					
Rated voltage range	200 ~ 450V					
Nominal capacitance range	1~100μF					
Capacitance tolerance	± 20% (120Hz, +20°C)					
Leakage current	Rated voltage (V)	200~250			350~450	
	LC	0.01CV (μA) or 3μA 2 (at 20°C, after 2 minutes) (Whichever is greater)			0.06CV+10μA 1 (1 minute)	
Dissipation factor (tg δ) (+20°C, 120Hz)	U _R (V)	200	250	350	400	450
	tg δ	0.15	0.15	0.20	0.20	0.20
Load life (+130°C or 105°C)	After application of the rated voltage plus the rated ripple current at 105°C, the capacitors shall meet Time : 3000 hours Capacitance change : ±30% Initial measured value Leakage current : ≤ Initial specified value Dissipation factor : ≤ 3 times Initial specified value					
Shelf life (+125°C)	After leaving capacitors under no load at 105°C for 1000 hours, U _R to be applied for 30 minutes, capacitors shall meet the specified value for load life Characteristics listed above.					

■ Case size table

Unit: mm



D	8	10	12	16
F	3.5	5.0		7.5
d	0.5	0.6		0.8

α MAX	(L < 20) 1.5	β MAX	0.5
	(L ≥ 20) 2.0		

◇ Coefficient of allowable ripple current

$U_R(V)$	H_z Frequency $C_R(\mu F)$	120	1K	10~30K	30~100K
		200~250	3.3~100	0.55	0.85
350~450	1 ~ 47	0.5	0.8	0.9	1.00

■ Dimensions

ØD × L(mm)

U_R $C_R(\mu F)$	Code	200V		250V		350V		400V		450V	
		2D		2E		2V		2G		2W	
1	010					8×12	50	8×12	60	8×12	70
1.8	1R8					8×12	58	8×12	68	10×12	78
2.2	2R2					8×12	60	10×12	70	10×12	80
								8×12			
3.3	3R3			8×12	70	10×12	75	10×16	85	10×16	95
4.7	4R7			8×12	90	10×16	115	10×20	125	10×20	135
				10×12				10×16			
6.8	6R8			8×16	99	10×12	140	10×20	150	12×20	160
8.2	8R2			10×16	110	12×20	250	12×20	200	13×20	270
10	100	8×16	235	10×20	150	12×20	250	12×20	230	13×20	270
		10×16		10×16							
15	150	10×20	235	10×20	250	13×20	260	13×25	270	13×25	280
22	220	10×20	235	12×20	280	13×25	270	13×25	280	16×25	290
33	330	13×20	300	13×20	320	16×25	290	16×30	300	16×30	310
				12×25							
47	470	13×20	300	13×25	320	16×30	355	16×35	365	16×35	375
		12×25		16×30							
68	680	16×25	365	16×25	375						
100	101	16×30	600	16×30	620						

Rated ripple current (mA,+105°C ,100KHz)