

FZ (CD26GH)



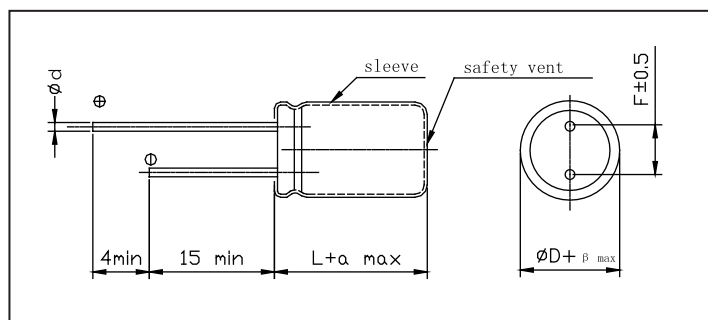
- ◎ High Ripple Current High Temperature , extremely Long Life, Life time 105°C 5000~ 8000 hours.
- ◎ Specially designed for electronic ballast and energy-save lamp..
- ◎ Adapted to the ROHS directive (2002/95/EC) .

Specifications

Item	Performance Characteristics					
Operating temperature range	-40°C~ +105°C					
Rated voltage range	200 ~ 450V					
Nominal capacitance range	1~100μF					
Capacitance tolerance	± 20% (120Hz, +20°C)					
Leakage current	Rated voltag	200~250		350~450		
	LC	0.01CV (μA) or 3μA (at 20°C,after 2 minutes) (Whichever is greater)		0.06CV+10μA (1 minute)		
Dissipation factor (tg δ) (+20°C, 120Hz)	U _R (V)	200	250	350	400	450
	tg δ	0.10	0.10	0.10	0.10	0.12
Load life (+130°C or 105°C)	After application of the rated voltage plus the rated ripple current at 105°C, the capacitors shall meet Time : 5000 hours Capacitance change : ±30% Initial measured value Leakage current : ≤ Initial specified value Dissipation factor : ≤ 3 times Initial specified value					
Shelf life (+125°C)	After leaving capacitors under no load at 105°C for 1000 hours, U _R to be applied for 30 minutes, capacitors shall meet the specified value for load life Characteristics listed above.					

Case size table

Unit: mm



D	8	10	12	16、18、19
F	3.5	5.0		7.5
d	0.5	0.6		0.8

αMAX	(L<20) 1.5	βMAX	0.5
	(L≥20) 2.0		

Bi-polar

◇ Coefficient of allowable ripple current

$U_R(V)$	$C_R(\mu F)$	Frequency			
		120	1K	10~30K	30~100K
200~250	3.3~100	0.55	0.85	0.95	1.00
350~450	1 ~ 47	0.5	0.80	0.9	1.00

■ Dimensions

$C_a(\mu F)$	U_R Code	200V		250V		350V		400V		450V	
		2D		2E		2V		2G		2W	
1	010					8x12	53	8x12	65	8x12	75
1.8	1R8					10x12	60	10x12	70	10x12	80
2.2	2R2					8x12 10x12	65	10x12	75	10x12	85
3.3	3R3			8x12	75	10x12	80	10x16 8x12	90	10x16	100
4.7	4R7			8x16 10x12	95	10x16	115	10x20 10x16	130	10x20	140
6.8	6R8			8x16	102	10x20	142	10x20 12x20	155	12x20	165
8.2	8R2			10x16	112	12x20	250	12x20	160	13x20	270
10	100	10x16	235	10x20 10x16	250	12x20	250	13x20 12x20	260	13x20	270
15	150	10x20	235	10x20	250	13x20	260	13x25	270	13x25	280
22	220	10x20	240	13x20	285	13x25	275	16x25	185	16x25	295
33	330	13x20 10x24	300	13x25 12x25	320	16x25	300	16x30	310	16x30	320
47	470	13x20 12x25	310	16x25	330	16x30	350	16x35 16x30	375	18 (19) x35	380
68	680	16x25	380	16x25	400						
100	101	16x30	640	16x30	680						

Rated ripple current (mA,+105°C ,100KHz)