

FE 105°C (CDSH)



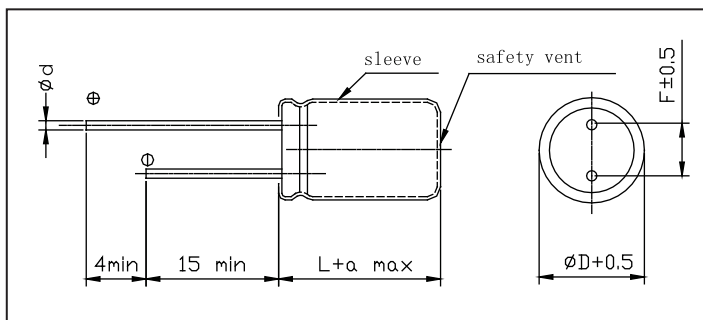
- ⊙ Non-polarized, Small loss at high frequency, Use for S correction of horizontal deflection current in TVs.
- ⊙ Adapted to the ROHS directive (2002/95/EC).

Specifications

Item	Performance Characteristics
Operating temperature range	-25°C~ +105°C
Rated voltage range	25 ~ 100 V
Nominal capacitance range	1 ~ 15μF
Capacitance tolerance	± 10% (120Hz, +20°C)
Leakage current	I ≥ 100 μA 2 (2 minutes)
(tg δ) Dissipation factor (+20°C, 120Hz)	tg δ ≤ 0.05
Load life	After 1000 hours application of DC 12V on which the specified allowable ripple current is superimposed at 85°C, and then resumed 16 hours: Capacitance change : ±20% Initial measured value Leakage current : ≤ Initial specified value Dissipation factor : ≤ 2 times Initial specified value
Shelf life	After storage for 1000 hours at +105°C and then resumed 16 hours Capacitance change : ±20% Initial measured value Leakage current : ≤ 2 times Initial specified value Dissipation factor : ≤ 2 times Initial specified value

Case size table

Unit: mm



D	10	13	16
F	5.0		7.5
d	0.6		0.8

αMAX	(L<20) 1.5
	(L≥20) 2.0

Dimensions

C _R (μF)	Code	U _R		
		25V	50V	100V
1	010	1E	1H	2A
2.2	2R2	10x20	10x20	
3.3	3R3	13x20	13x25	
4.7	4R7	13x25	13x25	
6.8	6R8	13x25	16x25	13x25
10	100	16x25	16x31	
15	150	16x25	16x31	16x25
				16x31