

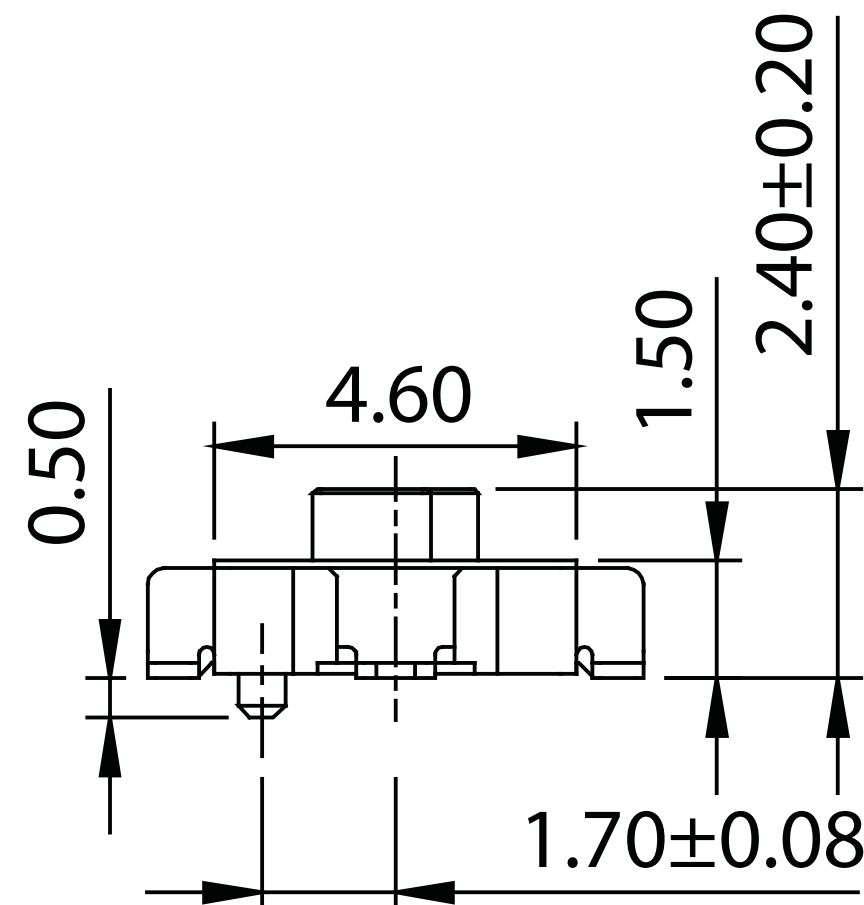
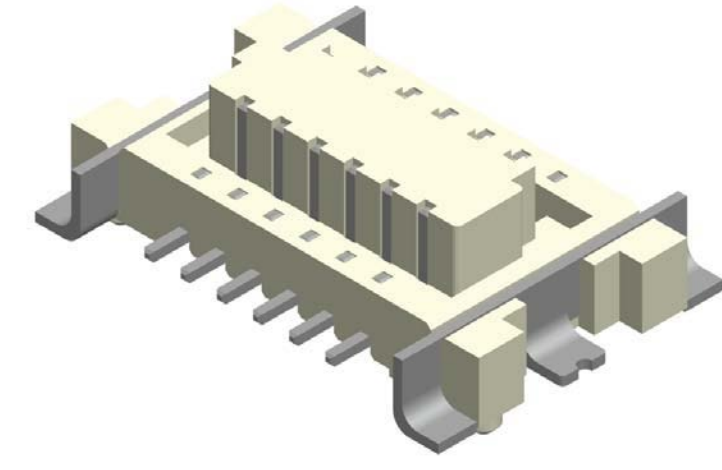
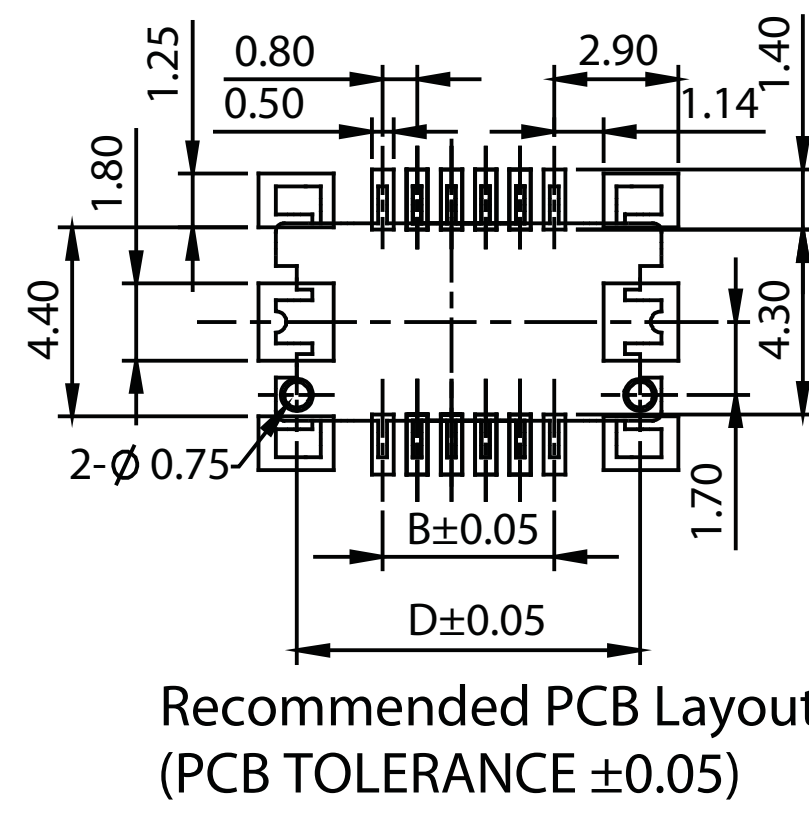
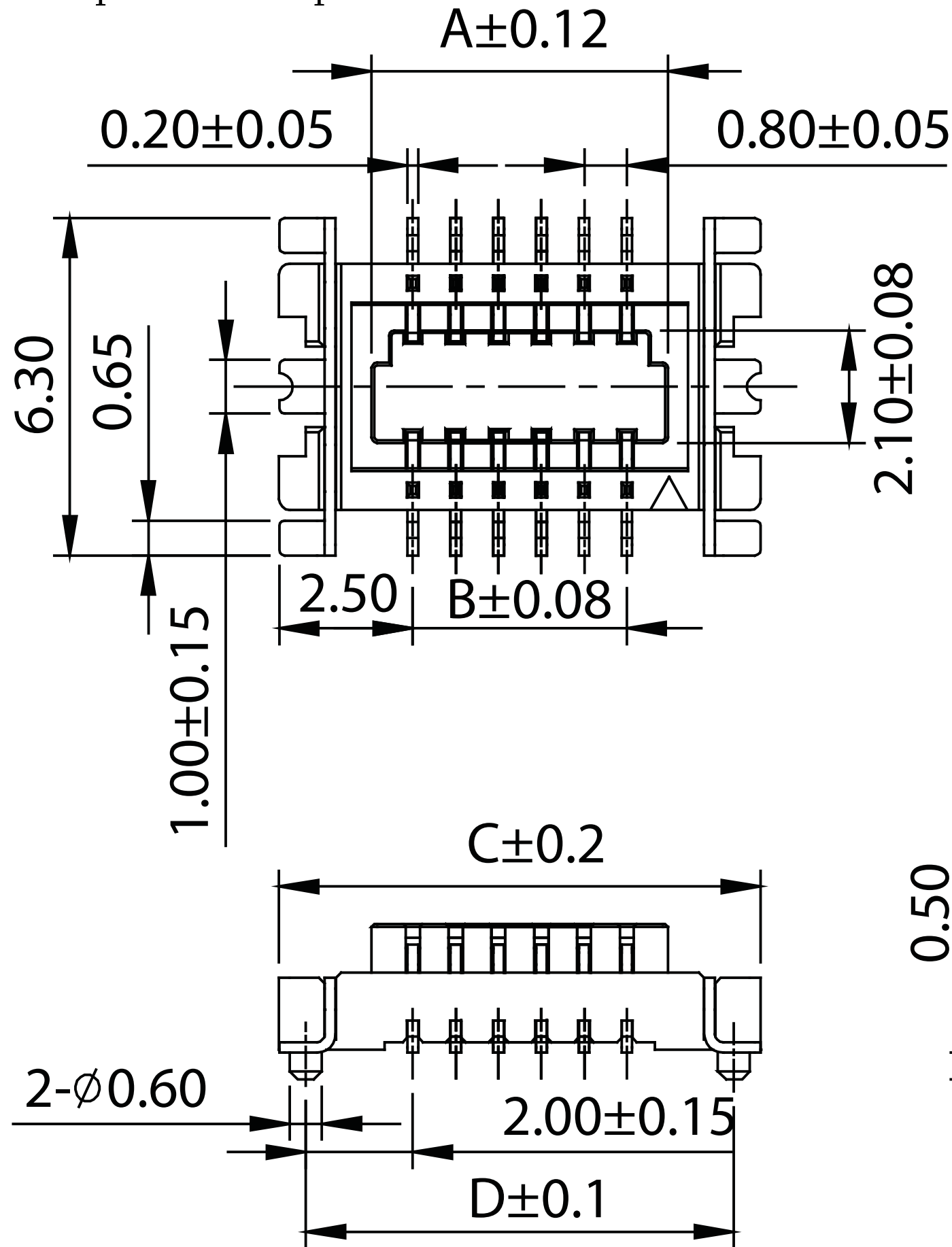
## Board To Board Male 0.8mm H=2.4mm

### SPECIFICATION

Current Rate:0.5 AMP  
 Insulation Resistance:500MΩ Min.  
 Contact Resistance:30mΩ Max.  
 Dielectric Voltage:50V AC for one minute  
 Operation Temperature:-20°C to +105°C

### MATERIAL

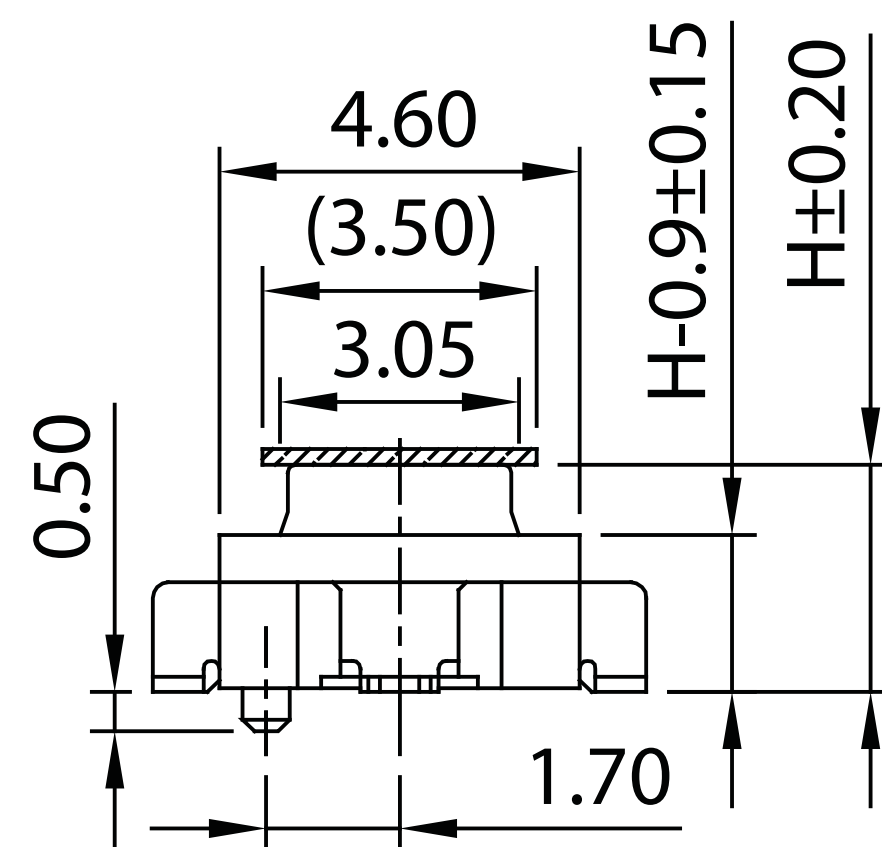
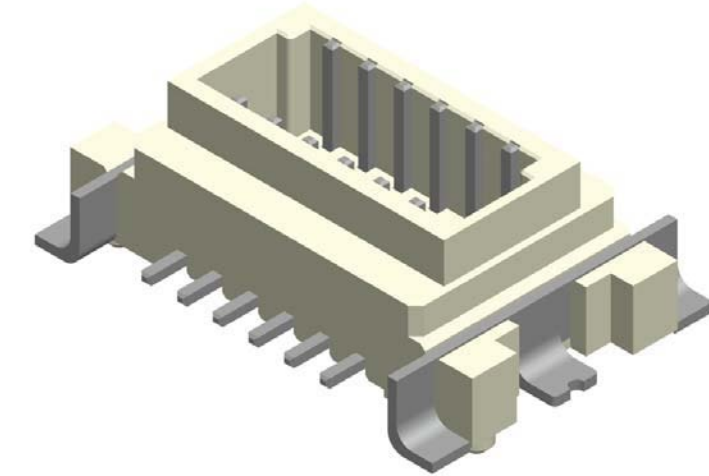
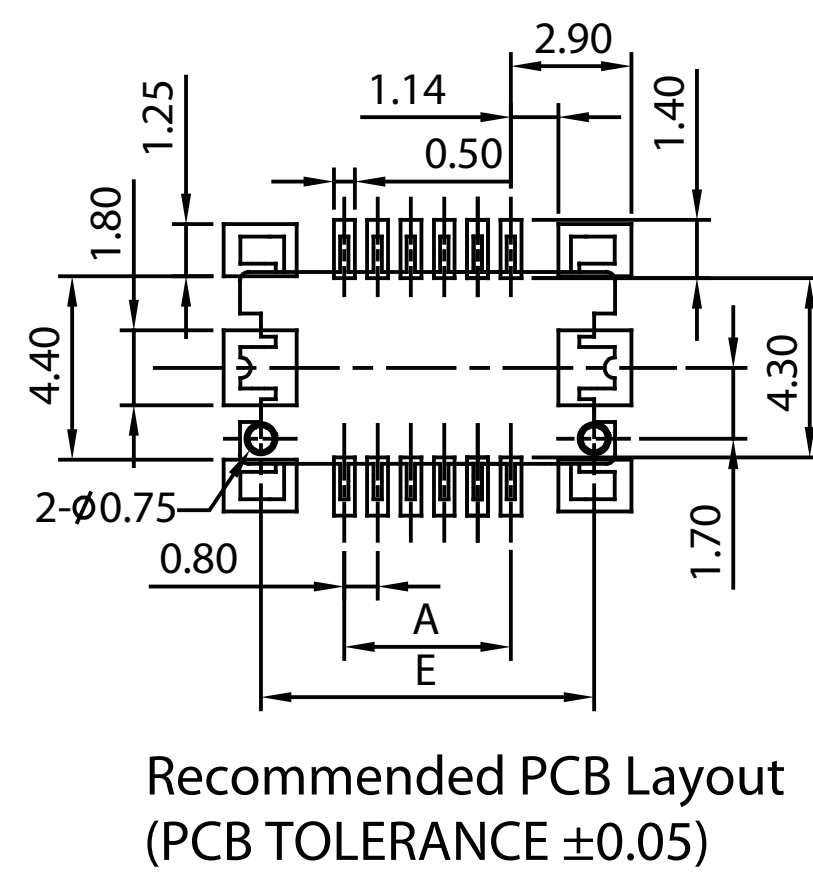
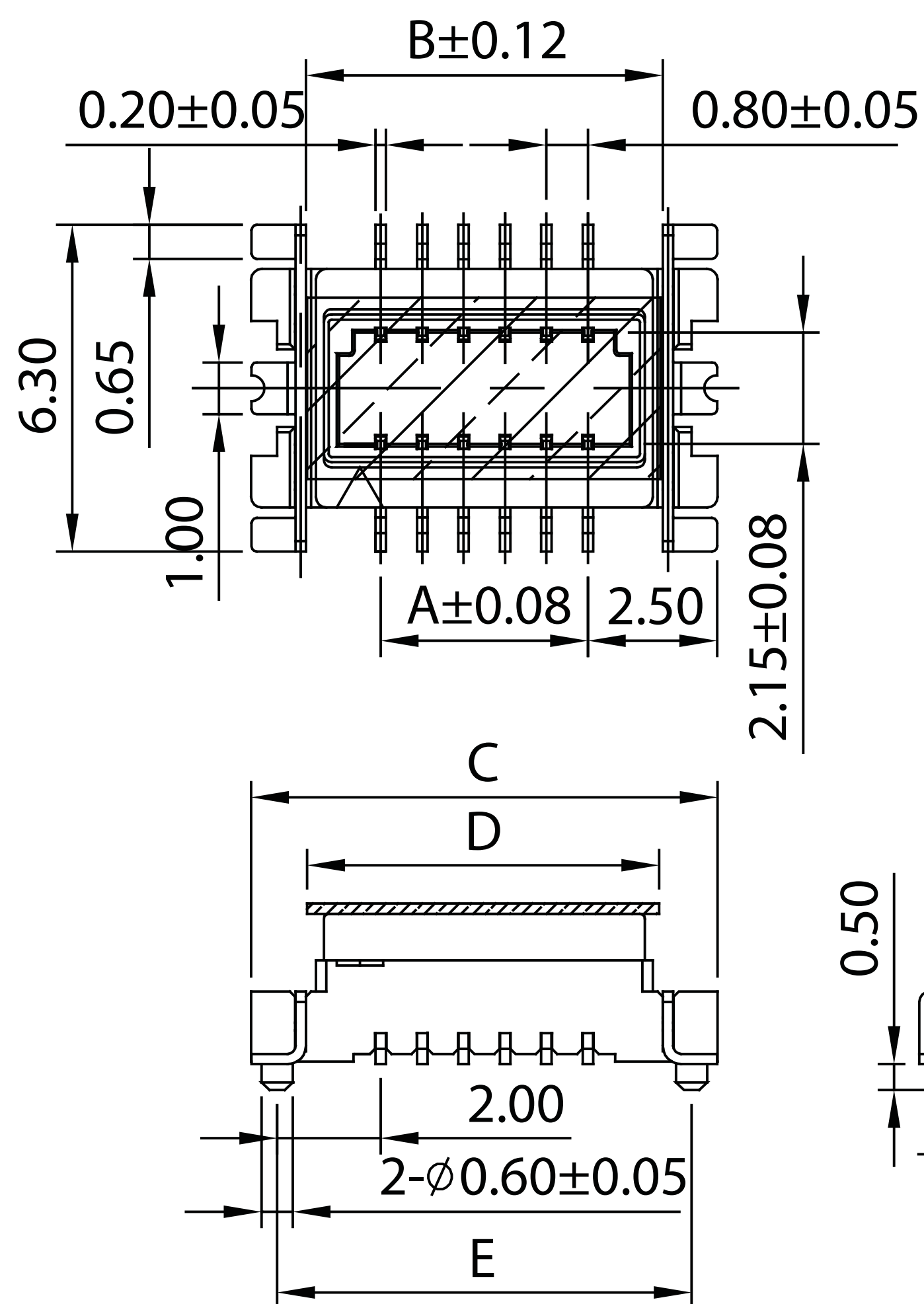
Insulator:Polyester,UL 94V-0  
 Standard:LCP  
 Contact Pin:Copper Alloy  
 Contact Plating:Nickel In All Area , Au/Tin Over Nickel



No. of Contacts	Dim. A	Dim. B	Dim. C	Dim. D
10	4.74	3.20	8.20	7.20
12	5.54	4.00	9.00	8.00
14	6.34	4.80	9.80	8.80
16	7.14	5.60	10.60	9.60
20	8.74	7.20	12.20	11.20
30	12.74	11.20	16.20	15.20

Part No.:BTB08MI24-XX-U

## Board To Board Female 0.8mm H=2.9/3.6mm



No. of Contacts	Dim. A	Dim. B	Dim. C	Dim. D	Dim. E
10	3.20	4.80	8.20	6.00	7.20
12	4.00	5.60	9.00	6.80	8.00
14	4.80	6.40	9.80	7.60	8.80
16	5.60	7.20	10.60	8.40	9.60
20	7.20	8.80	12.20	10.00	11.20
30	11.20	12.80	16.20	14.00	15.20

Part No.:BTB08FI 29/36-XX-U

## ORDER INFORMATION

