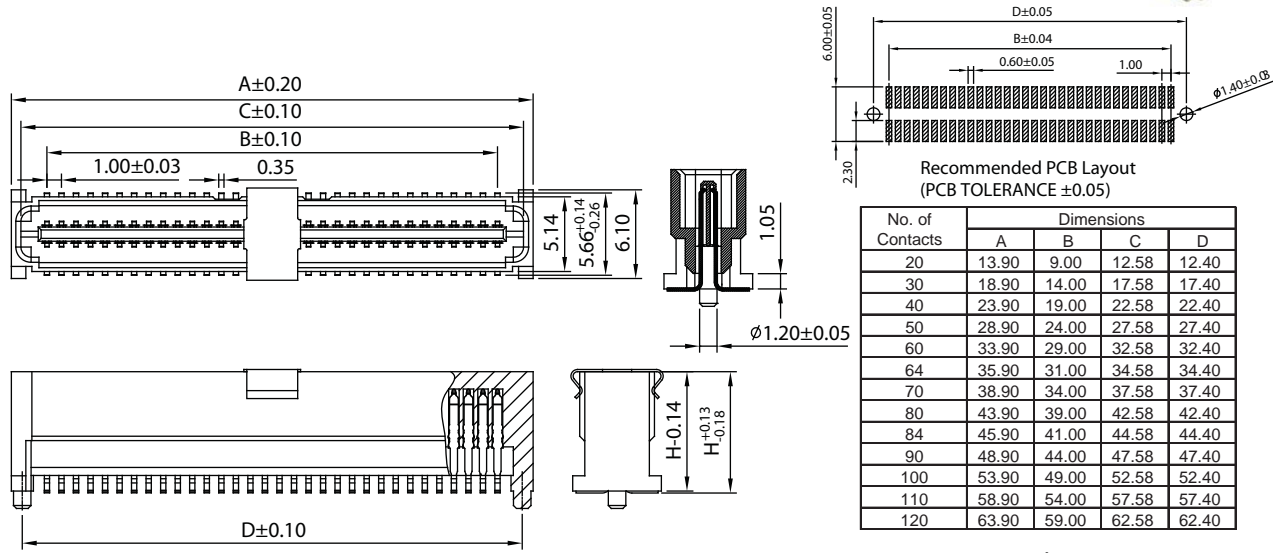
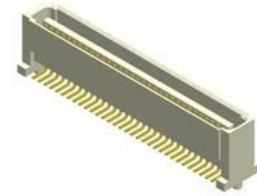


Board To Board Male 1.0mm H=6.35/8.35mm

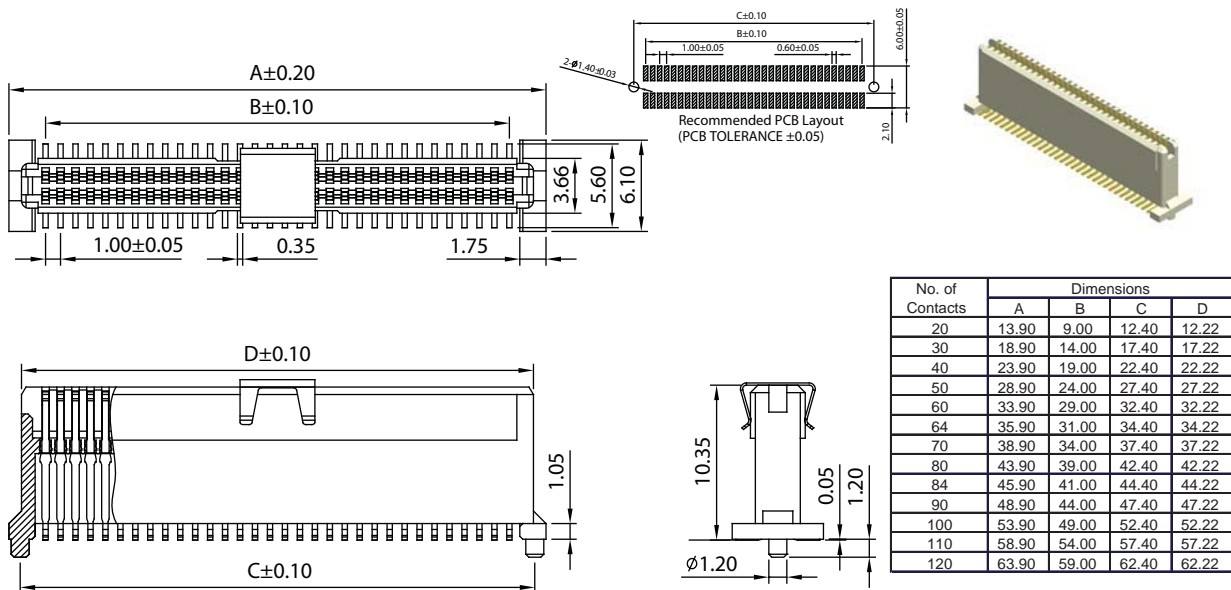
SPECIFICATION
 Current Rate:1.0 AMP
 Insulation Resistance:100MΩ Min.
 Contact Resistance:30mΩ Max.
 Dielectric Voltage:250V AC for one minute
 Operation Temperature:-40°C to +85°C

MATERIAL
 Insulator:Polyester,UL 94V-0
 Standard:LCP
 Contact Pin:Phosphor Bronze
 Contact Plating:Gold Flash all over



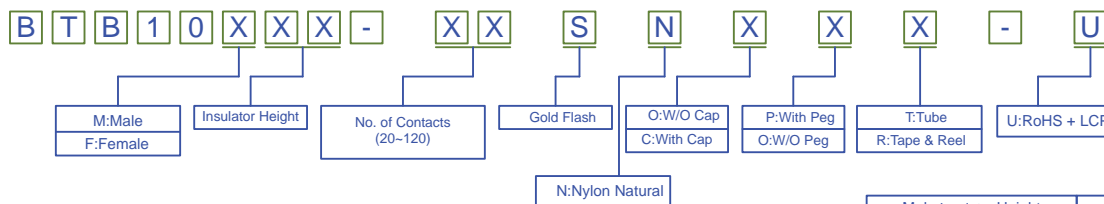
Part No.:BTB10M 64/84-XX-U

Board To Board Female 1.0mm H=10.3mm



Part No.:BTB10F103-XX-U

ORDER INFORMATION



Male Insulator Height	Female Insulator Height
64:Insulator Height H=6.35mm	103:Insulator Height =10.3mm
84:Insulator Height H=8.35mm	