

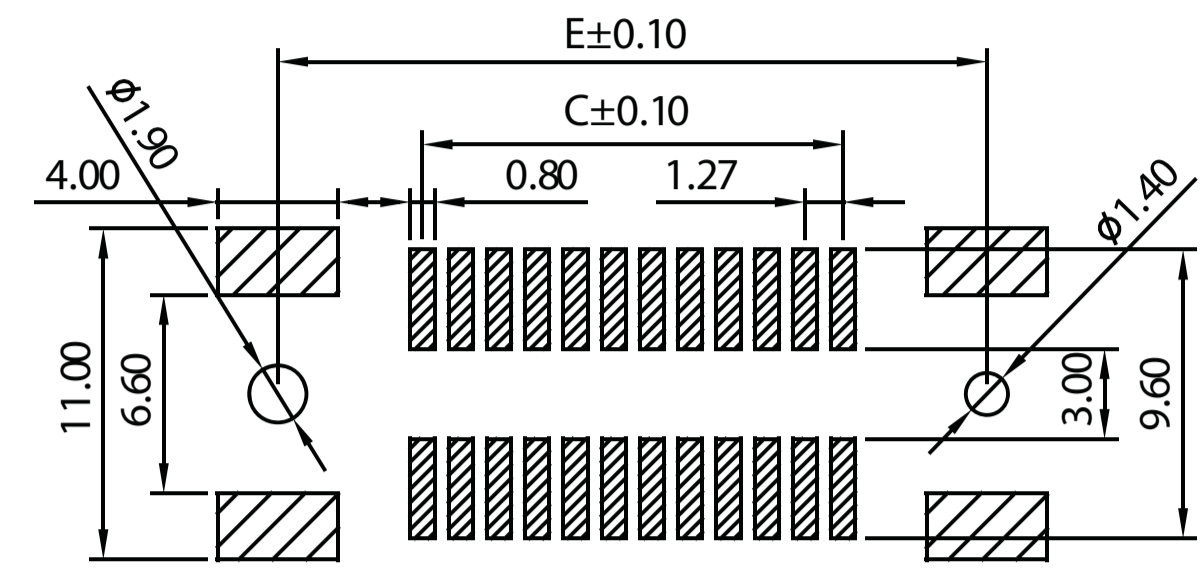
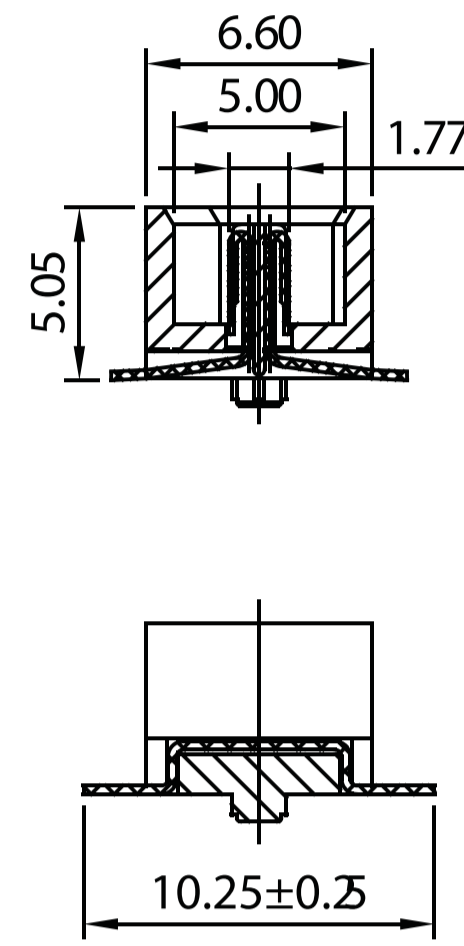
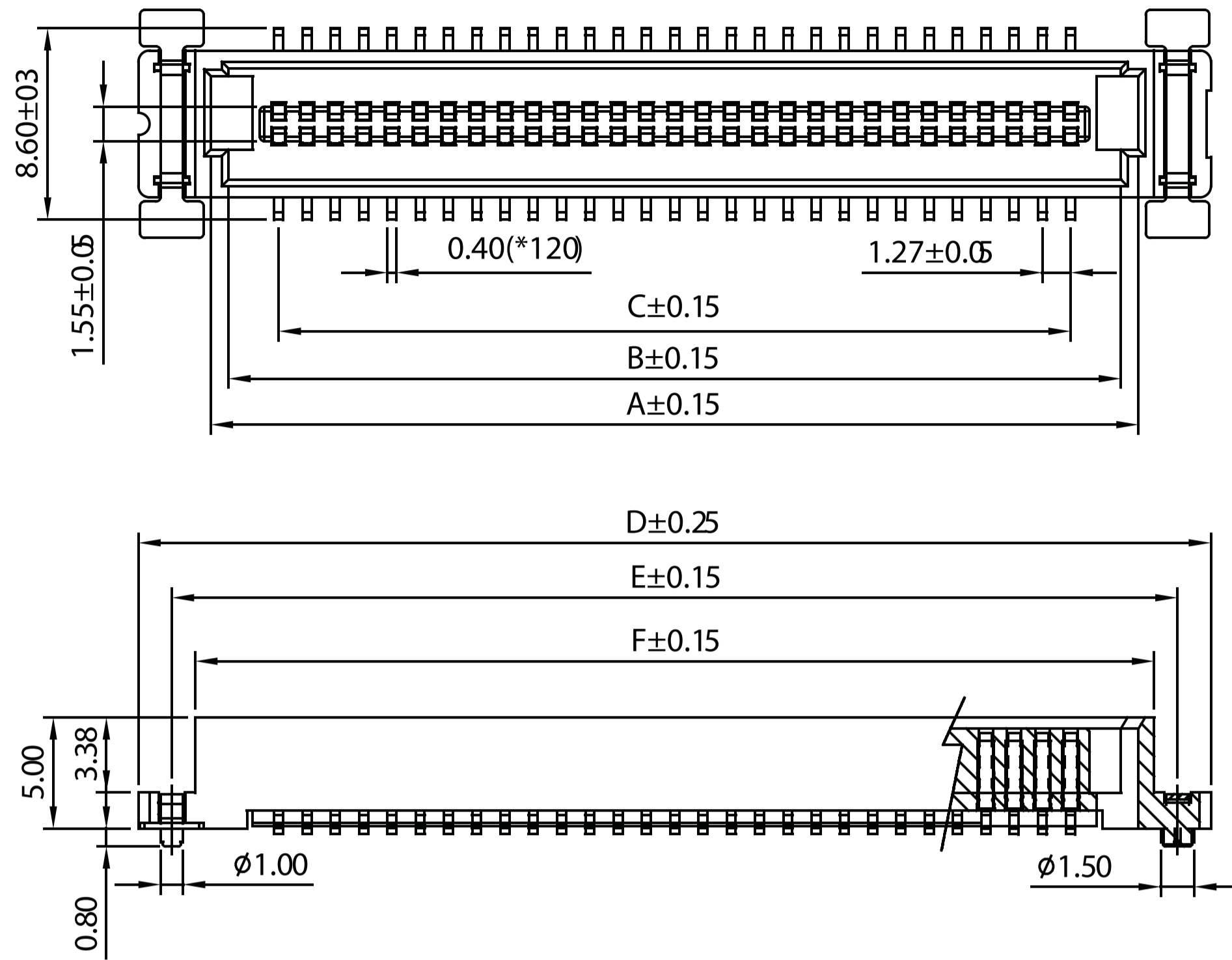
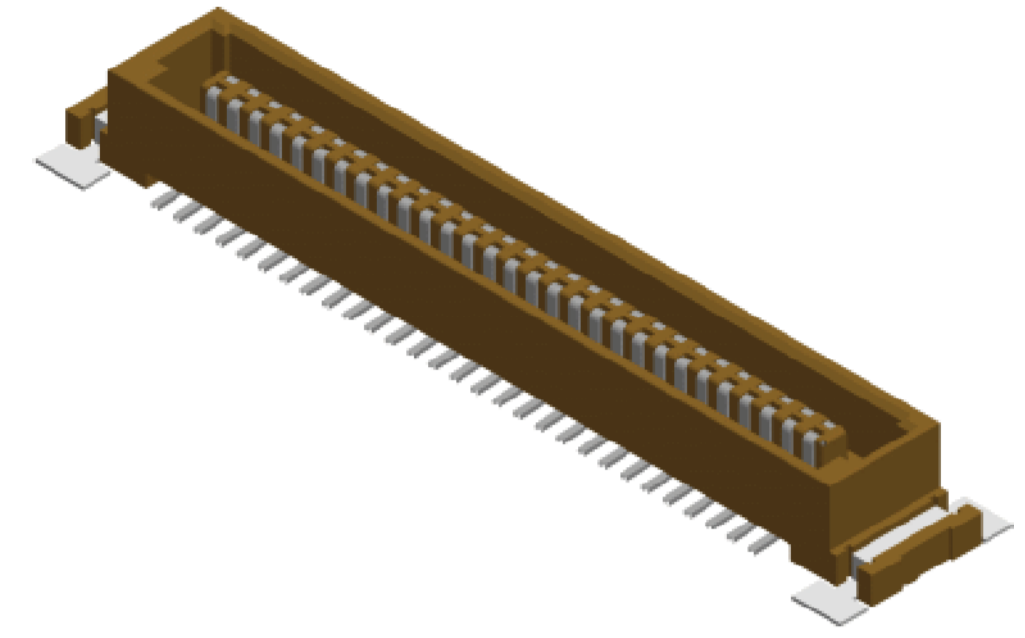
# Board To Board Male 1.27mm H=5.0mm

## SPECIFICATION

Current Rate:0.5 AMP  
 Insulation Resistance:1000MΩ Min.  
 Contact Resistance:40mΩ Max.  
 Dielectric Voltage:650V AC for one minute  
 Operation Temperature:-55°C to +85°C

## MATERIAL

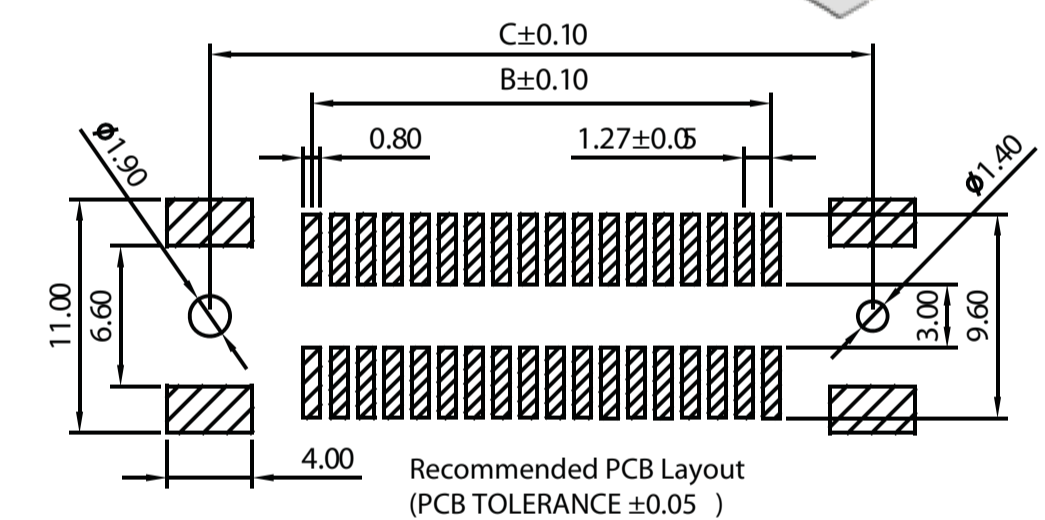
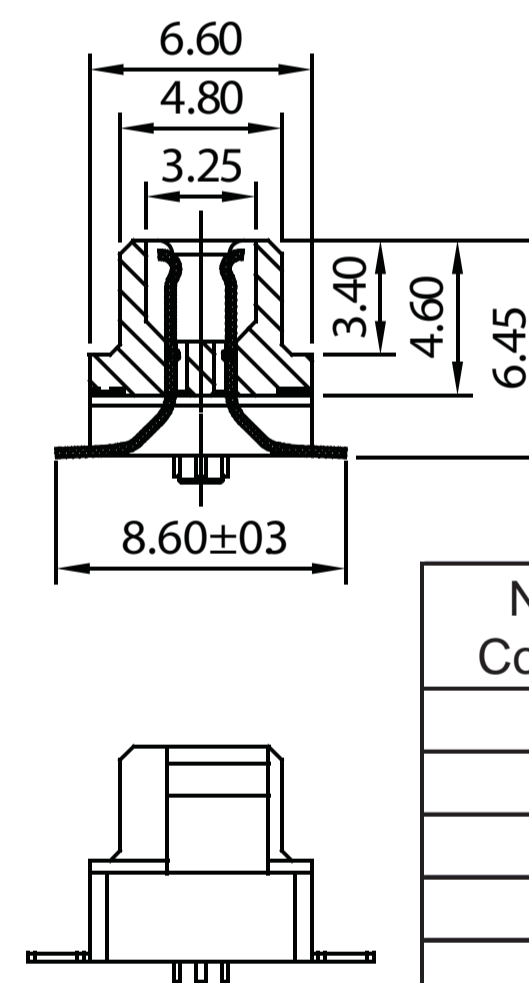
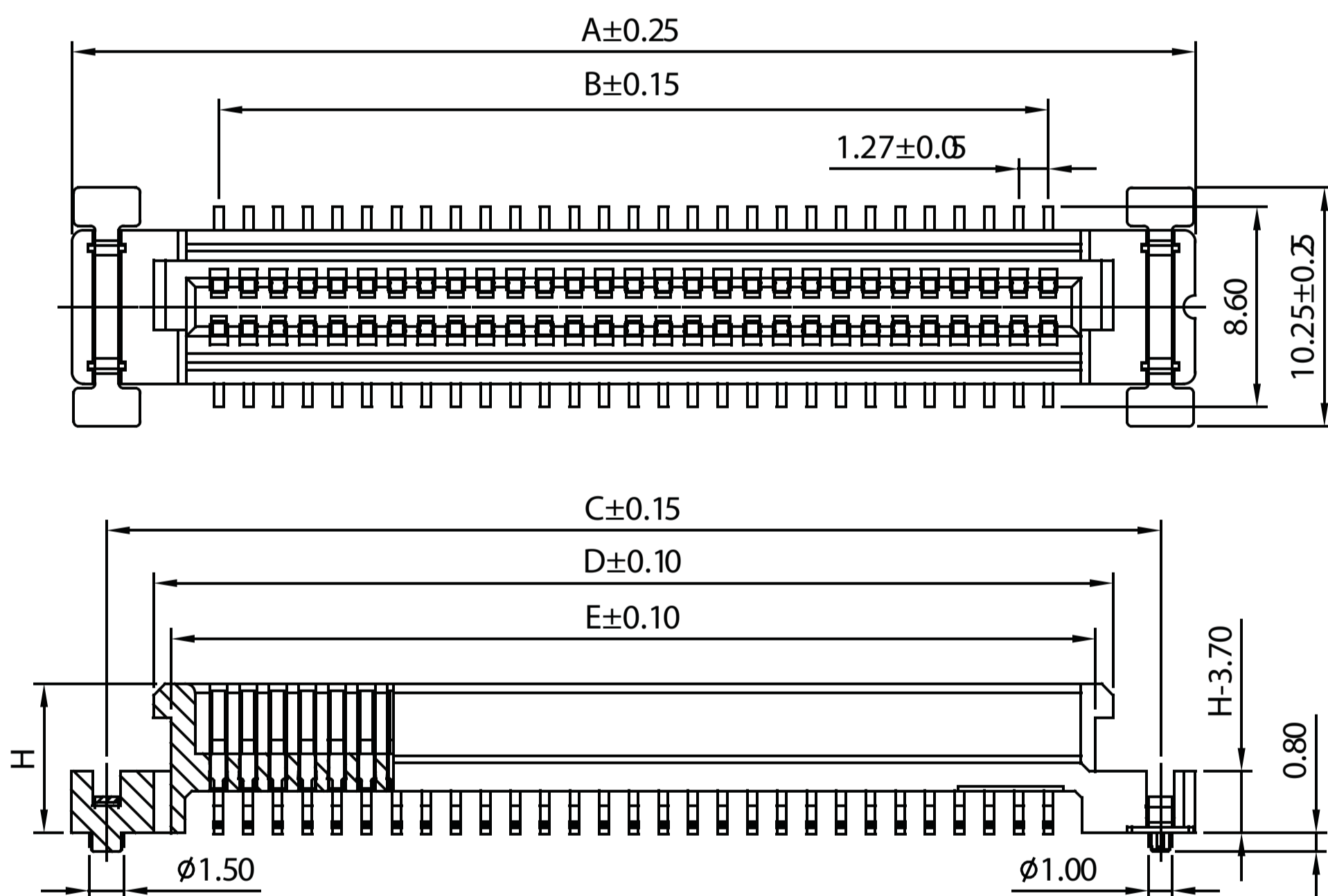
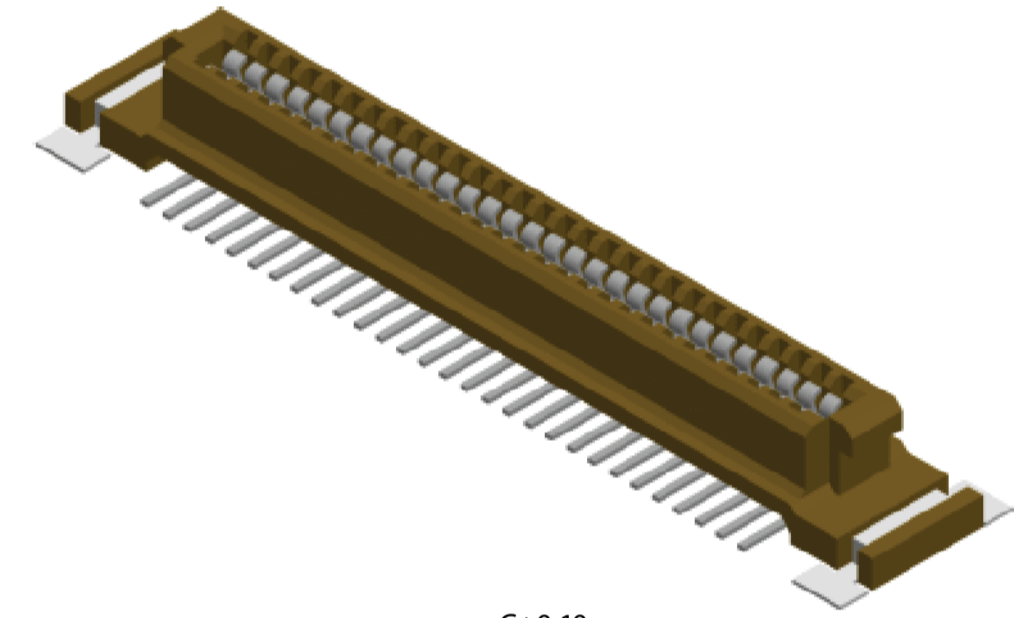
Insulator:Polyester,UL 94V-0  
 Standard:PPS  
 Contact Pin:Phosphor Bronze  
 Contact Plating:Gold Flash all over



No. of Contacts	Dimensions				
	A	B	C	D	E
20	24.03	11.43	21.03	17.00	15.50
30	30.38	17.78	27.38	23.35	21.85
40	36.73	24.13	33.73	29.70	28.20
50	43.08	30.48	40.08	36.05	34.55
60	49.43	36.83	46.43	42.40	40.90
80	62.13	49.53	59.13	55.10	53.60
100	74.83	62.23	71.83	67.80	66.30
120	87.53	74.93	84.53	80.50	79.00

Part No.:BTB127M50-XX-U

# Board To Board Female 1.27mm H=5.4/6.4mm



No. of Contacts	Dimensions				
	A	B	C	D	E
20	24.03	11.43	21.03	17.00	15.50
30	30.38	17.78	27.38	23.35	21.85
40	36.73	24.13	33.73	29.70	28.20
50	43.08	30.48	40.08	36.05	34.55
60	49.43	36.83	46.43	42.40	40.90
80	62.13	49.53	59.13	55.10	53.60
100	74.83	62.23	71.83	67.80	66.30
120	87.53	74.93	84.53	80.50	79.00

Part No.:BTB127F 54/64-XX-U

## ORDER INFORMATION

