

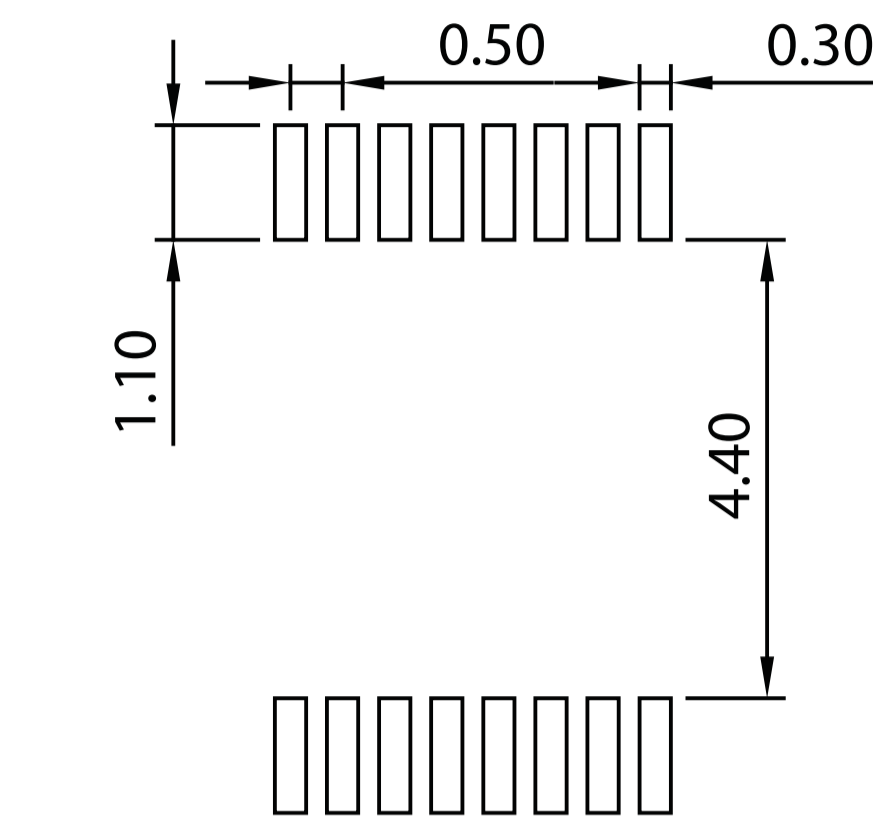
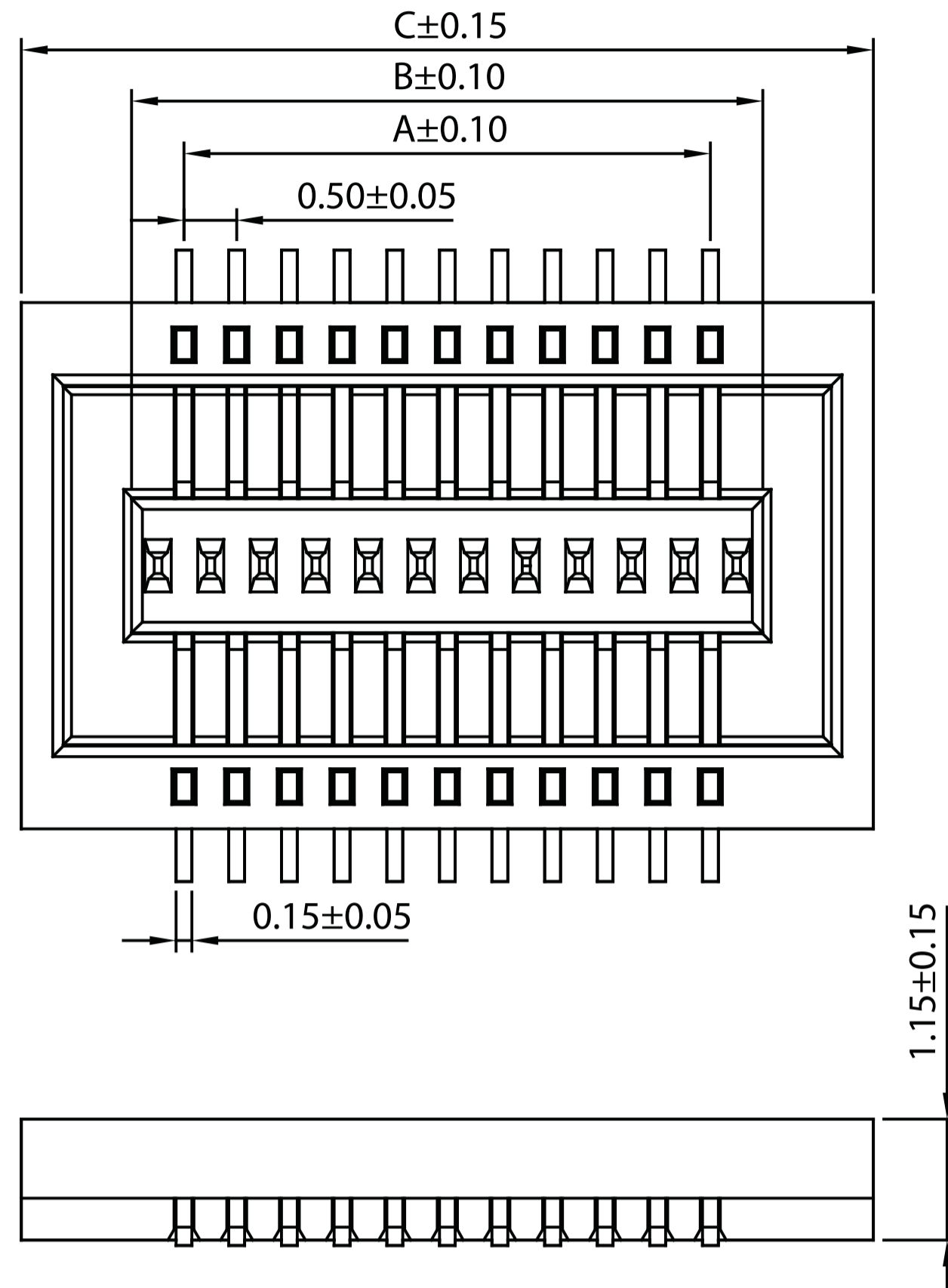
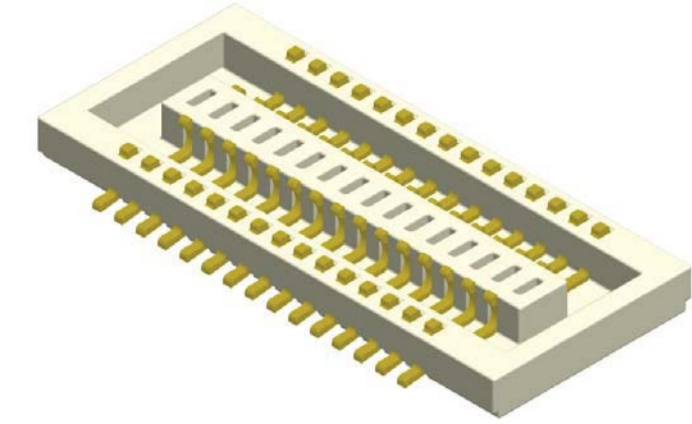
# Board To Board Male 0.5mm H=1.15mm

## SPECIFICATION

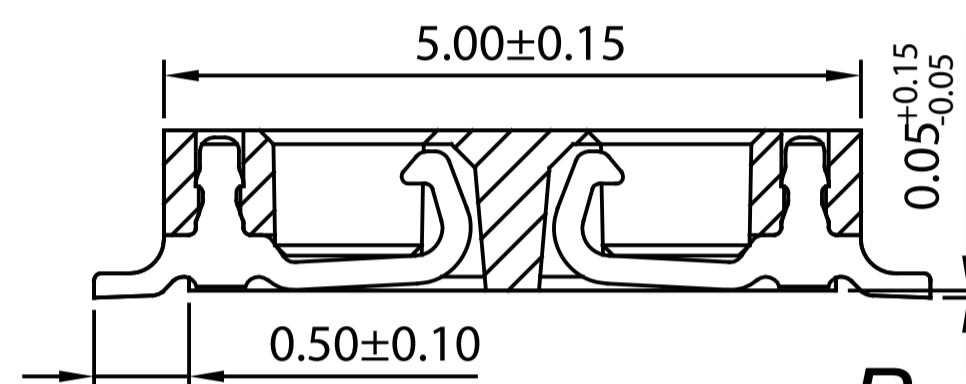
Current Rate:0.5 AMP  
 Insulation Resistance:100MΩ Min.  
 Contact Resistance:30mΩ Max.  
 Dielectric Voltage:50V AC for one minute  
 Operation Temperature:-20° C to +105°C

## MATERIAL

Insulator:Polyester,UL 94V-0  
 Standard:Nylon 46  
 Contact Pin:Phosphor Bronze  
 Contact Plating:Gold Plated



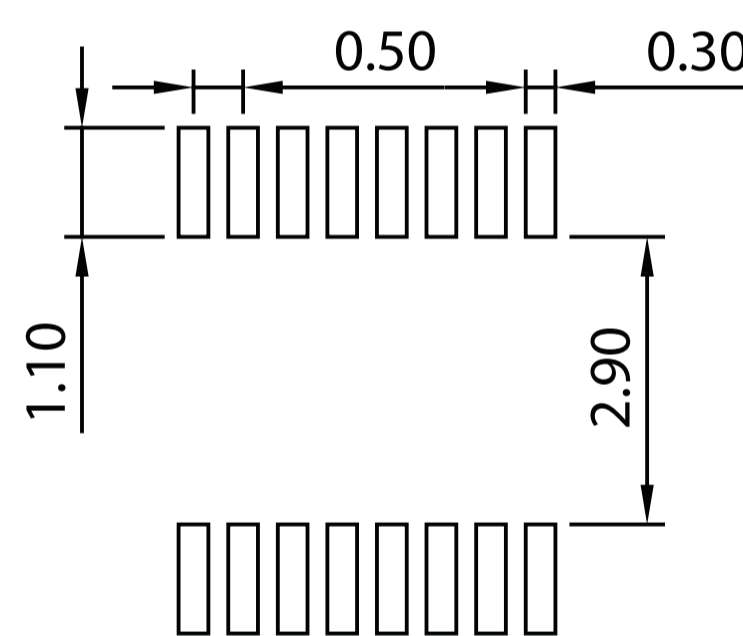
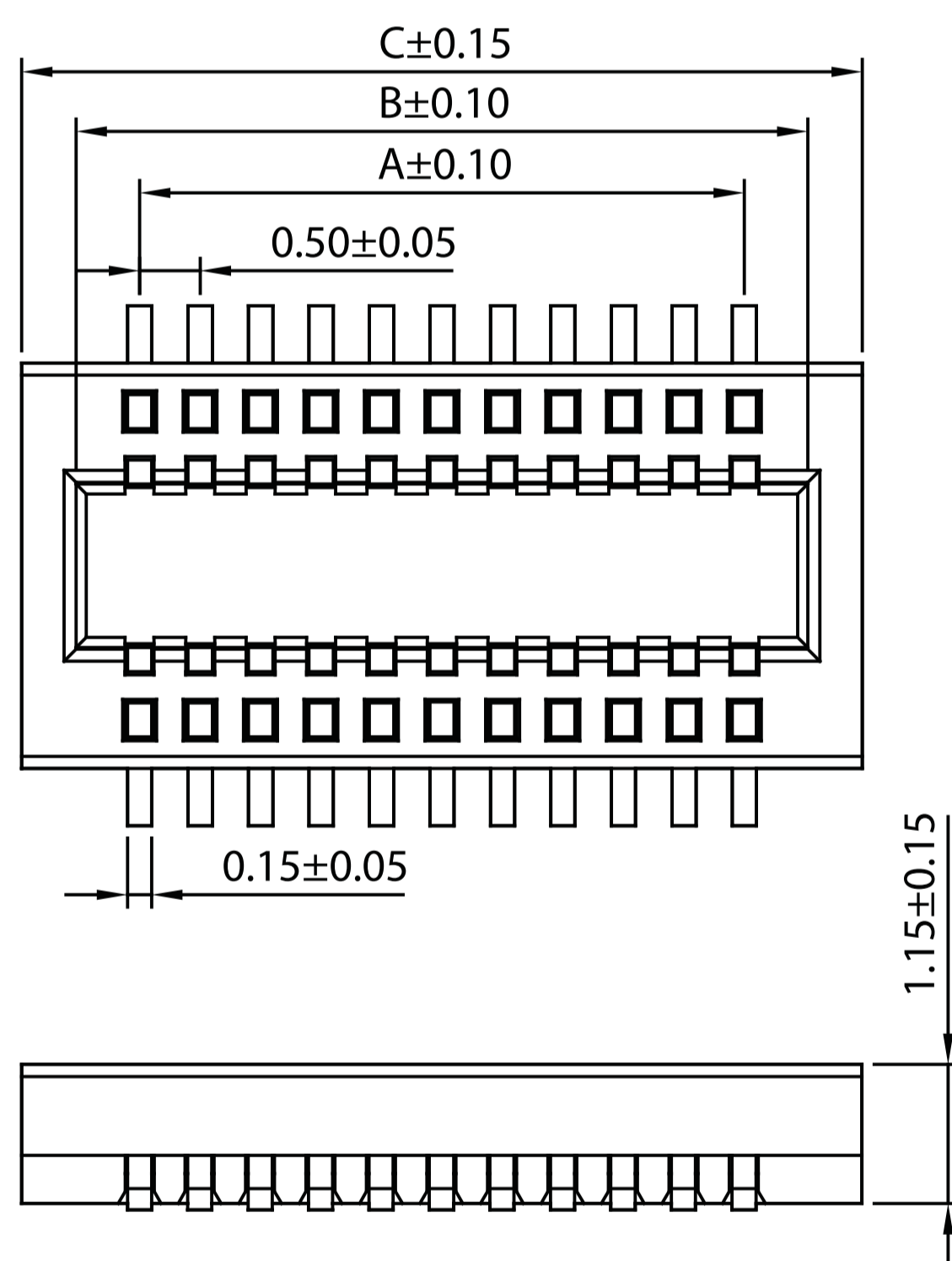
Recommended PCB Layout  
(PCB TOLERANCE ±0.05)



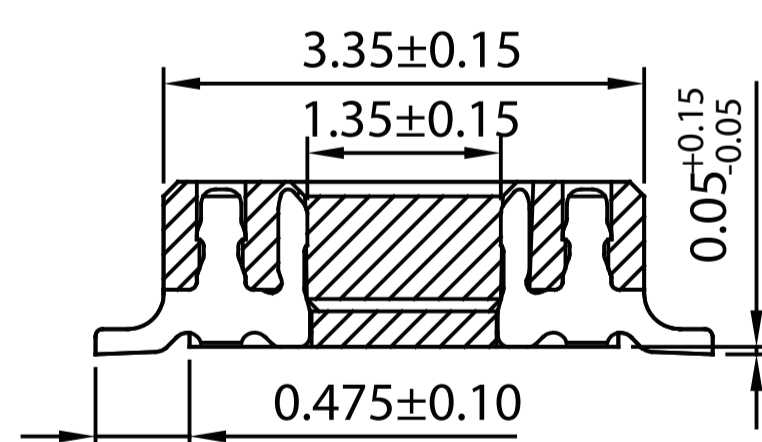
Part No.:BTB05MI 12-XX-U

No. of Contacts	Dim. A	Dim. B	Dim. C	No. of Contacts	Dim. A	Dim. B	Dim. C
10	2.00	3.00	5.10	56	13.50	14.50	16.60
12	2.50	3.50	5.60	58	14.00	15.00	17.10
14	3.00	4.00	6.10	60	14.50	15.50	17.60
16	3.50	4.50	6.60	62	15.00	16.00	18.10
18	4.00	5.00	7.10	64	15.50	16.50	18.60
20	4.50	5.50	7.60	66	16.00	17.00	19.10
22	5.00	6.00	8.10	68	16.50	17.50	19.60
24	5.50	6.50	8.60	70	17.00	18.00	20.10
26	6.00	7.00	9.10	72	17.50	18.50	20.60
28	6.50	7.50	9.60	74	18.00	19.00	21.10
30	7.00	8.00	10.10	76	18.50	19.50	21.60
32	7.50	8.50	10.60	78	19.00	20.00	22.10
34	8.00	9.00	11.10	80	19.50	20.50	22.60
36	8.50	9.50	11.60	82	20.00	21.00	23.10
38	9.00	10.00	12.10	84	20.50	21.50	23.60
40	9.50	10.50	12.60	86	21.00	22.00	24.10
42	10.00	11.00	13.10	88	21.50	22.50	24.60
44	10.50	11.50	13.60	90	22.00	23.00	25.10
46	11.00	12.00	14.10	92	22.50	23.50	25.60
48	11.50	12.50	14.60	94	23.00	24.00	26.10
50	12.00	13.00	15.10	96	23.50	24.50	26.60
52	12.50	13.50	15.60	98	24.00	25.00	27.10
54	13.00	14.00	16.10	100	24.50	25.50	27.60

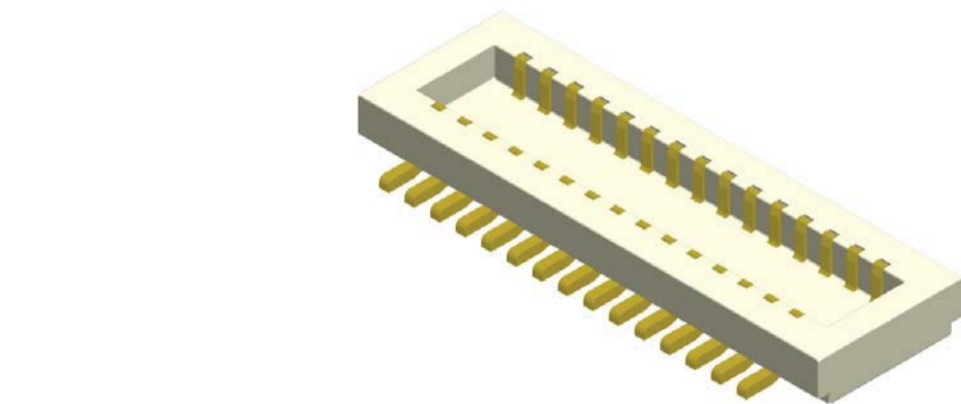
# Board To Board Female 0.5mm H=1.15mm



Recommended PCB Layout  
(PCB TOLERANCE ±0.05)



Part No.:BTB05FI 12-XX-U



No. of Contacts	Dim. A	Dim. B	Dim. C	No. of Contacts	Dim. A	Dim. B	Dim. C
10	2.00	3.05	3.95	56	13.50	14.55	15.45
12	2.50	3.55	4.45	58	14.00	15.05	15.95
14	3.00	4.05	4.95	60	14.50	15.55	16.45
16	3.50	4.55	5.45	62	15.00	16.05	16.95
18	4.00	5.05	5.95	64	15.50	16.55	17.45
20	4.50	5.55	6.45	66	16.00	17.05	17.95
22	5.00	6.05	6.95	68	16.50	17.55	18.45
24	5.50	6.55	7.45	70	17.00	18.05	18.95
26	6.00	7.05	7.95	72	17.50	18.55	19.45
28	6.50	7.55	8.45	74	18.00	19.05	19.95
30	7.00	8.05	8.95	76	18.50	19.55	20.45
32	7.50	8.55	9.45	78	19.00	20.05	20.95
34	8.00	9.05	9.95	80	19.50	20.55	21.45
36	8.50	9.55	10.45	82	20.00	21.05	21.95
38	9.00	10.05	10.95	84	20.50	21.55	22.45
40	9.50	10.55	11.45	86	21.00	22.05	22.95
42	10.00	11.05	11.95	88	21.50	22.55	23.45
44	10.50	11.55	12.45	90	22.00	23.05	23.95
46	11.00	12.05	12.95	92	22.50	23.55	24.45
48	11.50	12.55	13.45	94	23.00	24.05	24.95
50	12.00	13.05	13.95	96	23.50	24.55	25.45
52	12.50	13.55	14.45	98	24.00	25.05	25.95
54	13.00	14.05	14.95	100	24.50	25.55	26.45

## ORDER INFORMATION

