

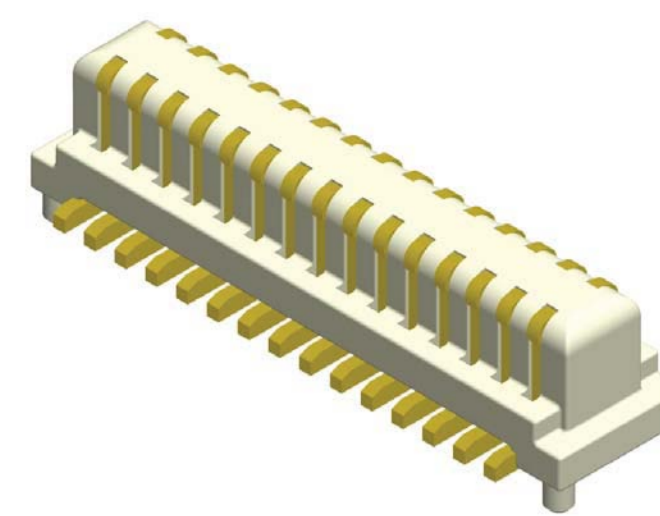
Board To Board Male 0.8mm H=3.55mm

SPECIFICATION

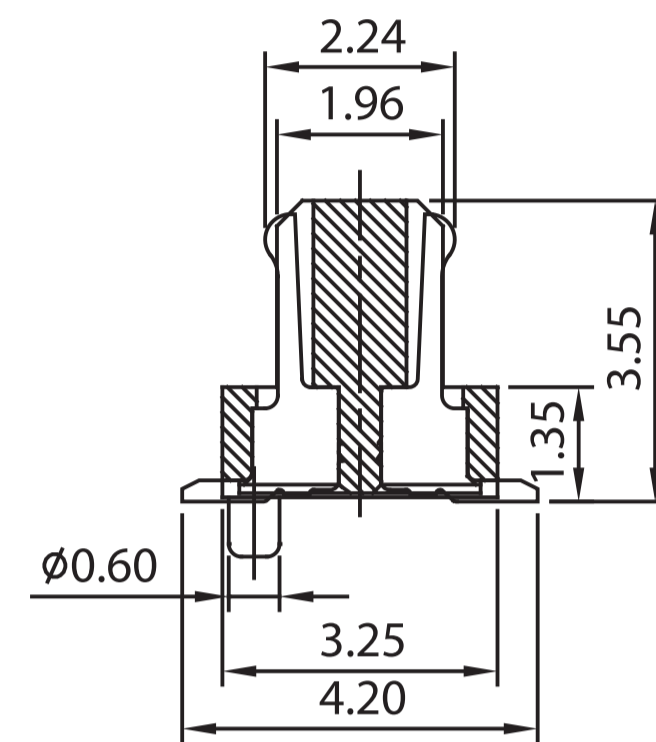
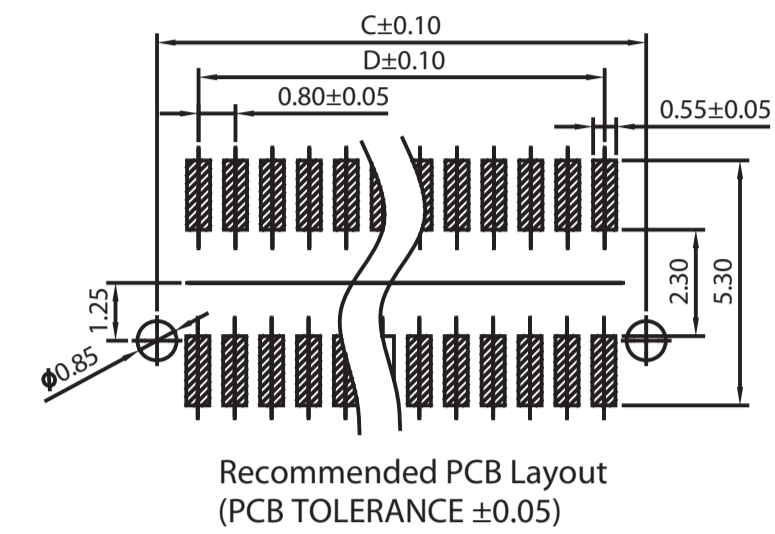
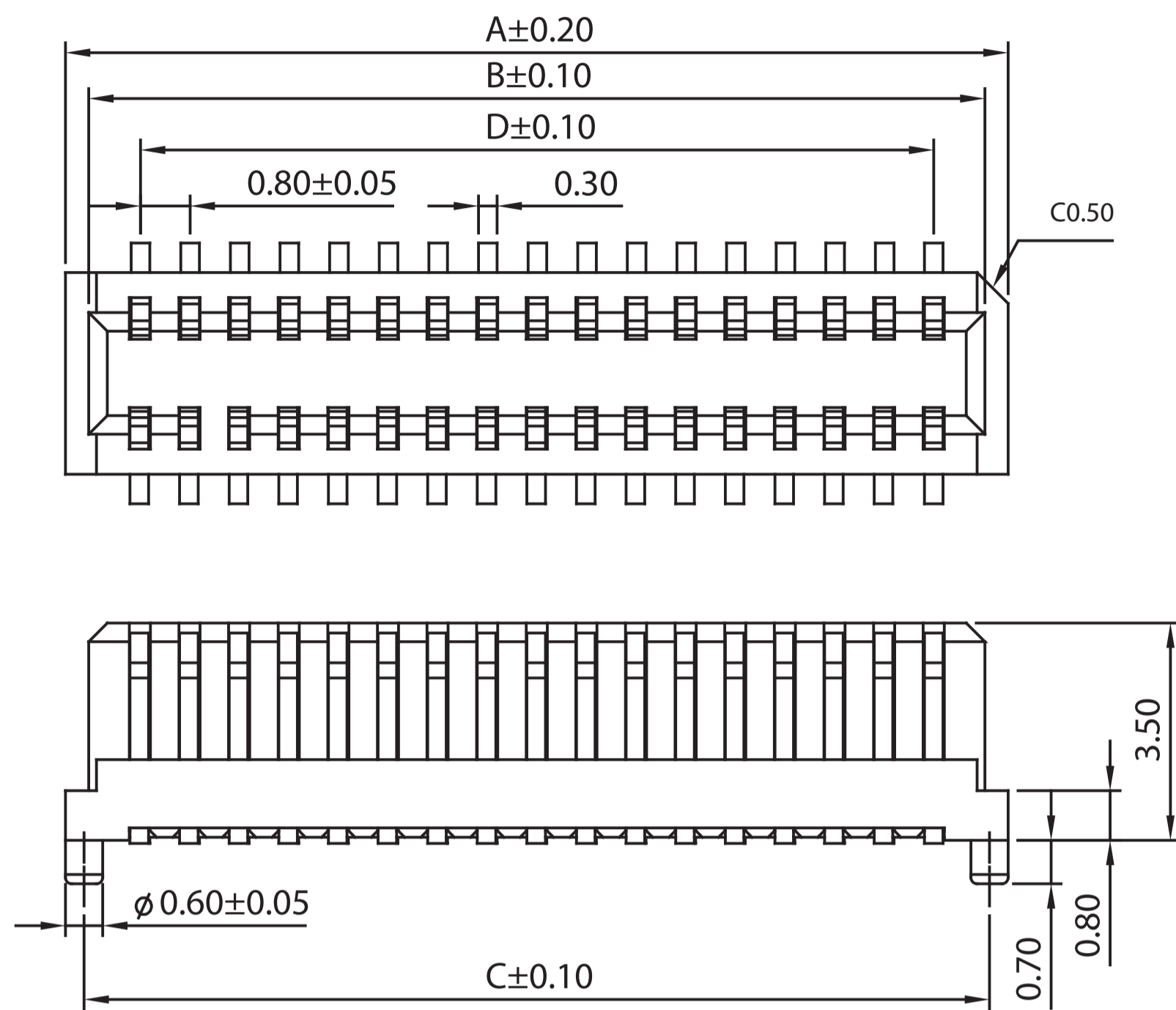
Current Rate:0.5 AMP
 Insulation Resistance:100MΩ Min.
 Contact Resistance:40mΩ Max.
 Dielectric Voltage:500V AC for one minute
 Operation Temperature:-40°C to +105°C

MATERIAL

Insulator:Polyester,UL 94V-0
 Standard:Nylon 46
 Contact Pin:Phosphor Bronze
 Contact Plating:Gold Flash all over



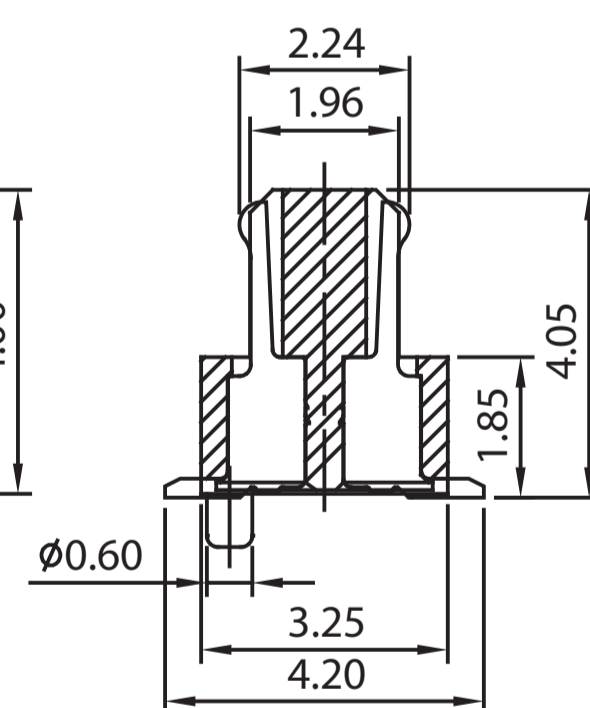
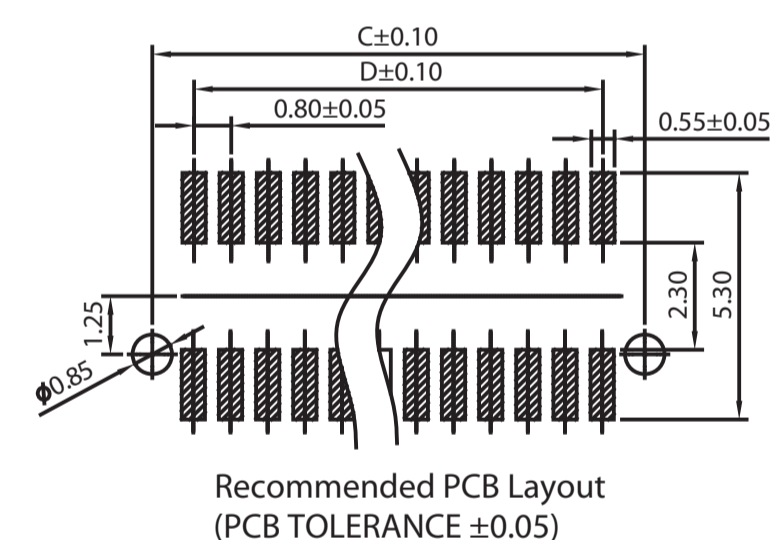
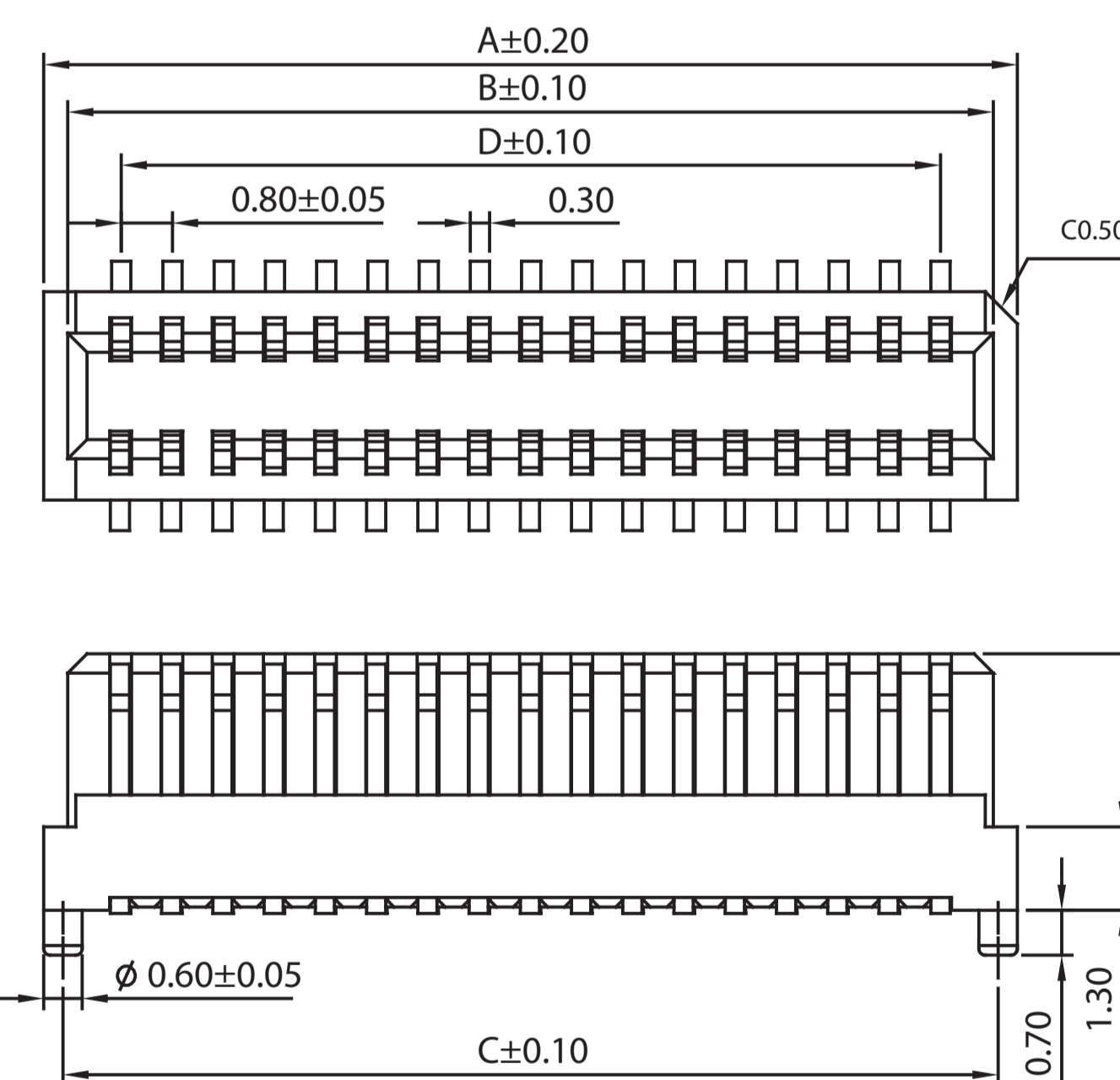
No. of Contacts	Dimensions			
	A	B	C	D
10	5.80	4.90	5.00	3.20
12	6.60	5.70	5.80	4.00
14	7.40	6.50	6.60	4.80
16	8.20	7.30	7.40	5.60
18	9.00	8.10	8.20	6.40
20	9.80	8.90	9.00	7.20
22	10.60	9.70	9.80	8.00
24	11.40	10.50	10.60	8.80
26	12.20	11.30	11.40	9.60
28	13.00	12.10	12.20	10.40
30	13.80	12.90	13.00	11.20
32	14.60	13.70	13.80	12.00
34	15.40	14.50	14.60	12.80
36	16.20	15.30	15.40	13.60
38	17.00	16.10	16.20	14.40
40	17.80	16.90	17.00	15.20
50	21.80	20.90	21.00	19.20
60	25.80	24.90	25.00	23.20
68	29.00	28.10	28.20	26.40
70	29.80	28.90	29.00	27.20
80	33.80	32.90	33.00	31.20
90	37.80	36.90	37.00	35.20
100	41.80	40.90	41.00	39.20



Part No.:BTB08MC-XX-U

Board To Board Male 0.8mm H=4.05mm

No. of Contacts	Dimensions			
	A	B	C	D
10	5.80	4.90	5.00	3.20
12	6.60	5.70	5.80	4.00
14	7.40	6.50	6.60	4.80
16	8.20	7.30	7.40	5.60
18	9.00	8.10	8.20	6.40
20	9.80	8.90	9.00	7.20
22	10.60	9.70	9.80	8.00
24	11.40	10.50	10.60	8.80
26	12.20	11.30	11.40	9.60
28	13.00	12.10	12.20	10.40
30	13.80	12.90	13.00	11.20
32	14.60	13.70	13.80	12.00
34	15.40	14.50	14.60	12.80
36	16.20	15.30	15.40	13.60
38	17.00	16.10	16.20	14.40
40	17.80	16.90	17.00	15.20
50	21.80	20.90	21.00	19.20
60	25.80	24.90	25.00	23.20
68	29.00	28.10	28.20	26.40
70	29.80	28.90	29.00	27.20
80	33.80	32.90	33.00	31.20
90	37.80	36.90	37.00	35.20
100	41.80	40.90	41.00	39.20



Part No.:BTB08MC40-XX-U

ORDER INFORMATION

