

SPECIFICATION

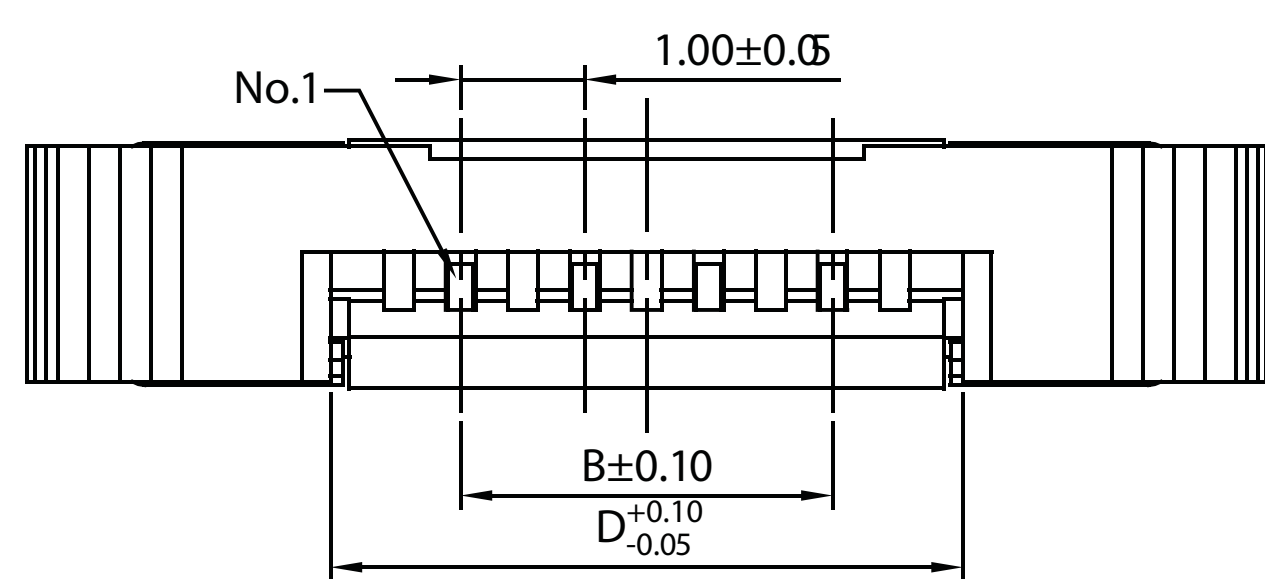
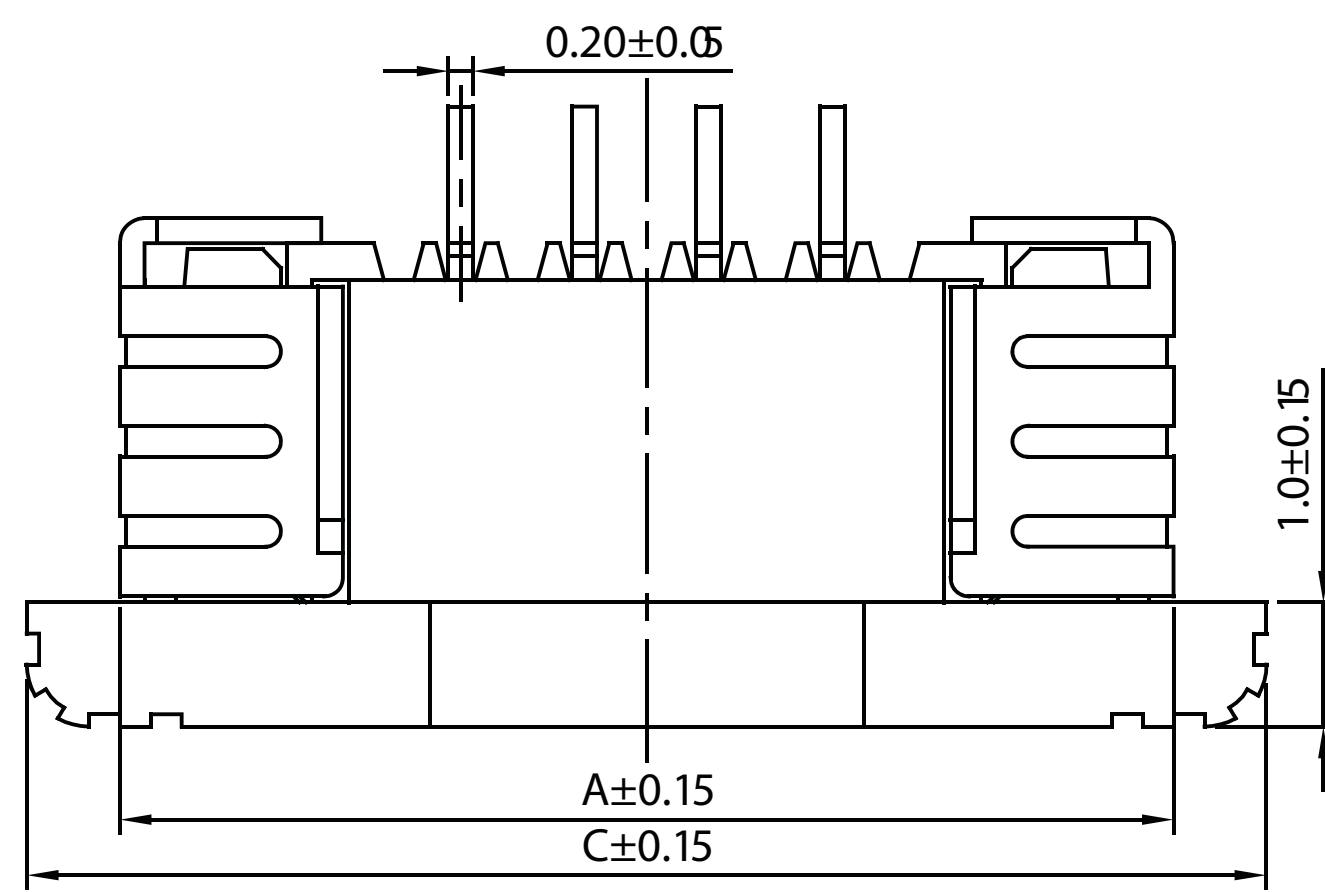
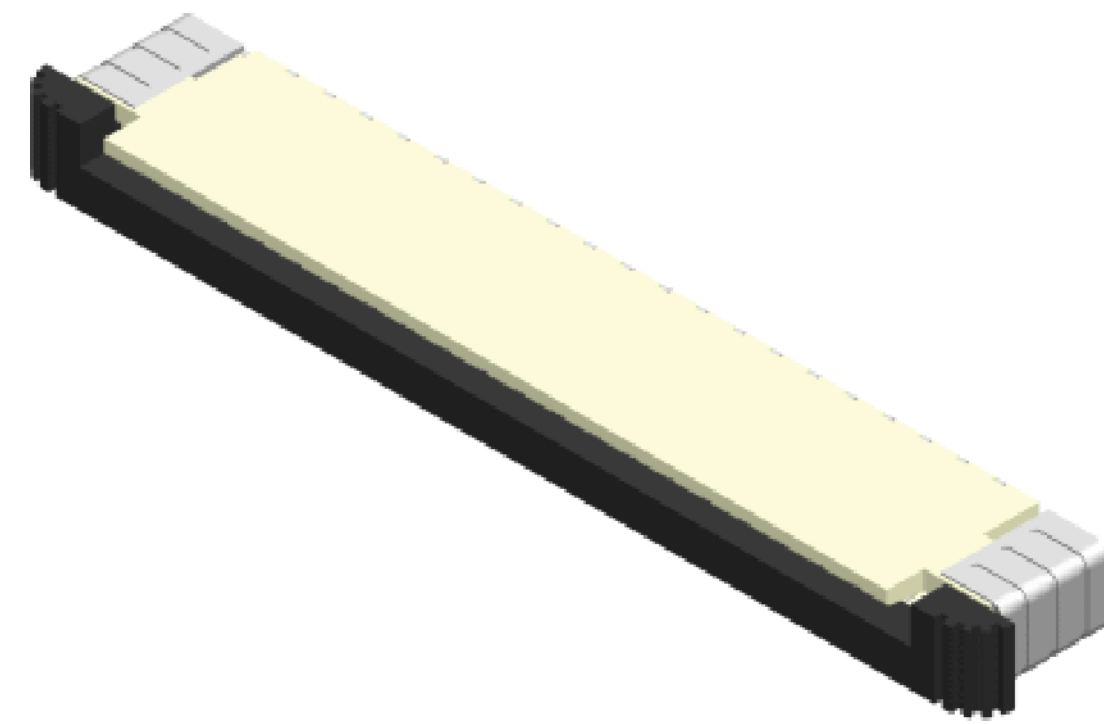
Current Rate:0.5 AMP
 Insulation Resistance:500M Ω Min.
 Contact Resistance:30m Ω Max.
 Dielectric Voltage:100V AC for one minute
 Operation Temperature:-55°C to +85°C

MATERIAL

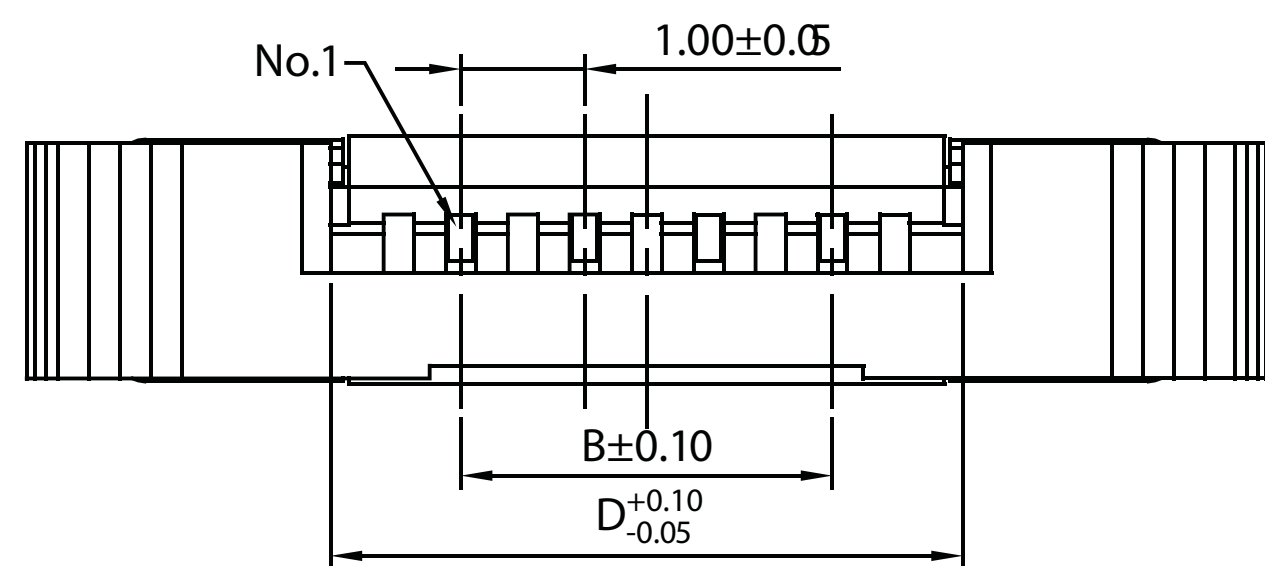
Insulator:Polyester,UL 94V-0
 Standard:Nylon 46
 Contact Pin:Copper Alloy
 Contact Plating:Tin Plated

100ZFS-RU-xx, 100ZFS-RL-xx
 FPC/FFC 1.0mm ZIF SMT Type Side Entry

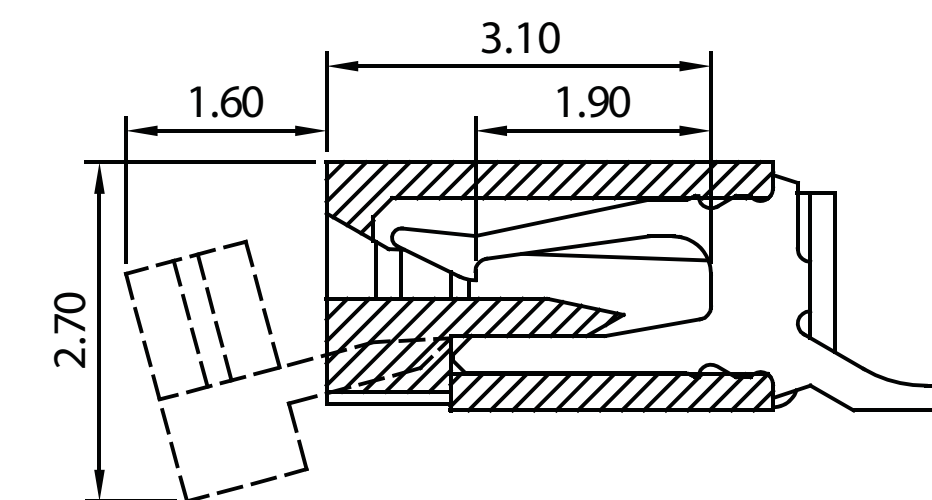
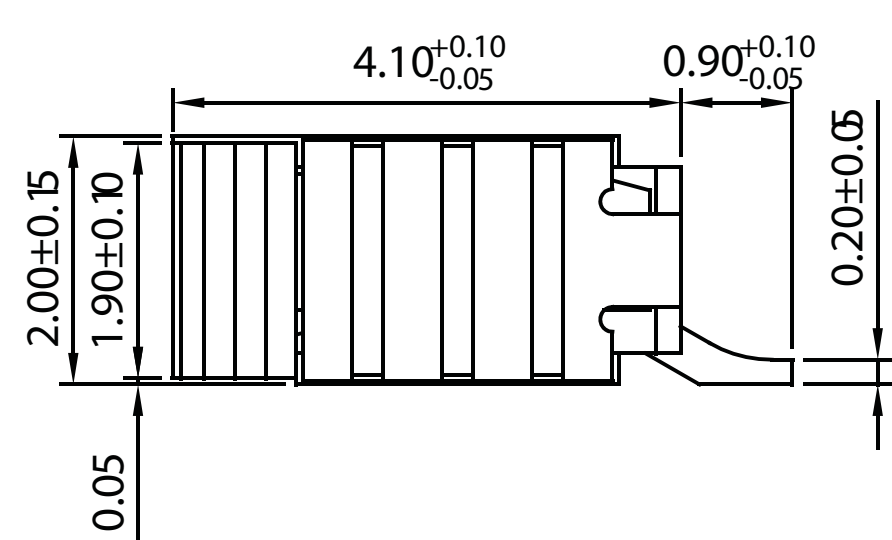
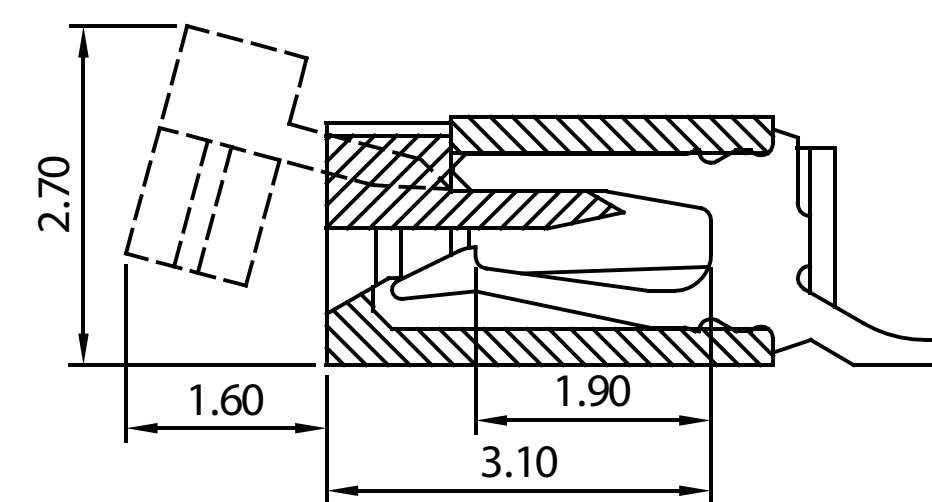
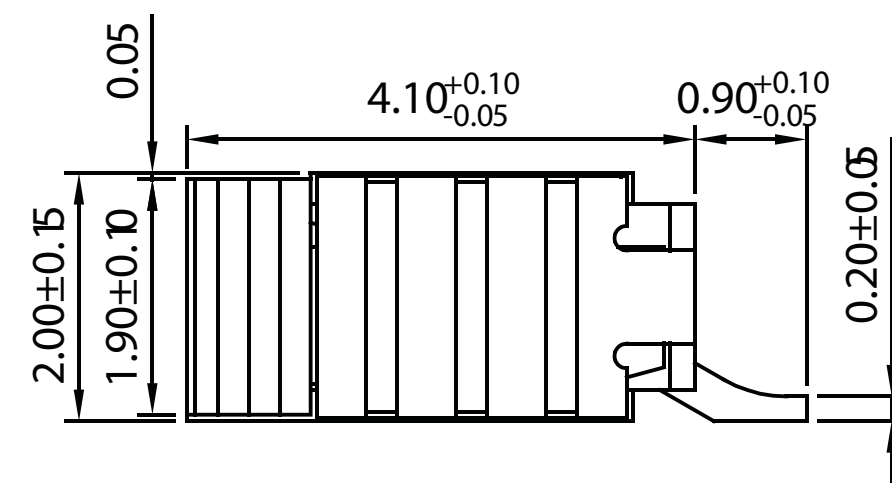
TYPE 1



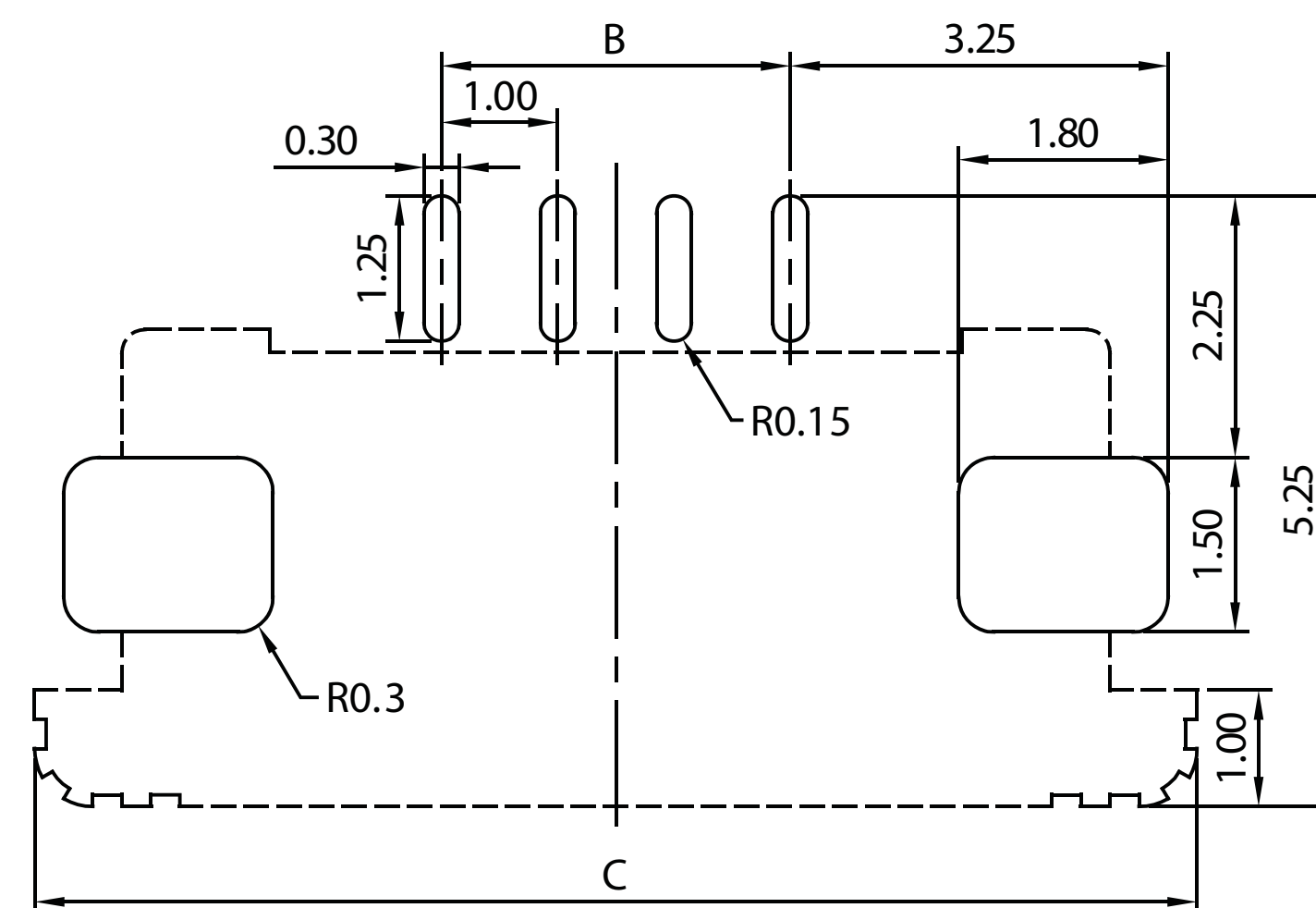
Bottom Contact



Upper Contact



No. of Contacts	Dimension			
	A	B	C	D
4	8.50	3.00	10.00	5.10
5	9.50	4.00	11.00	6.10
6	10.50	5.00	12.00	7.10
7	11.50	6.00	13.00	8.10
8	12.50	7.00	14.00	9.10
9	13.50	8.00	15.00	10.10
10	14.50	9.00	16.00	11.10
11	15.50	10.00	17.00	12.10
12	16.50	11.00	18.00	13.10
13	17.50	12.00	19.00	14.10
14	18.50	13.00	20.00	15.10
15	19.50	14.00	21.00	16.10
16	20.50	15.00	22.00	17.10
17	21.50	16.00	23.00	18.10
18	22.50	17.00	24.00	19.10
19	23.50	18.00	25.00	20.10
20	24.50	19.00	26.00	21.10
21	25.50	20.00	27.00	22.10
22	26.50	21.00	28.00	23.10
23	27.50	22.00	29.00	24.10
24	28.50	23.00	30.00	25.10



Recommended PCB Layout
 (PCB TOLERANCE ±0.05)

100ZFS-RU-xx, 100ZFS-RL-xx

FPC/FFC 1.0mm ZIF SMT Type Side Entry

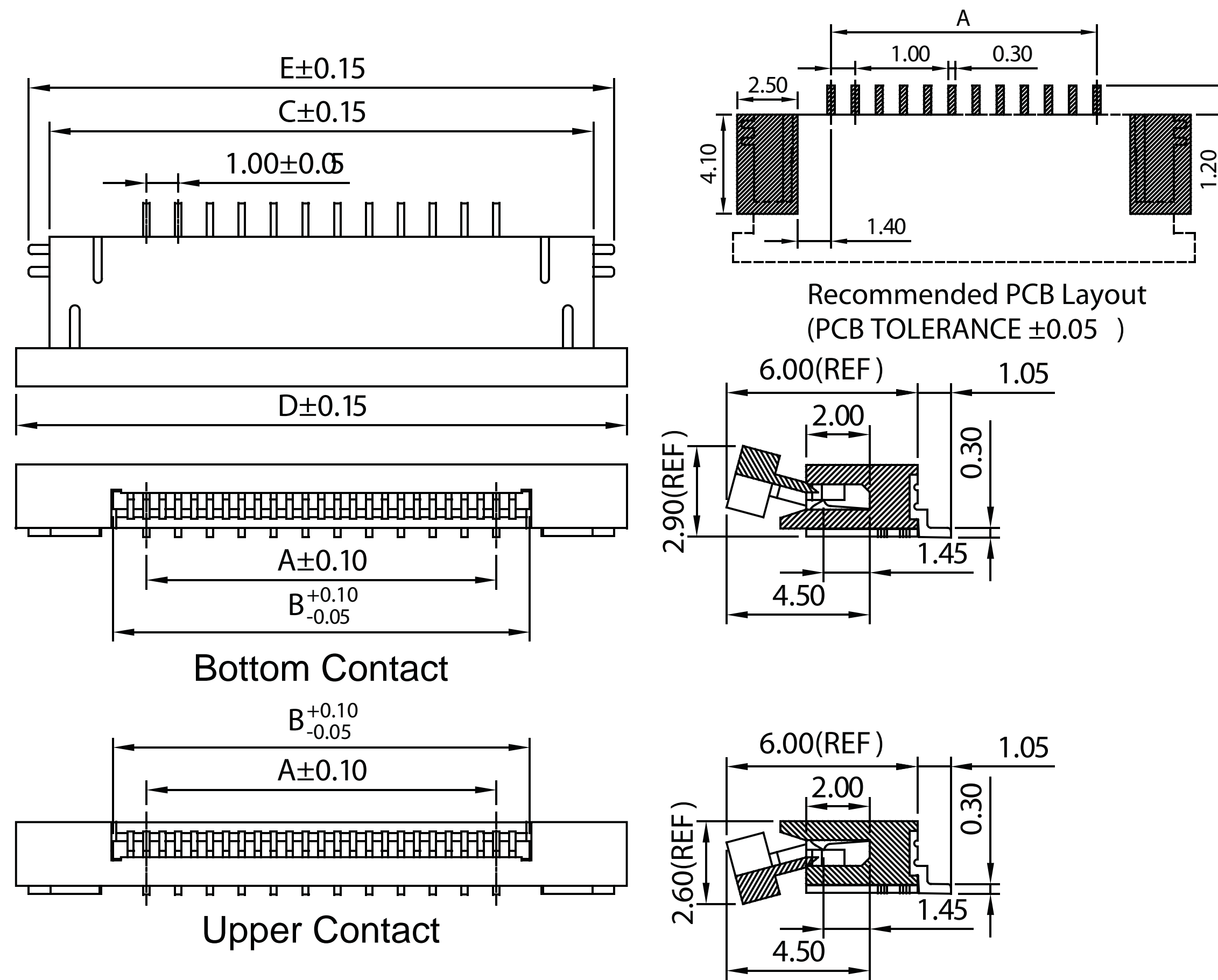
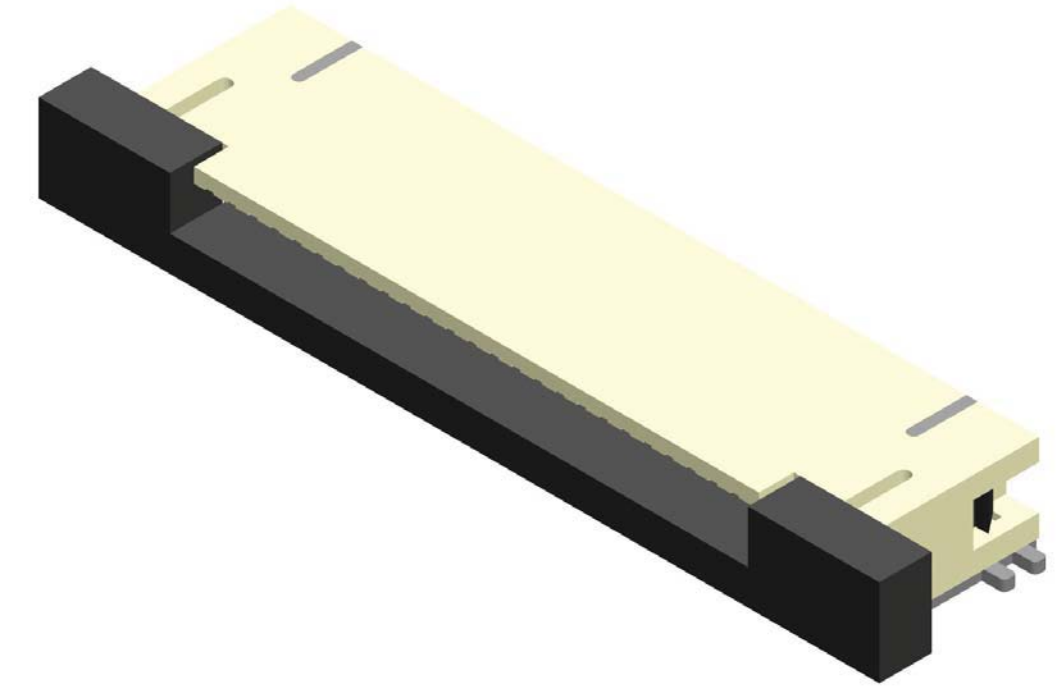
SPECIFICATION

Current Rate:0.5 AMP
 Insulation Resistance:50M Ω Min.
 Contact Resistance:20m Ω Max.
 Dielectric Voltage:250V AC for one minute
 Operation Temperature:-20°C to +85°C

MATERIAL

Insulator:Polyester,UL 94V-0
 Standard:Nylon 6T
 Contact Pin:Copper Alloy
 Contact Plating:Tin Plated

TYPE 2



No. of Contacts	Dim. A	Dim. B	Dim. C	Dim. D	Dim. E
4	3.00	5.10	9.10	11.10	10.40
5	4.00	6.10	10.10	12.10	11.40
6	5.00	7.10	11.10	13.10	12.40
7	6.00	8.10	12.10	14.10	13.40
8	7.00	9.10	13.10	15.10	14.40
9	8.00	10.10	14.10	16.10	15.40
10	9.00	11.10	15.10	17.10	16.40
11	10.00	12.10	16.10	18.10	17.40
12	11.00	13.10	17.10	19.10	18.40
13	12.00	14.10	18.10	20.10	19.40
14	13.00	15.10	19.10	21.10	20.40
15	14.00	16.10	20.10	22.10	21.40
16	15.00	17.10	21.10	23.10	22.40
17	16.00	18.10	22.10	24.10	23.40
18	17.00	19.10	23.10	25.10	24.40
19	18.00	20.10	24.10	26.10	25.40
20	19.00	21.10	25.10	27.10	26.40
21	20.00	22.10	26.10	28.10	27.40
22	21.00	23.10	27.10	29.10	28.40
23	22.00	24.10	28.10	30.10	29.40
24	23.00	25.10	29.10	31.10	30.40
25	24.00	26.10	30.10	32.10	31.40
26	25.00	27.10	31.10	33.10	32.40
27	26.00	28.10	32.10	34.10	33.40
28	27.00	29.10	33.10	35.10	34.40
29	28.00	30.10	34.10	36.10	35.40
30	29.00	31.10	35.10	37.10	36.40