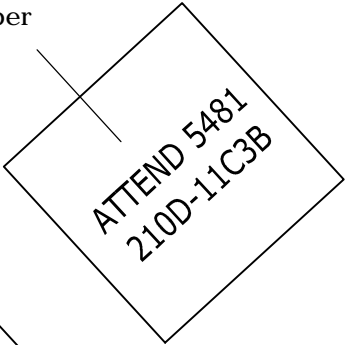


REV.	DESCRIPTION	DRAWN	DATE
1	INITIAL RELEASE	FROS	2015/12/14

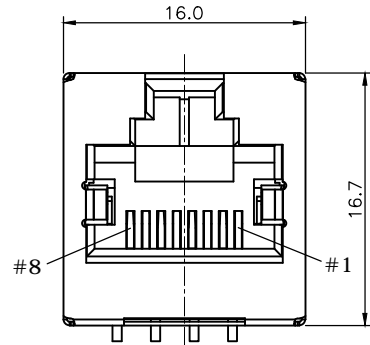
MARKING:

ATTEND: Logo
 5481: Date Code (YWWD)
 210D-11C3B: Part Number

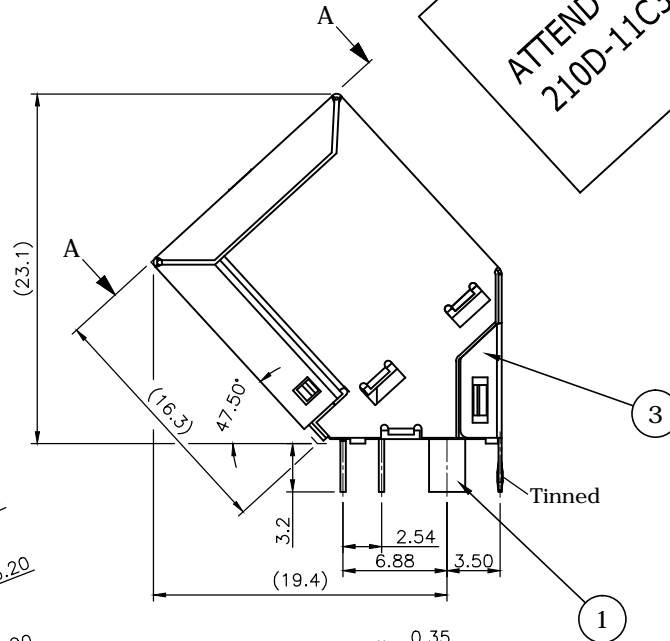


SPECIFICATION:

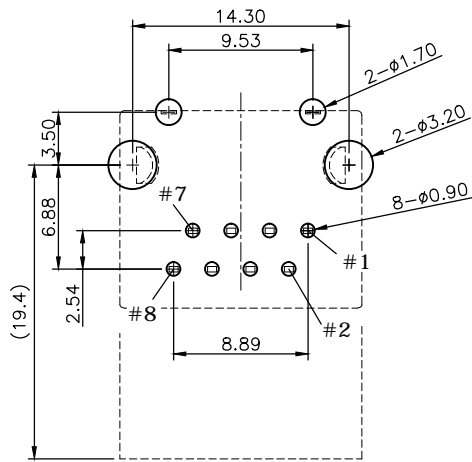
1. ELECTRICAL
 - 1.1 Current Rating: 0.4A
 - 1.2 Voltage Rating: 48VAC
 - 1.3 Contact Resistance: 35mΩ
 - 1.4 Insulation Resistance: 1,000MΩ
 - 1.5 Dielectric Withstanding Voltage: 1,000VAC
 2. MECHANICAL
 - 2.1 Durability: 750 Cycle
 - 2.2 PCB Retention Pre-Solder: 1LB min.
 - 2.3 PCB Retention Post-Solder: 10LBS min.
 3. ENVIRONMENTAL
 - 3.1 Operating temperature range: -40°C~+85°C
 - 3.2 Storage temperature range: -40°C~+85°C
- Mates with modular plug conforming to FCC part 68, subpart F.



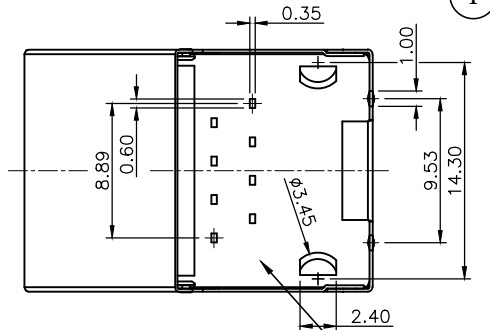
A-A VIEW




210D - 11 C 3 B
 Cat 6 RJ45
 Module Jack
 w/o EMI Tab
 47.5 Degree Entry,
 Metal shield
 5u" Gold Plating
 1x1 Port

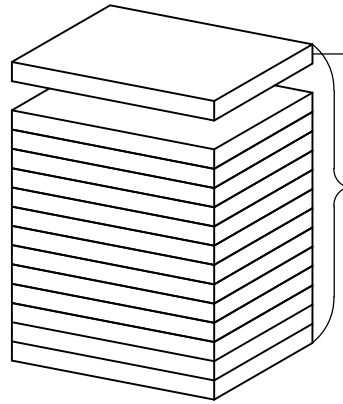


RECOMMENDED LAYOUT (TOP VIEW)
GENERAL TOLERANCE: ±0.1



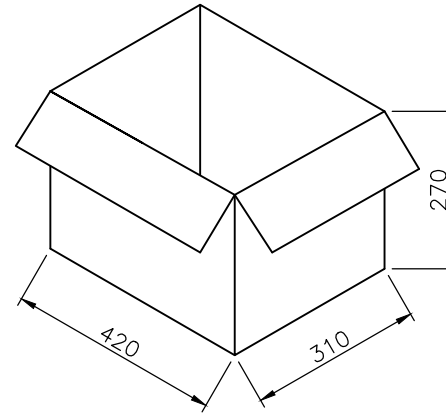
3	SHELL	Brass C2680 0.2t, 30u"~50u" Nickel plating		
2.2	CONTACT	Phosphor Bronze C5210 0.35t, 5u" selective Gold plating over 50u" Nickel		
2.1	INSULATOR	Zytel HTNFR52, UL94V-0, Black		
2	INSERT	Assembly		
1	HOUSING	Zytel HTNFR52, UL94V-0, Black		
NO.	PART NAME	DESCRIPTION		
UNLESS OTHERWISE SPECIFIED TOLERANCE				
UNIT:	DECIMAL	LINEAR	ANGLES	
	mm	X. ±0.50	±5°	
		X.X ±0.25	±3°	
		X.XX ±0.12	±1°	
DRAWN Fros 2015/12/14			 WWW.ATTEND.COM.TW	
CHECKED Amy 2015/12/14				
APPROVED Ken 2015/12/14				
SCALE 2.0 SHEET 1/2 SIZE A4				
FILE NAME 210D-11C3B_B_1				
DRAWN NAME: Fros		2015/12/14		DRAWN NAME:
CHECKED NAME: Amy		2015/12/14		RJ45 CAT.6 47.5° ENTRY JACK, METAL SHIELD W/O EMI TAB, STP, 5U" GOLD
APPROVED NAME: Ken		2015/12/14		PRODUCT NO. 210D-11C3B

REV.	DESCRIPTION	DRAWN	DATE
	see sheet one		

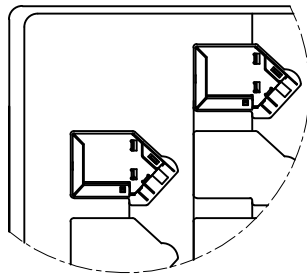


Tray with Cover = 1 Layer
= 6x2+8x6 = 60pcs

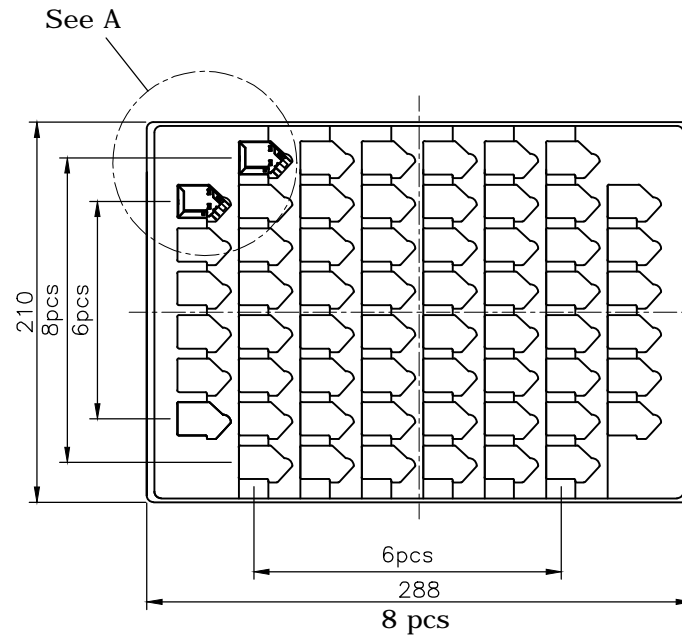
14 Layer = 1 Column
= 60pcsx14Layer = 840pcs


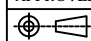


1 Carton = 2 Column
= 840pcsx2 = 1680pcs



Detail A



UNLESS OTHERWISE SPECIFIED TOLERANCE					
UNIT:	DECIMAL	LINEAR	ANGLES		
mm	X.	±0.50	±5°		
	X.X	±0.25	±3°		
	X.XX	±0.12	±1°		
DRAWN	Fros	2015/12/14	DRAWN NAME:		
CHECKED	Amy	2015/12/14	RJ45 CAT.6 47.5° ENTRY JACK, METAL SHIELD W/O EMI TAB, STP, 5U" GOLD		
APPROVED	Ken	2015/12/14	PRODUCT NO.	210D-11C3B	
		SCALE 1/4	SHEET 2/2	SIZE A4	FILE NAME 210D-11C3B_B_1