

## DC Power Connectors

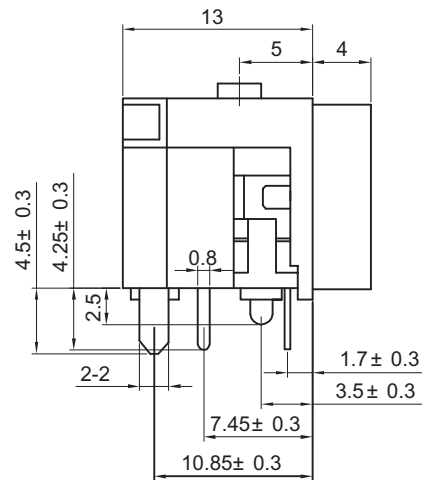
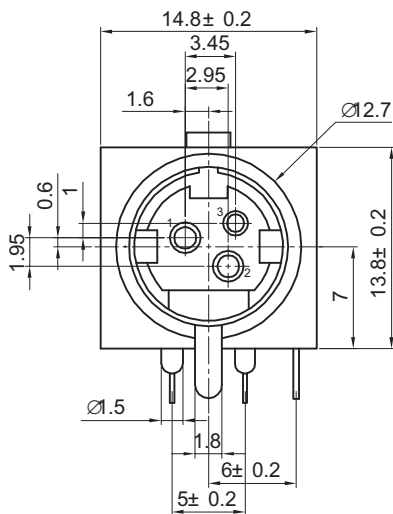
### KLS1-288A (DC Power Jack)

**Material:**

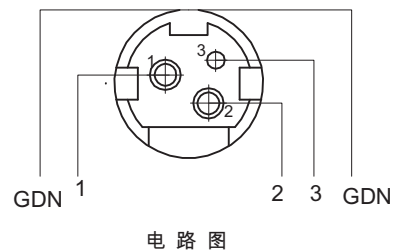
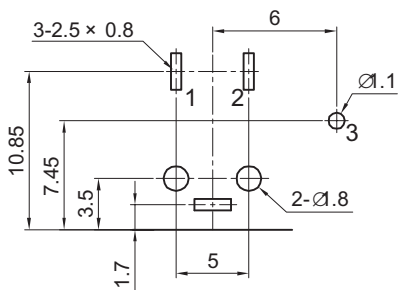
Housing Material: PBT+15%G.F  
Contact: Brass, Tin plated

**Technical parameters:**

Contact Resistance:  $\leq 30m\Omega$   
Insulation Resistance:  $\geq 100M\Omega$   
Withstanding Voltage: 500V AC (50Hz) 1min  
Rated load: 1&2 : 20V DC 7.5A MAX ; 3 : 20V DC 1A  
Life:  $\geq 5000$  times  
Actuating Force: 10~50N  
Operating Temperature:  $-25^{\circ}C \sim 70^{\circ}C$



PCB 板安装孔图



## ORDER INFORMATION

Product NO.: KLS1-288A-03-3 PIN



## DC Power Connectors

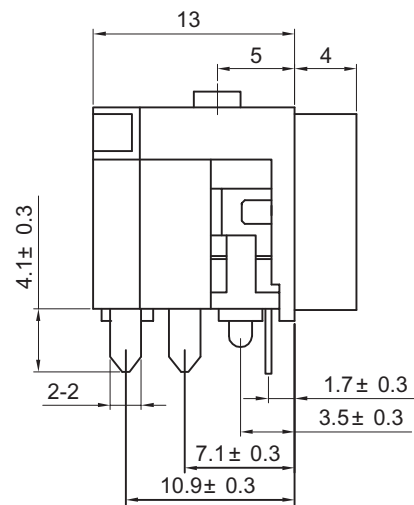
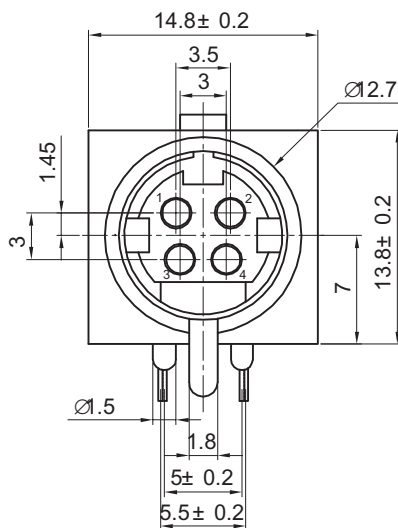
### KLS1-288A (DC Power Jack)

**Material:**

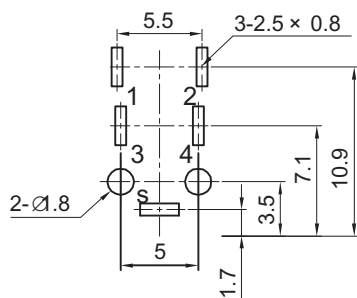
Housing Material: PBT+15%G.F  
Contact: Brass, Tin plated

**Technical parameters:**

Contact Resistance:  $\leq 30m\Omega$   
Insulation Resistance:  $\geq 100M\Omega$   
Withstanding Voltage: 500V AC (50Hz) 1min  
Rated load: 7.5A 20V DC  
Life:  $\geq 5000$  times  
Actuating Force: 10~50N  
Operating Temperature:  $-25^{\circ}C \sim 70^{\circ}C$



PCB 板安装孔图



## ORDER INFORMATION

Product NO.: KLS1-288A-04-4 PIN

