

SPECIFICATION

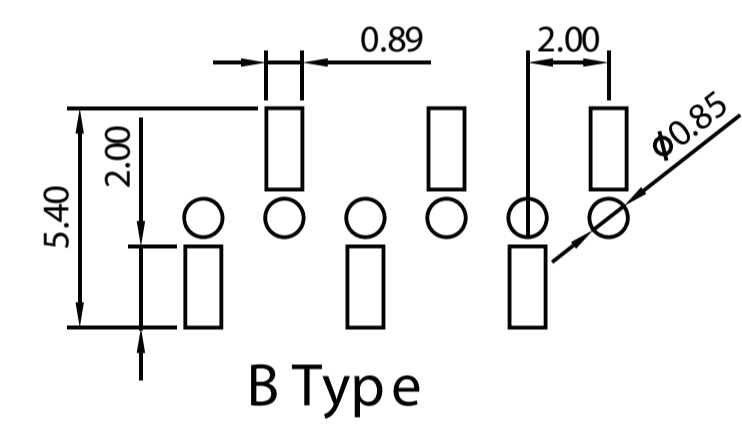
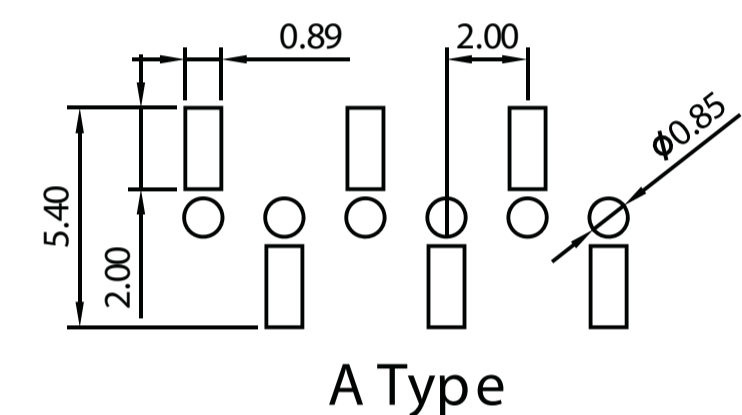
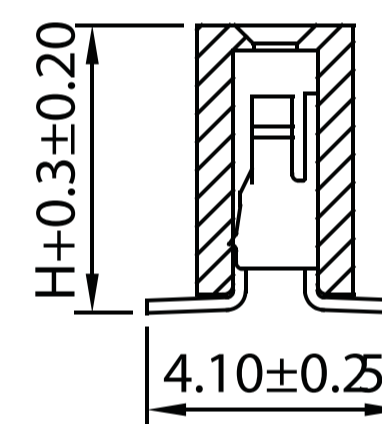
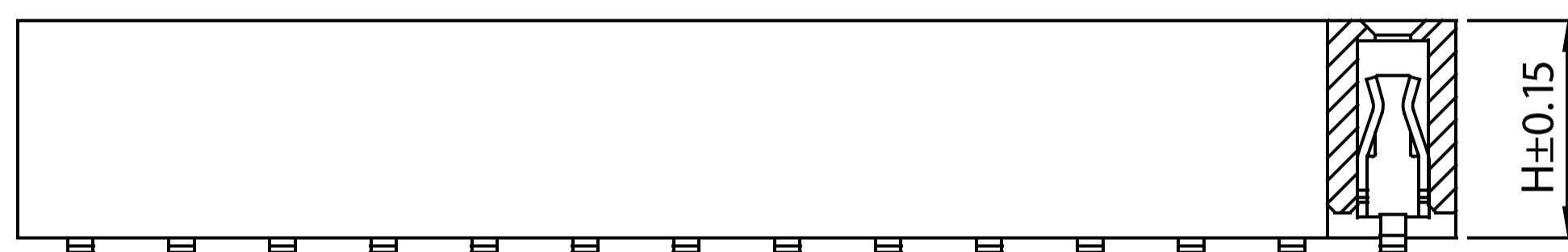
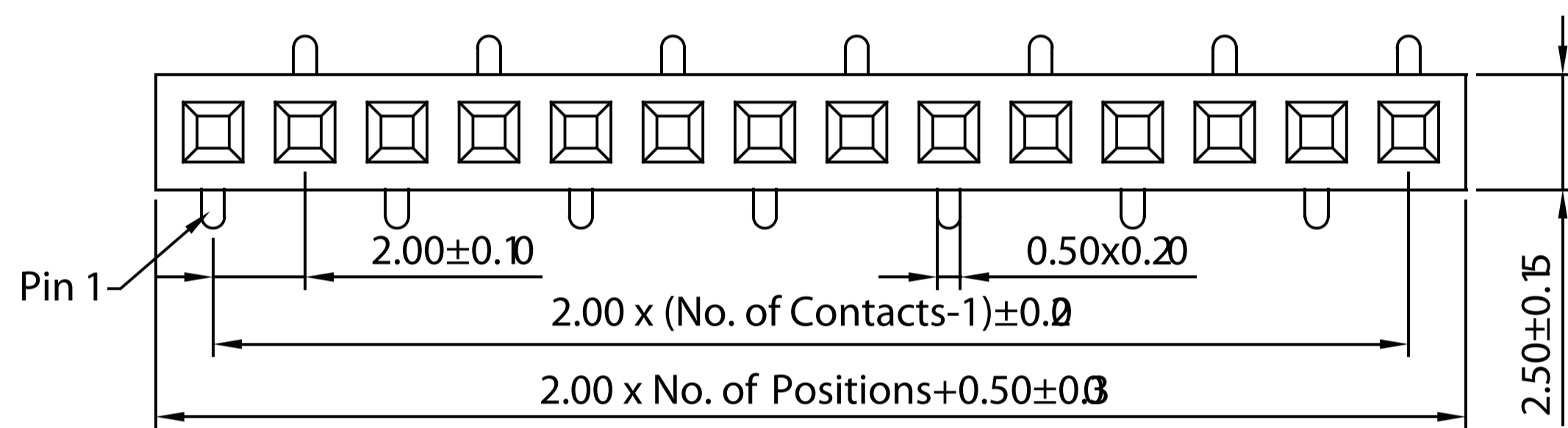
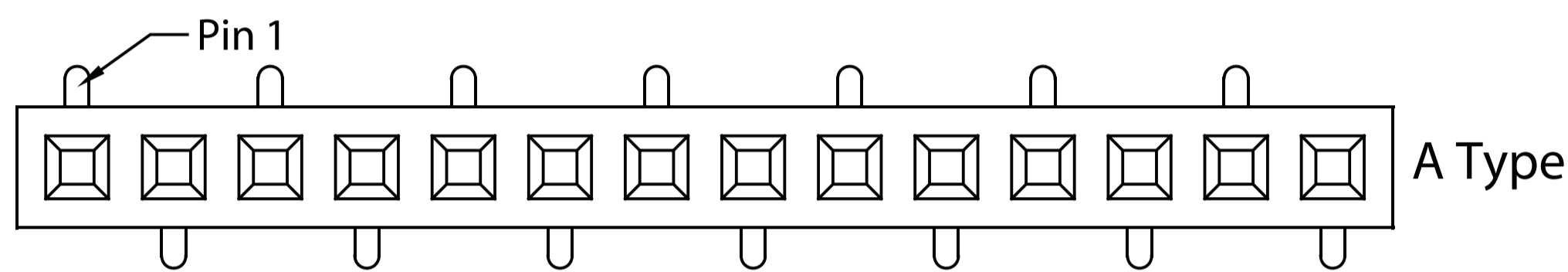
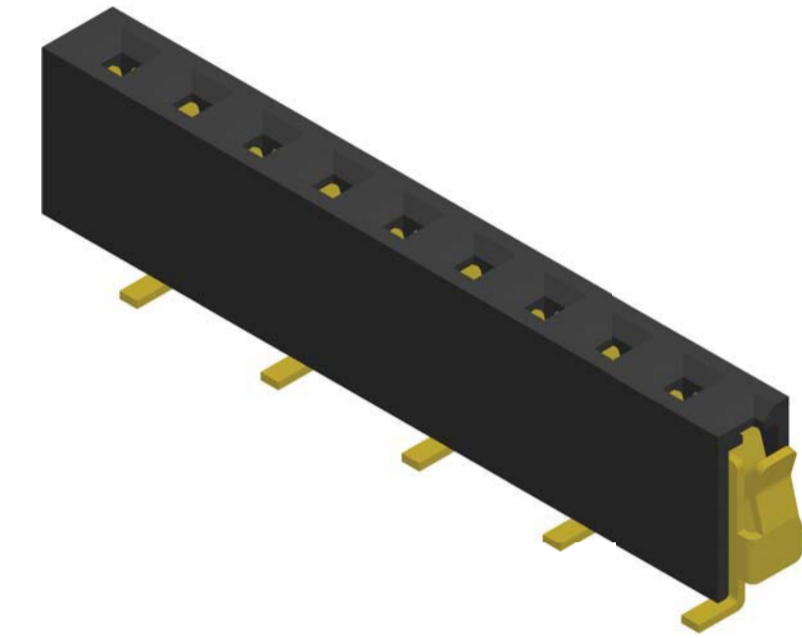
Current Rate:1.5 AMP
 Insulation Resistance:1000M Ω Min.
 Contact Resistance:20m Ω Max.
 Dielectric Voltage:500V AC for one minute
 Operation Temperature:-40°C to +105°C

MATERIAL

Insulator:Polyester,UL 94V-0
 Standard:Nylon 6T
 Contact Pin:Copper Alloy
 Contact Plating:Gold Flash all over

PBS2-xSA, PBS2-xSB

Female Header 2.0mm 1 Row H=4.0/4.3/4.6mm SMT Type



Recommended PCB Layout
 (PCB TOLERANCE ±0.05)