

SPECIFICATION

Current Rate:3 AMP
 Insulation Resistance:1000M Ω Min.
 Contact Resistance:20m Ω Max.
 Dielectric Voltage:1000V AC for one minute
 Operation Temperature:-40°C to +105°C

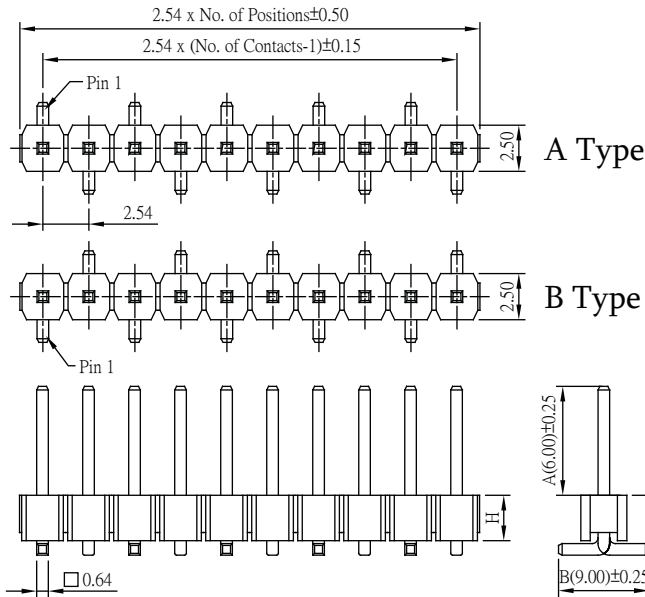
MATERIAL

Insulator:Polyester,UL 94V-0
 Standard:PBT or Nylon 6T
 Contact Pin:Copper Alloy
 Contact Plating:Gold Flash all over

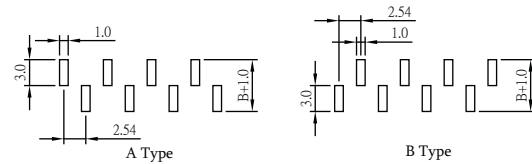
Standart height (H) = 2.5

PLS-xxS

Pin Header 2.54mm 1 Row H=1.5/1.7/2.5mm SMT Type



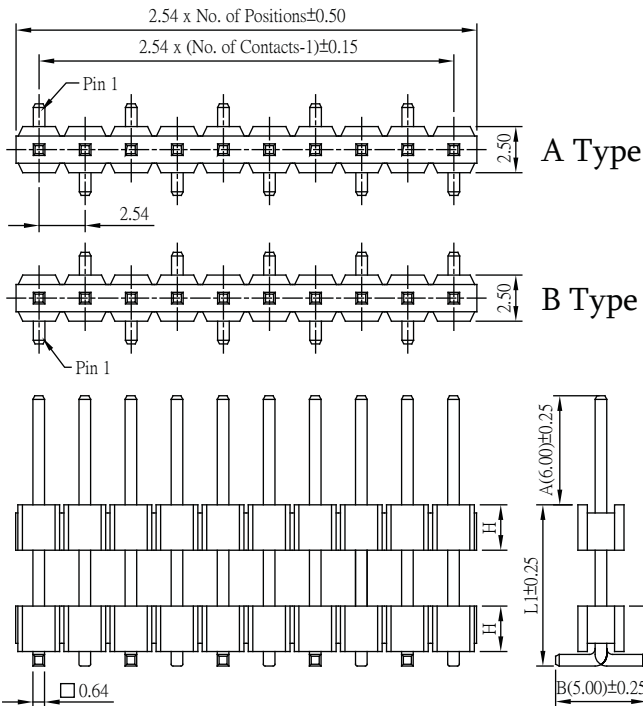
	Code	Dim. A	Dim. B	Dim. C		
				H=1.5	H=1.7	H=2.5
Single Row	600	6.00	9.00	2.3	2.5	3.3
	800	8.00	9.00			



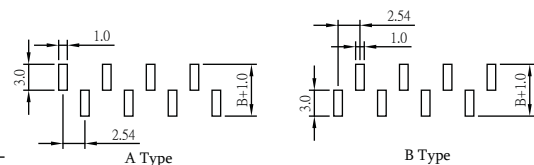
Recommended PCB Layout
 (PCB TOLERANCE ± 0.05)

PLH-xxS

Pin Header 2.54mm 1 Row H=1.5/1.7/2.5mm Stack SMT Type



	Dim. C
H=1.5mm	2.30
H=1.7mm	2.50
H=2.5mm	3.30



Recommended PCB Layout
 (PCB TOLERANCE ± 0.05)