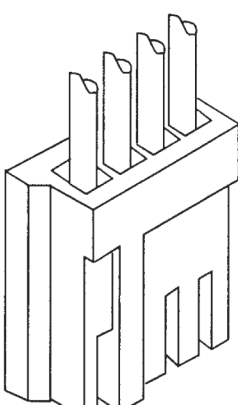
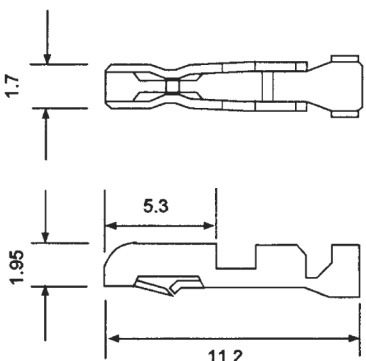


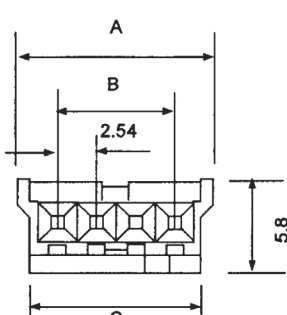
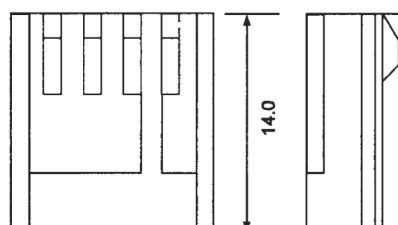
SPS1-T, SPS1-H

АНАЛОГ:

PART NO.	WIRE RANGE		MATERIAL/	THICKNESS	INSULATION	REEL
	AWG#	mm ²	FINISH	mm	O.D.(mm)	PCS
SPS1-T	22-26	0.33-0.1	BRASS/TIN	0.20	1.7-1.3	15000

SPS1

PART	A	B	C
SPS1-H04	12.30	7.59	10.80
SPS1-H03	9.80	5.08	8.30