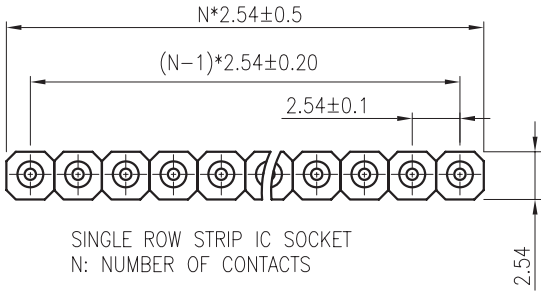
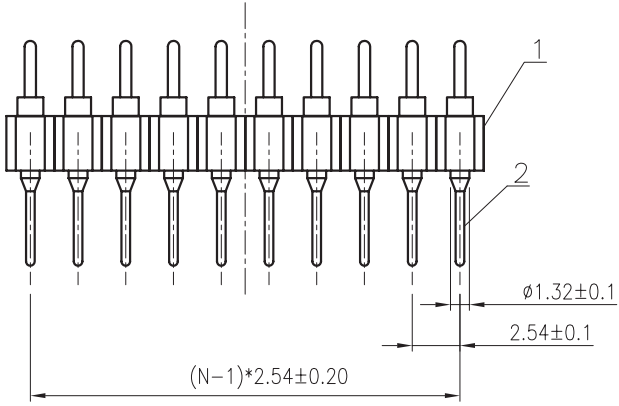
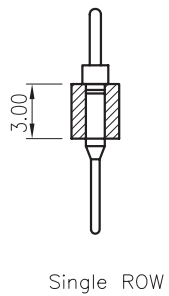
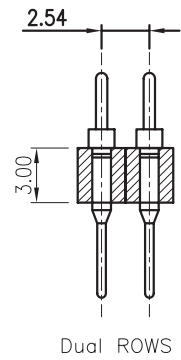


REV.	DESCRIPTION	DRAWN	CHECKED	APPROVED
A	NEW RELEASE	LJH 03/30/06'		



- NOTES:
- ELECTRICAL CHARACTERISTICS:
 - CONTACT RESISTANCE: 20mΩ Max. INITIAL.
 - DIELECTRIC WITHSTANDING VOLTAGE: 500V AC(rms) FOR 1 MINUTE.
 - INSULATION RESISTANCE: 1000MΩ Min.
 - ENVIRONMENT CHARACTERISTICS:
 - OPERATING TEMPERATURE: 0°C~+85°C.
 - STORAGE TEMPERATURE: -20°C~+70°C.
 - PRODUCT NUMBER CODE:

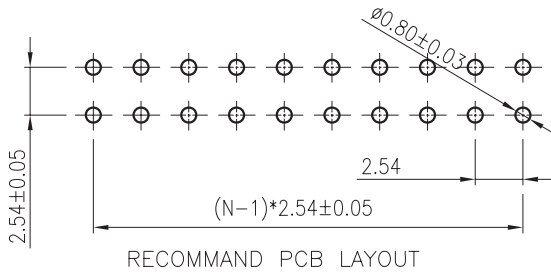
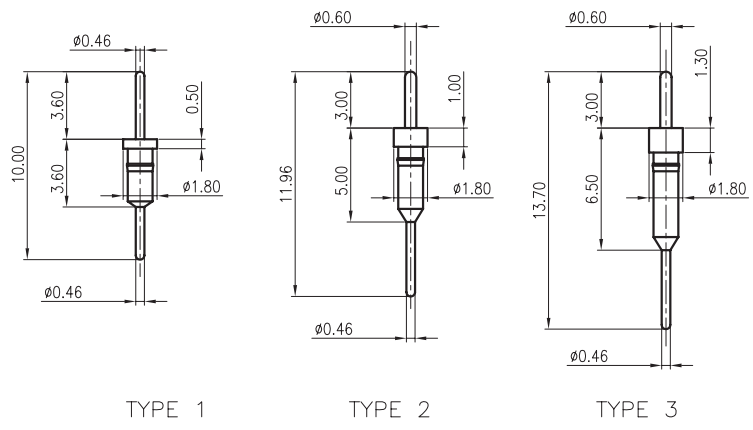


PSLM - X X
 PDLM - X X

CONTACT TYPE
 1: TYPE 1
 2: TYPE 2
 3: TYPE 3

No. of contacts
 40
 2x40

Rows
 S: Single
 D: Dual



TYPE1/2/3 DIA.(TOLERANCE=±0.05)

GENERAL TOLERANCE		ANGLE TOLERANCE	
X.	±0.60	X.	±5'
.X	±0.38	.X	±3'
.XX	±0.25	.XX	±2'

PROJECTION	TITLE	DIP STRIP ADAPTER PITCH 2.54mm	
UNITS	mm	SERIES	
SHEET SIZE	A4		

2	CONTACT		COPPER ALLOY	GOLD FLASH	DRAWING TYPE	CUSTOMER		
1	HOUSING		THERMOPLASTIC	UL 94 V-0	SCALE	1:1	SHEET	10F1
ITEM	PART NAME	PART NO.	MATERILAS	FINISHED	DRAWING NO.			

