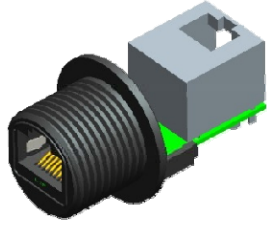

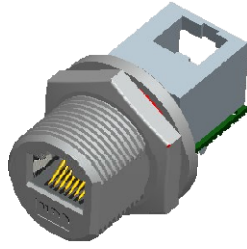
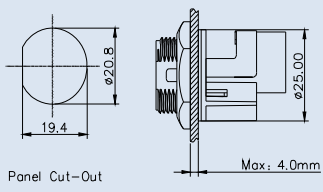
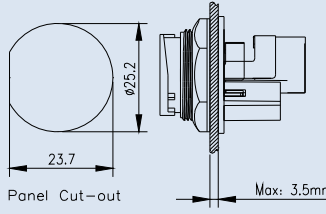
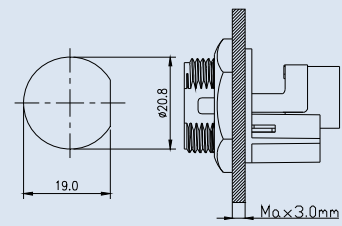


### RJ45 Series, Panel Front Mount

Description	Panel Front Mount, 90° Screw Type, Jack	Panel Front Mount, 90° Lock Bayonet Type, Jack	Panel Front Mount, 90° Screw(Metal) Type, Jack
Figure			

Drawing			
---------	---	--	---

Part Number	Contacts	Part Number	Contacts
	8	33000000-13	8
		33000000-14	8
			33000000-15

### Specifications

Number of Contacts	8		
Wire Gauge	24AWG		
Panel Thickness	Max. 4.0mm	Max. 3.5mm	Max. 4.0mm
Environmental Protection	IP67	IP67	IP67
Mechanical Life	500 mating cycles		
Operating Temperature	- 40°C - 85°C		