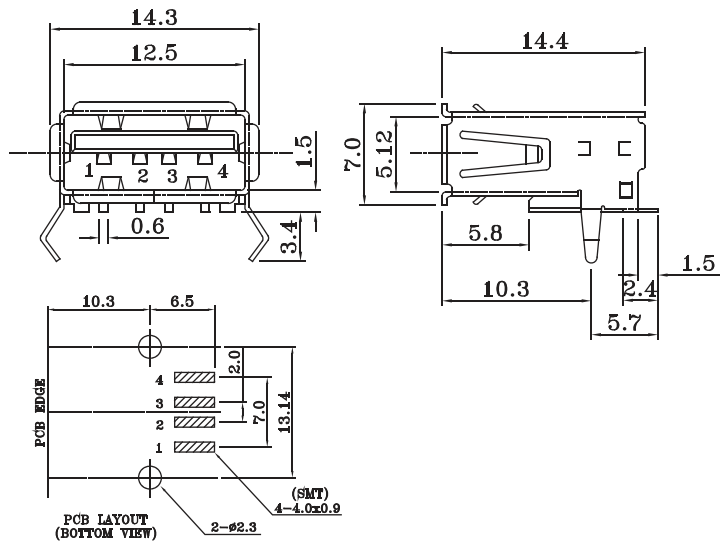


# USBA-F-SM

USB Female SMT 90° A type



## Features

Housing: Nylon 9T G.F.

Finish: Black/White

Pin term.: Copper Alloy T: 0.25

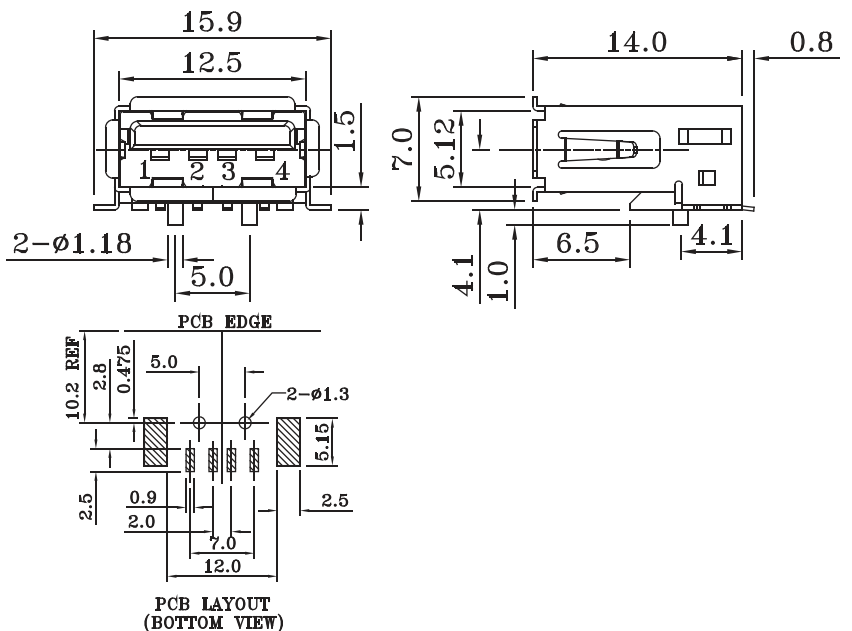
Finish: Gold/Tin Plated

Shell: Brass T: 0.3

Finish: Nikel Plated

# USBA-F-SMP

USB Female SMT 90° A type with PEG



## Features

Housing: Nylon 9T G.F.

Finish: Black/White

Pin term.: Copper Alloy T: 0.25

Finish: Gold/Tin Plated

Shell: Brass T: 0.3

Finish: Nikel Plated