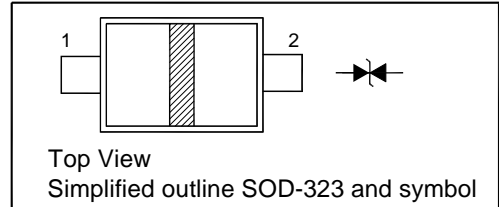


# MM3DZ18

## Silicon Planar Bi-directional Zener Diodes

### PINNING

PIN	DESCRIPTION
1	Cathode
2	Anode

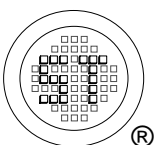


### Absolute Maximum Ratings ( $T_a = 25\text{ }^\circ\text{C}$ )

Parameter	Symbol	Value	Unit
Power Dissipation	$P_D$	200	mW
Junction Temperature	$T_j$	150	$^\circ\text{C}$
Storage Temperature Range	$T_{stg}$	- 55 to + 150	$^\circ\text{C}$

### Characteristics at $T_a = 25\text{ }^\circ\text{C}$

Parameter	Symbol	Min.	Max.	Unit
Zener Voltage at $I_Z = 1\text{ mA}$	$V_Z$	16.2	19.8	V
Reverse Current at $V_R = 13\text{ V}$	$I_R$	-	100	nA
Capacitance between Terminals at $V_R = 0\text{ V}$ , $f = 1\text{ MHz}$	$C_T$	-	30	pF



**SEMTECH ELECTRONICS LTD.**  
Subsidiary of Sino-Tech International (BVI) Limited



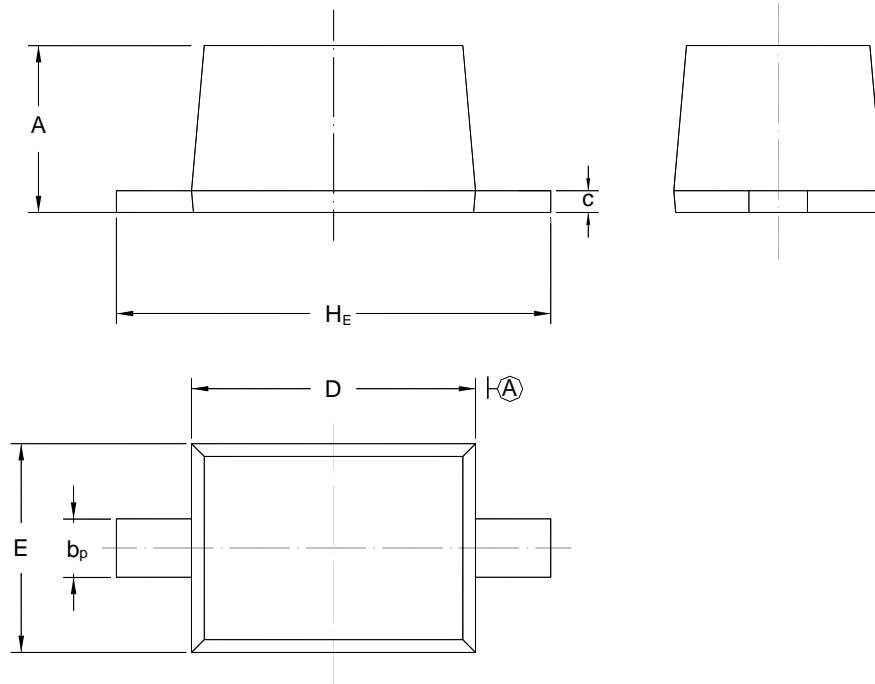
Dated: 04/05/2012 Rev: 01

# MM3DZ18

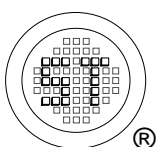
## PACKAGE OUTLINE

Plastic surface mounted package; 2 leads

SOD-323



UNIT	A	b <sub>p</sub>	C	D	E	H <sub>E</sub>
mm	1.10 0.80	0.40 0.25	0.15 0.10	1.80 1.60	1.35 1.15	2.80 2.30



**SEMTECH ELECTRONICS LTD.**  
Subsidiary of Sino-Tech International (BVI) Limited



Dated: 04/05/2012 Rev: 01