

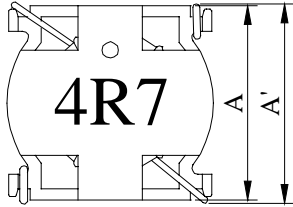
SPECIFICATION FOR APPROVAL

REF :

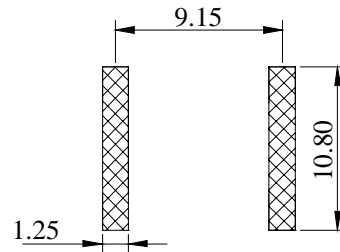
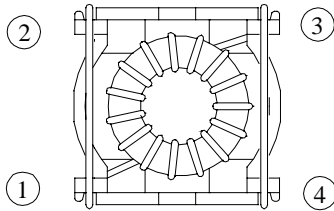
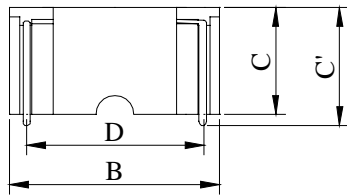
PAGE: 1

PROD. NAME SMD TOROIDAL POWER FILTER	ABC'S DWG NO.	ST1209□□□□L□
	ABC'S ITEM NO.	

I . CONFIGURATION & DIMENSIONS :

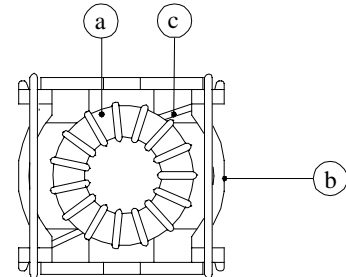
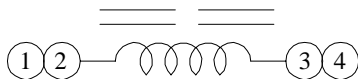


- A : 10.80 ± 0.3 m / m
- A' : 11.20 max. m / m
- B : 10.90 ± 0.3 m / m
- C : 7.90 typ. m / m
- C' : 8.90 max. m / m
- D : 9.15 typ. m / m



(PCB Pattern)

II . SCHEMATIC DIAGRAM :



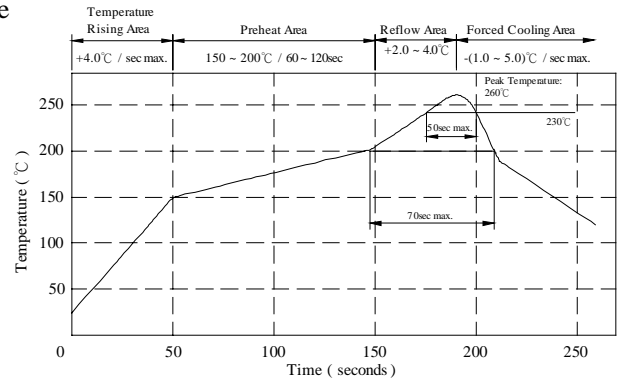
III . MATERIALS :

- a . Core : Iron toroidal core
 - b . Case : PPS-R7
 - c . Wire : Enamelled copper wire (Class F)
 - d . Adhesive : Epoxy resin
 - e . Remark : lead content 200ppm max. include ferrite
- Lead content under RoHS regulation.

IV . GENERAL SPECIFICATION :

- a . Temp. rise : 40°C typ.
- b . Storage Temp. : -40°C ----+125°C
- c . Operating Temp. : -25°C ----+125°C
- d . Resistance to solder heat : 260°C .10 Secs.

Peak Temp : 260°C max.
 Max time above 230°C : 50sec max.
 Max time above 200°C : 70sec max.



AE-001A

SPECIFICATION FOR APPROVAL

REF :

PAGE: 2

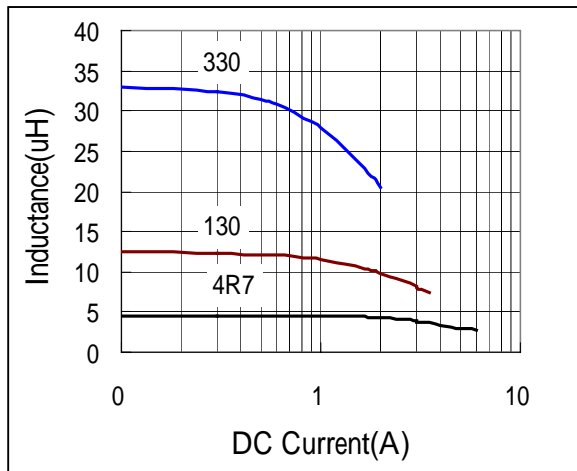
PROD. NAME	SMD TOROIDAL POWER FILTER	ABC'S DWG NO.	ST1209□□□□L□
		ABC'S ITEM NO.	

V . ELECTRICAL CHARACTERISTICS :

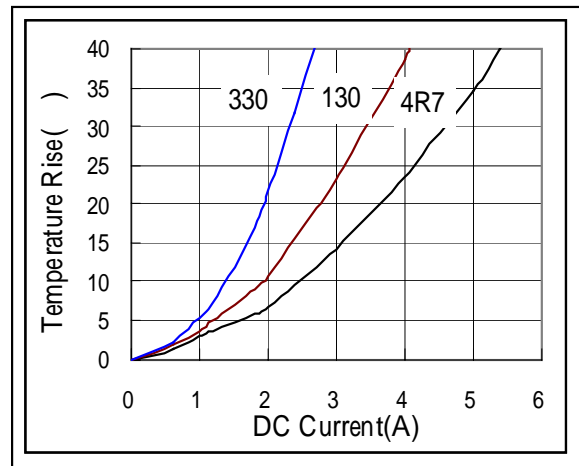
DWG No.	Inductance @10KHz, 0.1 Vrms (μH)	RDC(mΩ) (Each Winding)		Irms(A) typ.	Isat(A) typ.
		max.	typ.		
ST12094R7ML□	4.70 ± 20%	18.0	13.7	5.4	5.10
ST1209130ML□	13.00 ± 20%	38.0	28.8	4.0	3.00
ST1209330ML□	33.00 ± 20%	86.0	66.3	2.6	1.85

- 1). □ : Packaging information ... Bulk Taping Reel
- 2). Irms base on Temp. rise 40°C typ.
- 3). Isat base on $\Delta L/L0A=35\%$ typ.

@ Inductance VS. DC Current Curve



@ DC Current VS. Temp. Rise (ΔT) Curve



SPECIFICATION FOR APPROVAL

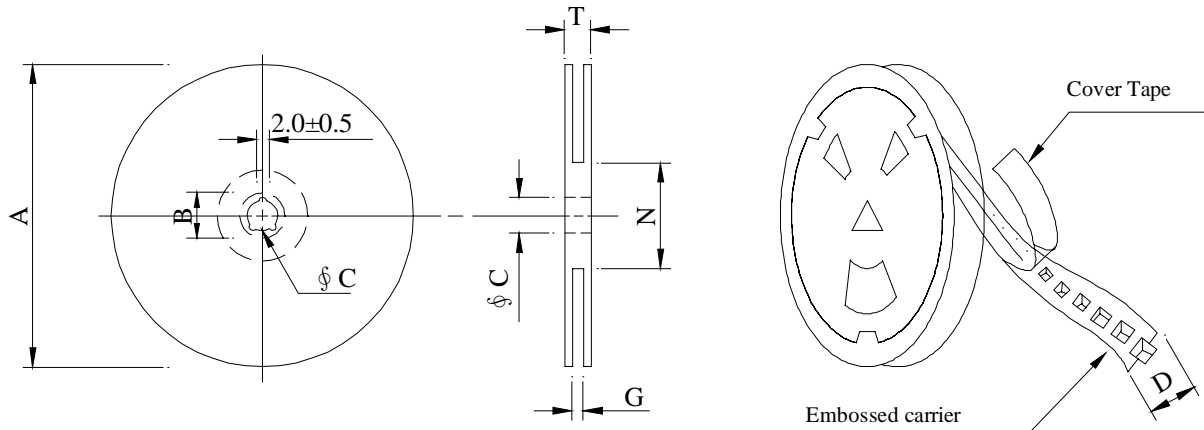
REF :

PAGE: 3

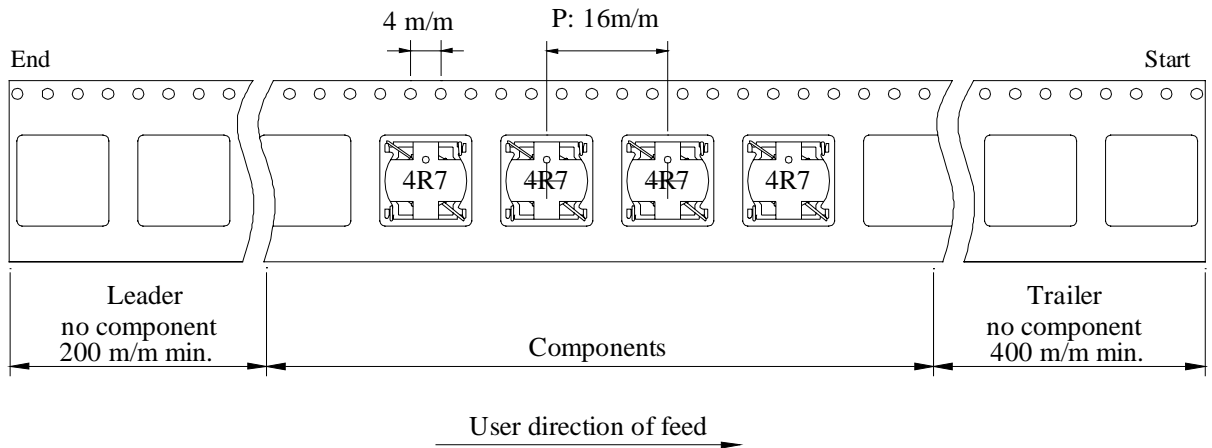
PROD. NAME	SMD TOROIDAL POWER FILTER	ABC'S DWG NO.	ST1209□□□□L□
		ABC'S ITEM NO.	

VI . PACKAGING INFORMATION :

(1) Configuration



※Carrier tape width : D



(2) Dimensions : (m/m)

Style	A	B	C	D	G	N	T
13 - 24	330	21±0.8	13±0.5	24	26 ⁺⁰	50 ⁻⁰	30.4

(3) Q'TY & G.W. Per package :

Type	Inner : Reel			Outer : Carton		
	Q'TY (pcs)	G.W. (gw)	Style	Q'TY (pcs)	G.W. (kg)	Size (cm)
ST1209	400	750	13 - 24	1600	4.0	40 x 40 x 24

AE-001A

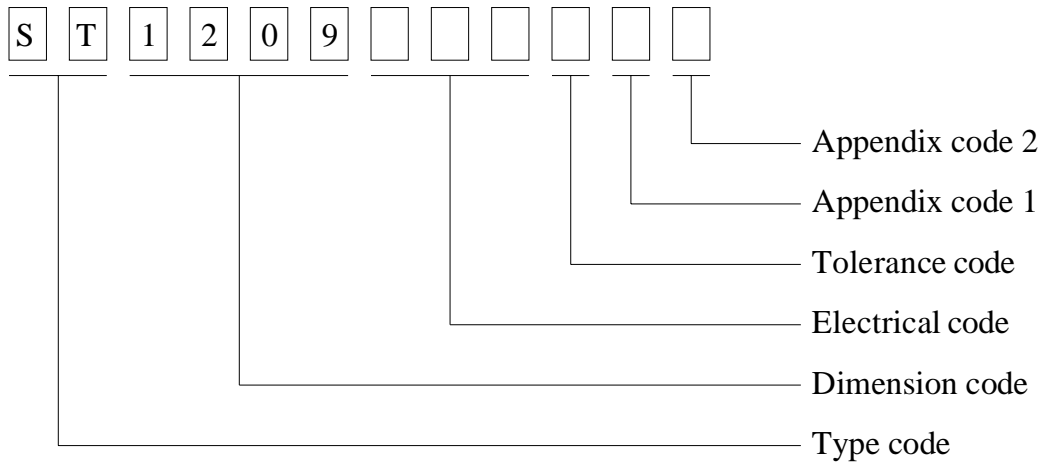
SPECIFICATION FOR APPROVAL

REF :

PAGE: 4

PROD. NAME	SMD TOROIDAL POWER FILTER	ABC'S DWG NO.	ST1209□□□□L□
		ABC'S ITEM NO.	

VII . DWG EXPRESSION :



Appendix code 1 : S : Standard products
 A ~ K , M ~ R , T ~ Z : Special products
 L : Standard Lead Free products
 1 ~ 9 : Special Lead Free products

Appendix code 2 :

Code	Inner Package	Inner Package Q'TY	Remark
A	Empty	Empty	
B	T / R (Reel Package)	400 pcs	

SPECIFICATION FOR APPROVAL

REF :

PAGE: 5

PROD. NAME	SMD TOROIDAL POWER FILTER	ABC'S DWG NO.	ST1209□□□□L□
		ABC'S ITEM NO.	

VIII . RELIABILITY TEST :

Test item	Specification	Test condition						
Solderability	More than 90% of the terminal electrode shall be covered With fresh solder.	Preheat : 150±25°C for 60 seconds Solder : Sn96.5 / Ag3 / Cu0.5 or equivalent Solder temp. : 235±5°C Flux : Rosin Dip time : 4±1 seconds						
Thermal shock test (Temp. cycle)	Inductance shall not change more than ±20%	<table style="width: 100%; border: none;"> <tr> <td style="border: none;">Room temp. 15 minutes</td> <td style="border: none; text-align: center;">→</td> <td style="border: none; text-align: center;">-25±2 °C 30 minutes</td> </tr> <tr> <td style="border: none;">Room temp. 15 minutes</td> <td style="border: none; text-align: center;">→</td> <td style="border: none; text-align: center;">85±2 °C 30 minutes</td> </tr> </table> <p>Total : 50 cycles</p>	Room temp. 15 minutes	→	-25±2 °C 30 minutes	Room temp. 15 minutes	→	85±2 °C 30 minutes
Room temp. 15 minutes	→	-25±2 °C 30 minutes						
Room temp. 15 minutes	→	85±2 °C 30 minutes						
Humidity Resistance test		Temperature : 40±2°C Humidity : 90 ~ 95% Applied current : Per spec. Time : 500 hours						
High temp. Resistance test		Temperature : 85±2°C Applied current : Per spec. Time : 500 hours						

AE-001A

SPECIFICATION FOR APPROVAL

REF :

PAGE: 6

PROD. NAME	SMD TOROIDAL POWER FILTER	ABC'S DWG NO. ABC'S ITEM NO.	ST1209□□□□L□
---------------	---------------------------	---------------------------------	--------------

IX . UL CARD :

OBMW2 September 8, 2000
Magnet Wire-Component
JUNG SHING WIRE CO LTD E174837
231 CHUNG CHENG RD, SEC 3 JEN-TEH HSIANG, TAINAN
HSIEN TAIWAN

Mtl Dsg	Mark Dsg	BC	Coat Typ	OC	ANSI Type	Temp Class
AIW	---	Polyamideimide	---	---	MW81-C	220
CFUEWB	---	Polyurethane	---	---	MW75C	130
EIAIW	---	Polyesterimide	Polyamideimide	---	MW35C	200
EILOCKY	---	Polyesterimide	Polyamide	---	---	180
EILOCKW	---	Polyesterimide	Modified Epoxy	---	---	200
EIW	---	Polyesterimide	---	---	---	220
EIW-2	---	Polyesterimide	---	---	MW74-C	200
FL.EILOCKY	---	Modified Polyester	Polyamide	---	---	155
LSFFW	---	Polyurethane	---	---	MW79-C	155
LSUEW	---	Polyurethane	---	---	---	130
PEW	---	Polyester	---	---	---	155
PEY	---	Polyester	Nylon	---	MW24-C	155
SF.FLW	---	Modified Polyester	---	---	MW26C	155
SF.EIW	---	Polyesterimide	---	---	MW77C	180
SF.BY@	---	Modified Polyester	Nylon	---	MW27-C	155
SF.FLY@	---	Modified Polyester	Nylon	---	MW27-C	155
SF.BLOCKBS	---	Modified Polyester	Modified Polyamide	---	---	155
SF.EILOCKY#	---	Polyesterimide	Polyamide	---	---	180
SF.EILOCKBS	---	Polyesterimide	Modified Polyamide	---	---	180
SF.BW@	---	Modified Polyester	---	---	MW26C	155
SFFW	---	Polyurethane	---	---	MW79	155

A not-for-profit organization dedicated to public safety and committed to quality service

287806002 Page 1 of 2

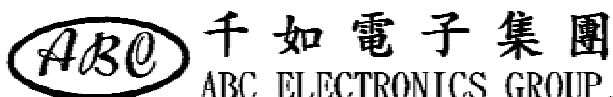
Mtl Dsg	Mark Dsg	BC	Coat Typ	OC	ANSI Type	Temp Class
SFFY	---	Polyurethane	Polyamide	---	MW80C	155
UEW-1	---	Polyurethane	---	---	MW2-C	105
UEW-2	---	Polyurethane	---	---	---	130
UEW-4	---	Polyurethane	---	---	MW75C	130
UEY	---	Polyurethane	Nylon	---	MW28-C	130
UEY-2	---	Polyurethane	Polyamide	---	MW28-C	130

@ - May be suffixed by LZ; # - May be suffixed by LZ, EL or LZL.
LZ - Signifies magened wires twisted together; EL - signifies base coated magnet wire laid parallel with top coat applied overall; LZL - signifies base coated magnet wire twisted together and covered with top coat overall.
Marking: Company name or trademarks (JSW) or 聚鼎神樂, material designation or marked designation on packaed or reel, and Recognized Component Mark.

See General Information Preceding These Recognitions
For use only in equipment where the acceptability of the combination is determined by Underwriters Laboratories Inc.

287806002 Page 2 of 2 OBMW2E174837
September 8, 2000

AE-001A



SPECIFICATION FOR APPROVAL

REF :

PAGE: 7

PROD. NAME	SMD TOROIDAL POWER FILTER	ABC'S DWG NO.	ST1209□□□□L□
		ABC'S ITEM NO.	

QMFZ2		Wednesday, January 22, 2003										
Component-Plastics												
CHEVRON PHILLIPS CHEMICAL CO L P		E54700										
Mti Dsg	Col	Min Thk mm	UL94 Flame Class	Elec	RTI Imp	Mech Str	H W I	H A I	H V T R	D 4 5	C 9 5	T 4 4
Polyphenylene sulfide (PPS), glass reinforced, designated "RYTON", furnished as pellets.												
R-4-230NA	NC	0.38	V-0	130	130	130	—	—	4	5	4	
		0.71	V-0	200	200	200	4	1	4	5	4	
		1.5	V-0	220	200	220	0	0	4	5	4	
		1.8	5VA	220	200	220	—	—	4	5	4	
		3.0	V-0, 5VA	220	200	220	0	0	4	5	4	
		6.0	V-0, 5VA	220	200	220	0	0	4	5	4	
Report : 12/07/1982												
Sunday, August 23, 1998												
Polyphenylene sulfide (PPS), glass reinforced, mineral reinforced, designated "RYTON", furnished as pellets.												
R-7	NC,BK,TN	0.71	V-0	200	200	200	1	0	0	5	3	
		1.5	V-0	220	220	220	1	0	0	5	3	
		3.0	V-0	220	220	220	1	0	0	5	3	
		6.0	V-0	220	220	220	—	—	0	5	3	
Report : 08/30/1983												
Underwriters Laboratories Inc. ®										984485002		

AE-001A

