

# ***DM114 、 DM115***

---

*Version* : A.007  
*Issue Date* : 2007/03/07  
*File Name* : SP-DM114,115-A.007  
*Total Pages* : 26

***8-Bit CONSTANT CURRENT LED DRIVERS with  
3.3v ~ 5v supply voltage***



## DM114、DM115

# 8-Bit CONSTANT CURRENT LED DRIVERS with 3.3v ~ 5v Supply Voltage

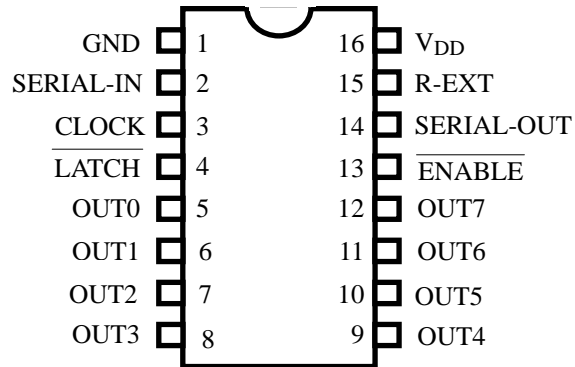
### General Description

The DM114、DM115 is the constant current driver specifically designed for LED display applications. The value of constant current can be varied using an external resistor. The devices include an 8-bit shift register, latches, and constant current drivers on a single Silicon CMOS chip.

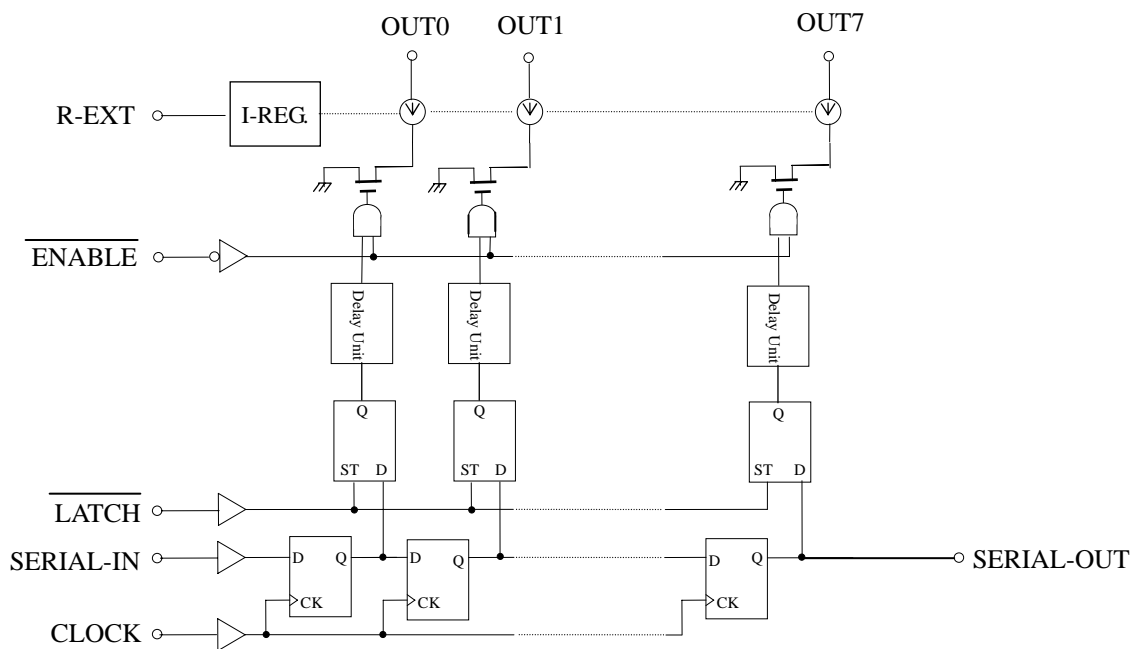
### Features

- Maximum Output Voltage: 17V
- Maximum Clock Frequency: 25MHz (Cascade Operation)
- Power Supply Voltage: 3.3V to 5.0V
- CMOS Compatible Input
- Package: PDIP16, SOP16, SSOP16
- Package and Pin Layout: Pin layout and functionality are similar to those of the ST2221A. (Each characteristic value is different.)
- Constant Current Matching: (Ta = 25°C、VDD = 5.0V)
  - Chip-to-Chip: ± 10.0%
  - DM114: Bit-to-Bit: ± 4.0% @ IOUT = 30 ~ 90mA  
± 6.0% @ IOUT = 20 ~ 30mA
  - DM115: Bit-to-Bit: ± 4.0% @ IOUT = 20 ~ 60mA  
± 6.0% @ IOUT = 5 ~ 20mA

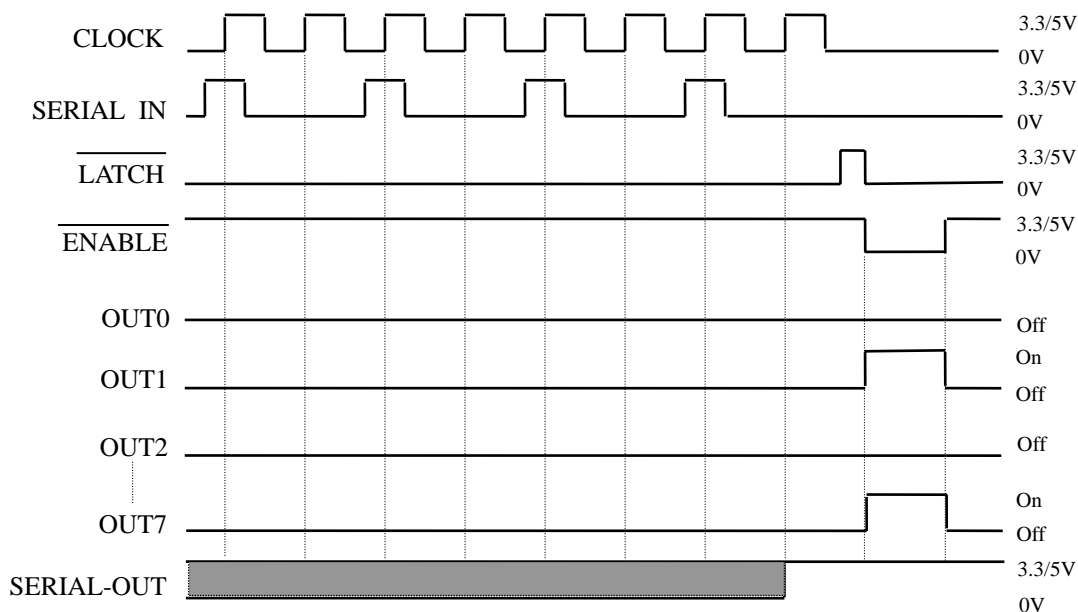
## Pin Connection (Top view)



## Block Diagram



## Timing Diagram



(Note) Latches are level sensitive (not edge triggered).

$\overline{\text{LATCH}}$ -terminal = H level, latches become transparent;  $\overline{\text{LATCH}}$ -terminal = L level, latches hold data.

$\overline{\text{ENABLE}}$ -terminal = H level, all outputs (OUT0~7) are off.

An external resistor is connected between R-EXT and GND for setting up the value of constant current.

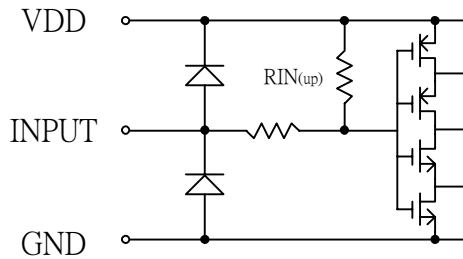
SERIAL-OUT changes state on the rising edges of clock.

## Pin Description

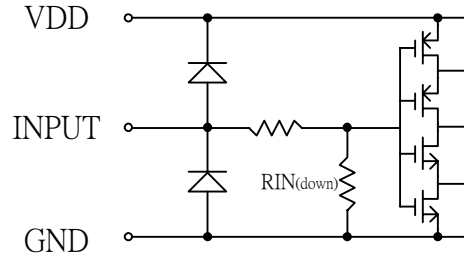
PIN No.	PIN NAME	FUNCTION
1	GND	GND terminal
2	SERIAL-IN	Input terminal of a data shift register
3	CLOCK	Input terminal of a clock for shift register
4	$\overline{\text{LATCH}}$	Input terminal for data strobe
5~12	OUT0~7	Output terminals
13	$\overline{\text{ENABLE}}$	Input terminal for output enable (active low)
14	SERIAL-OUT	Output terminal of a data shift register
15	R-EXT	Input terminal of an external resistor
16	V <sub>DD</sub>	3.3/5V Supply voltage terminal

## Equivalent Circuit of Inputs and Outputs

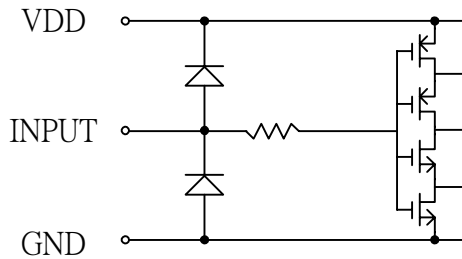
### 1. $\overline{\text{ENABLE}}$ terminal



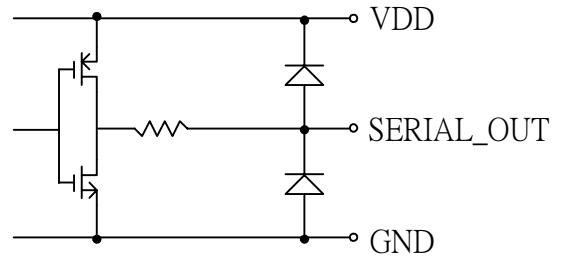
### 2. $\overline{\text{LATCH}}$ terminal



### 3. CLOCK, SERIAL-IN terminal



### 4. SERIAL-OUT terminal



## Maximum Ratings (Ta = 25°C, Tj(max) = 150°C)

CHARACTERISTIC	SYMBOL	RATING	UNIT
Supply Voltage	VDD	0 ~ 7.0	V
Input Voltage	VIN	-0.4 ~ VDD+0.4	V
Output Current	IOUT	90 (DM114)	mA
		60 (DM115)	
Output Voltage	VOUT	-0.3 ~ 17	V
Clock Frequency	fCLK	25	MHz
GND Terminal Current	IGND	750	mA
		500	
Power Dissipation	PD	1.64 (PDIP-16 : Ta=25°C)	W
		1.08 (SOP-16 : Ta=25°C)	
		0.8 (SSOP-16 : Ta=25°C) single-layer	
		1.47 (SSOP-16 : Ta=25°C) 4-layer	
Thermal Resistance	Rth(j-a)	76 (PDIP-16)	°C/W
		115 (SOP-16)	
		155 (SSOP-16) single-layer	
		85 (SSOP-16) 4-layer	
Storage Temperature	Tstg	-55 ~ 150	°C

## Recommended Operating Condition

CHARACTERISTIC	SYMBOL	CONDITION	MIN.	TYP.	MAX.	UNIT
Supply Voltage	VDD	—	3.0	—	5.5	V
Output Voltage	VOUT	—	—	—	17	V
Operating temperature	T <sub>OPR</sub>	—	-40	—	85	°C
Output Current	I <sub>O</sub>	OUTn	—	—	60	mA
	I <sub>OH</sub>	SERIAL-OUT	—	—	1.0	
	I <sub>OL</sub>	SERIAL-OUT	—	—	-1.0	
Input Voltage	V <sub>IH</sub>	—	0.7VDD	—	VDD+0.3	V
	V <sub>IL</sub>	—	-0.3	—	0.3VDD	
LATCH Pulse Width	tw <sub>LAT</sub>	VDD = 3.0 ~ 5.5 V	15	—	—	ns
CLOCK Pulse Width	tw <sub>CLK</sub>		15	—	—	ns
Set-up Time for DATA	t <sub>setup(D)</sub>		10	—	—	ns
Hold Time for DATA	t <sub>hold(D)</sub>		5	—	—	ns
Set-up Time for LATCH	t <sub>setup(L)</sub>		15	—	—	ns
Clock Frequency	fCLK	2 chips cascade operation	—	—	25	MHz
Power Dissipation	PD	Ta = 85°C(PDIP-16)	—	—	0.85	W
		Ta = 85°C(SOP-16)	—	—	0.56	
		Ta = 85°C(SSOP-16)	—	—	0.41	

**Electrical Characteristics** (VDD = 5.0 V, Ta = 25°C unless otherwise noted)

CHARACTERISTIC	SYMBOL	CONDITION	MIN.	TYP.	MAX.	UNIT	
Input Voltage "H" Level	V <sub>IH</sub>	—	0.7VDD	—	VDD	V	
Input Voltage "L" Level	V <sub>IL</sub>	—	GND	—	0.3VDD	V	
Input Current	SERIAL_IN	I <sub>IH</sub>	SERIAL_IN = VDD	—	—	1	uA
		I <sub>IL</sub>	SERIAL_IN = GND	—	—	1	
	CLOCK	I <sub>IH</sub>	CLOCK = VDD	—	—	1	uA
		I <sub>IL</sub>	CLOCK = GND	—	—	1	
	LATCH	I <sub>IH</sub>	LATCH = VDD	16	—	50	uA
		I <sub>IL</sub>	LATCH = GND	—	—	1	
ENABLE	I <sub>IH</sub>	ENABLE = VDD	—	—	1	uA	
	I <sub>IL</sub>	ENABLE = GND	8.3	—	25		
Output Leakage Current	I <sub>OH</sub>	VOH = 17 V	—	—	1.0	uA	
Output Voltage (S - OUT)	V <sub>OL</sub>	I <sub>O</sub> L = 1.0 mA, VDD = 5V	—	—	0.4	V	
	V <sub>OH</sub>	I <sub>O</sub> H = -1.0 mA, VDD = 5V	4.6	—	—		
	V <sub>OL</sub>	I <sub>O</sub> L = 1.0 mA, VDD = 3.3V	—	—	0.4		
	V <sub>OH</sub>	I <sub>O</sub> H = -1.0 mA, VDD = 3.3V	2.7	—	—		
Output Current (Bit-Bit)	Δ I <sub>out</sub>	DM114 VOUT = 1.2V DM115 (1 channel on)	REXT = 390Ω REXT = 780Ω	—	±1.5	±4	%
Output Current (Chip-Chip)	I <sub>out</sub>	DM114 VOUT = 1.2V DM115 (1 channel on)	REXT = 390Ω REXT = 780Ω	36.0 18.0	40.0 20.0	44.0 22.0	mA
Output Voltage Regulation	% / V <sub>out</sub>	V <sub>dd</sub> = 3.3V ~ 5.0V	—	0.1	0.5	% / V	
Pull-Up Resistor	R <sub>IN(up)</sub>	—	200	400	600	KΩ	
Pull-Down Resistor	R <sub>IN(down)</sub>	—	100	200	300	KΩ	
Supply Current "OFF"	I <sub>dd (off)</sub> VDD=5V	DM114	REXT = OPEN, all outputs off	—	1.3	—	mA
			REXT = 200Ω, OUT0~7 = off	—	11.0	—	
		DM115	REXT = OPEN, all outputs off	—	5.0	—	
			REXT = 300Ω, OUT0~7 = off	—	11.0	—	
Supply Current "ON"	I <sub>dd (on)</sub> VDD=5V	DM114	REXT = 200Ω, OUT0~7 = on	—	11.0	—	
		DM115	REXT = 300Ω, OUT0~7 = on	—	11.0	—	
Supply Current "OFF"	I <sub>dd (off)</sub> VDD=3.3V	DM114	REXT = OPEN, all outputs off	—	1.1	—	mA
			REXT = 200Ω, OUT0~7 = off	—	10.7	—	
		DM115	REXT = OPEN, all outputs off	—	1.1	—	
			REXT = 300Ω, OUT0~7 = off	—	7.2	—	
Supply Current "ON"	I <sub>dd (on)</sub> VDD=3.3V	DM114	REXT = 200Ω, OUT0~7 = on	—	10.7	—	
		DM115	REXT = 300Ω, OUT0~7 = on	—	7.2	—	

## Switching Characteristics (Ta = 25 °C unless otherwise noted)

### DM114

CHARACTERISTIC	SYMBOL	CONDITION	MIN.	TYP.	MAX.	UNIT
Propagation Delay Time ("L" to "H")	ENABLE-OUTn	VDD=5.0V VIH=VDD VIL=GND	—	40	80	ns
	CLK-SOUT		—	16	20	
Propagation Delay Time ("H" to "L")	ENABLE-OUTn	REXT=210Ω VL=5.0V RL=47Ω	—	70	140	ns
	CLK-SOUT		—	16	20	
Output Current Rise Time	tor	CL=15pF	—	250	400	ns
Output Current Fall Time	tof		—	30	50	ns

### DM115

CHARACTERISTIC	SYMBOL	CONDITION	MIN.	TYP.	MAX.	UNIT
Propagation Delay Time ("L" to "H")	ENABLE-OUTn	VDD=5.0V VIH=VDD VIL=GND	—	40	80	ns
	CLK-SOUT		—	16	20	
Propagation Delay Time ("H" to "L")	ENABLE-OUTn	REXT=630Ω VL=5.0V RL=150Ω	—	70	140	ns
	CLK-SOUT		—	16	20	
Output Current Rise Time	tor	CL=15pF	—	10	15	ns
Output Current Fall Time	tof		—	30	50	ns

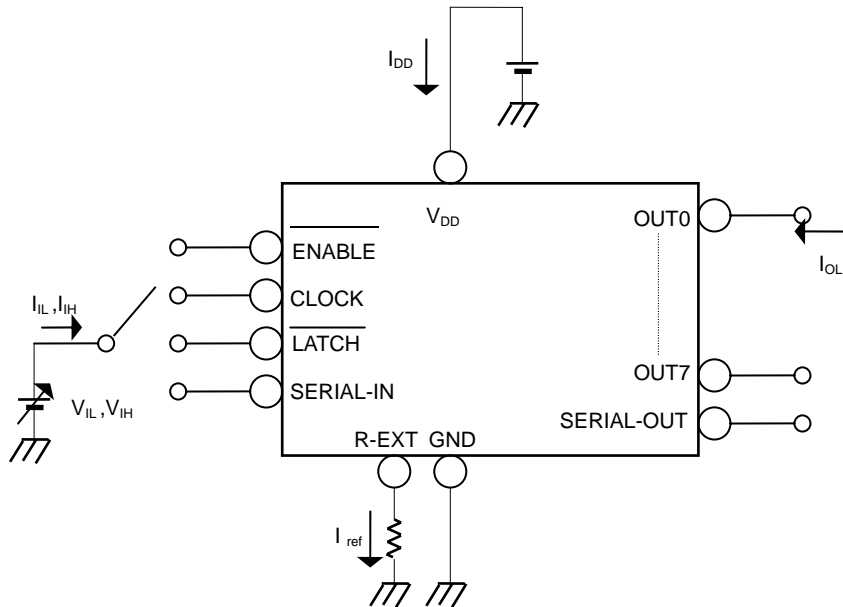
### Note: (Delay between outputs)

The DM114、DM115 also incorporated the delay unit between outputs. The delay time is 4 ns(typ.), out7 has no delay, out5 has 4 ns delay, out 3 has 8 ns delay, and then out 1, out 0, out 2, out 4, out6. The delay is to prevent large current impulse.

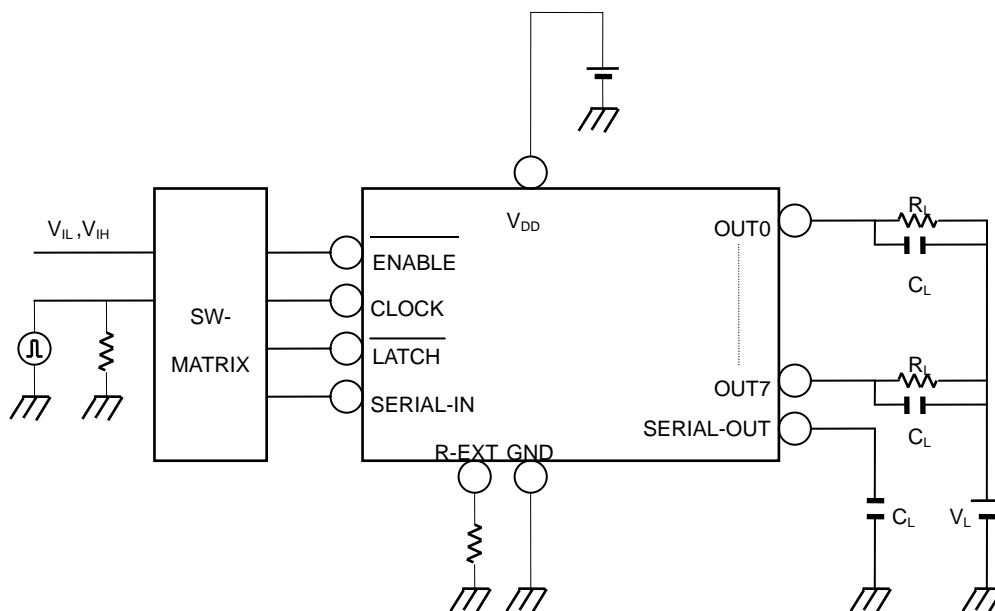


## Test Circuit

DC characteristic

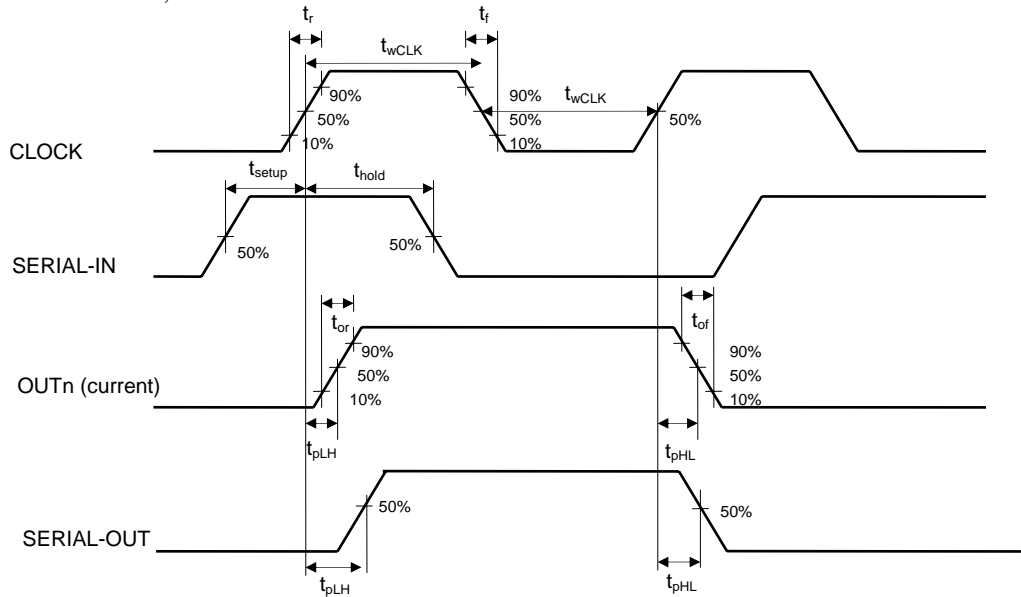


AC characteristic

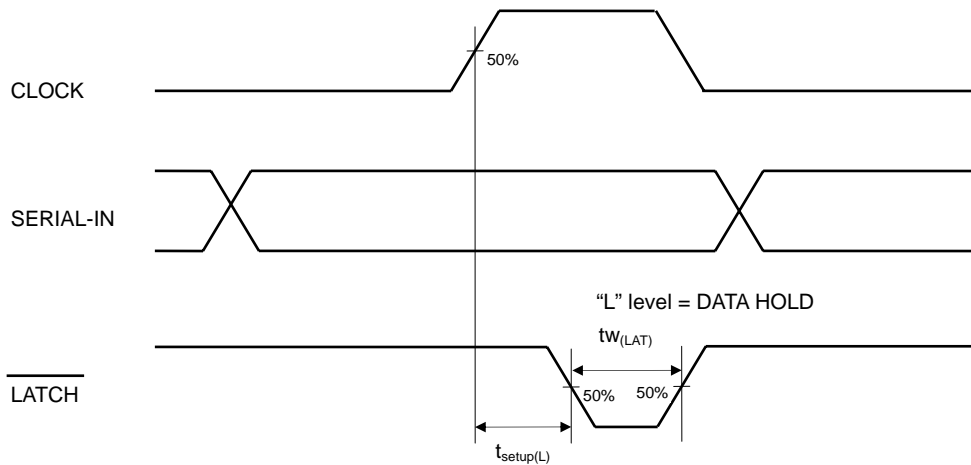


## Timing Diagram

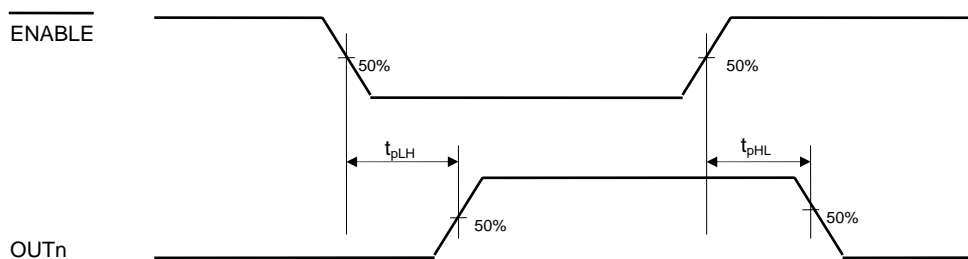
### 1. CLOCK-SERIAL OUT, OUTn



### 2. CLOCK-LATCH

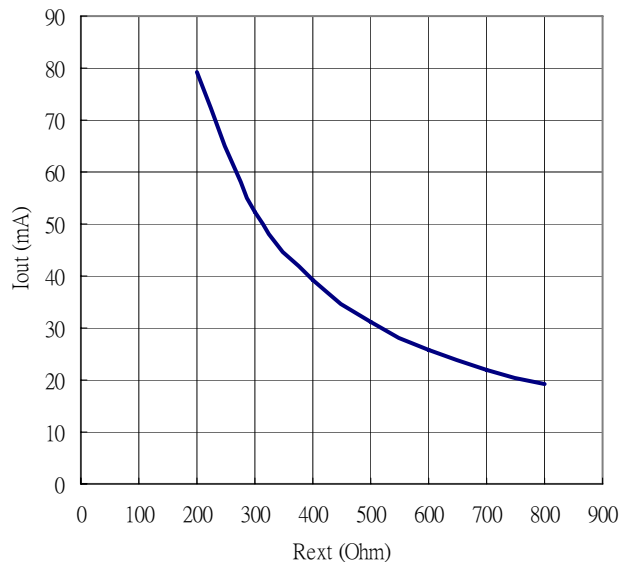


### 3. ENABLE-OUTn (Current)



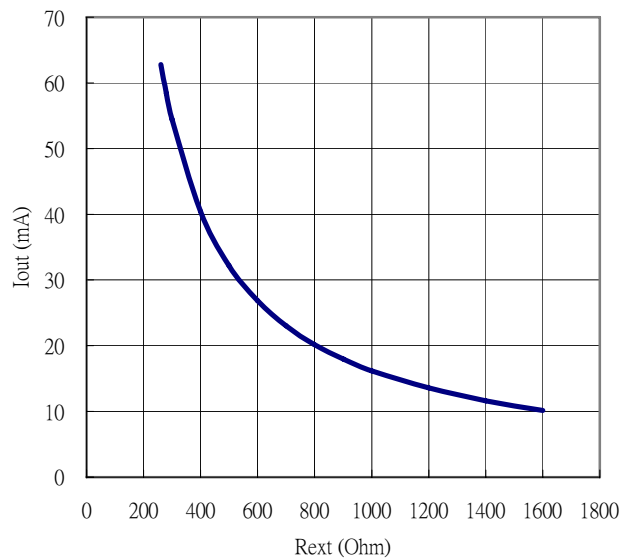
## Output Current vs. External Resistor

DM114



DM114:  $I_{out} \approx 1.3V / R_{ext} * 12$

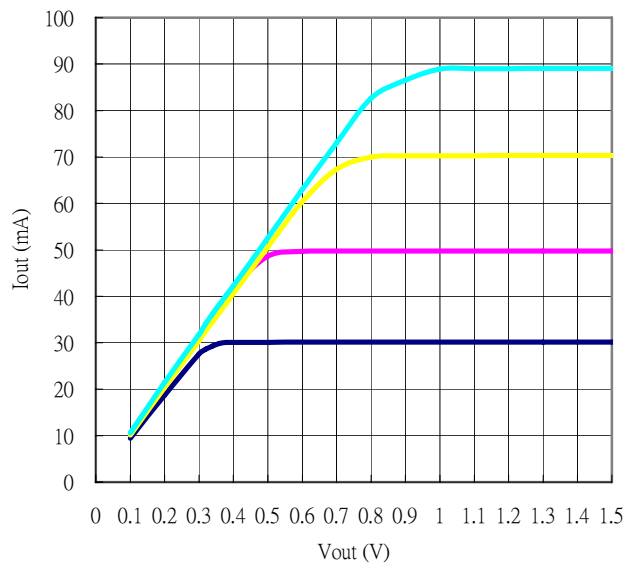
DM115



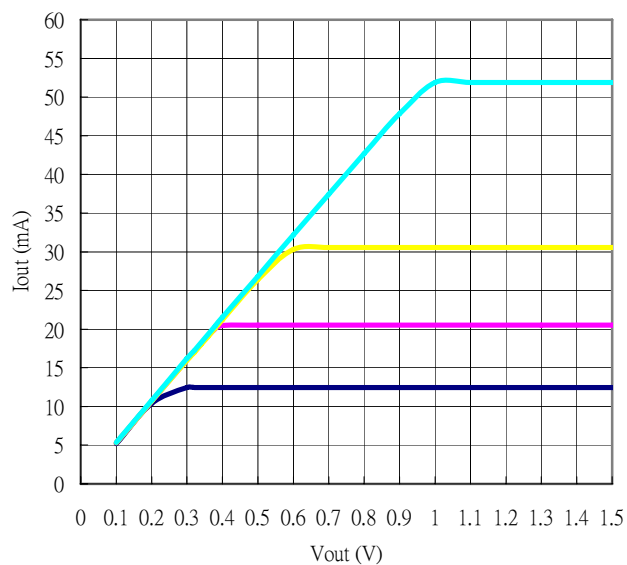
DM115:  $I_{out} \approx 1.3V / R_{ext} * 12.5$

## Output Current Performance vs. Output Voltage

DM114

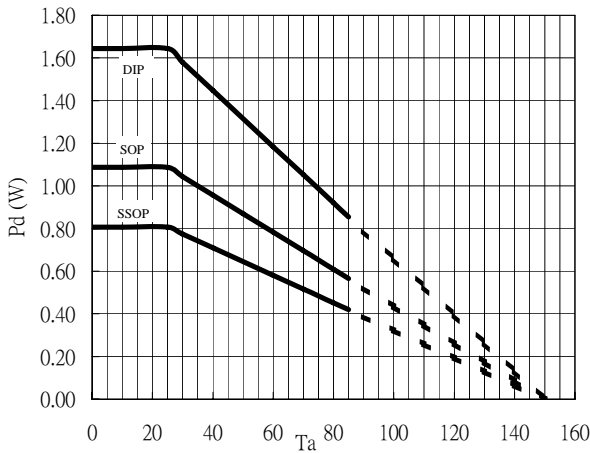


DM115

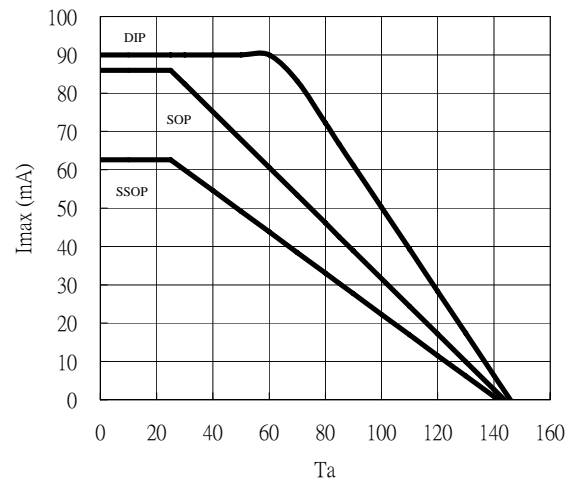


**Note:** In order to obtain a good constant current output, a suitable output voltage is necessary. Users can get related information about the minimum output voltage from the above graph.

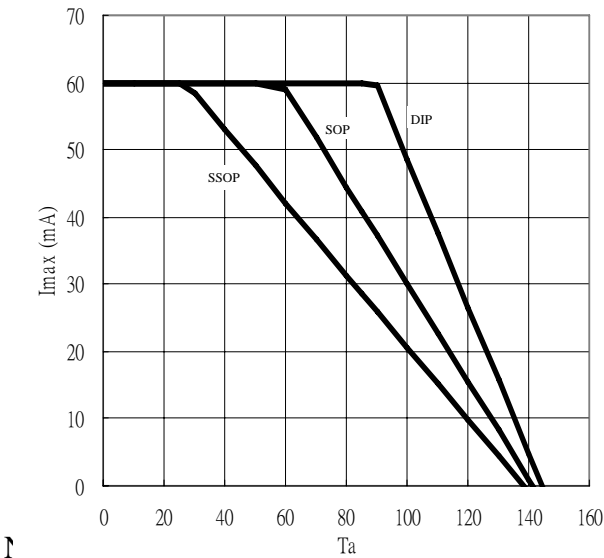
Pd - Ta



Imax - Ta (DM114)



Imax - Ta (DM115)



As the power dissipation of a semiconductor chip is limited its package and ambient temperature, this device requires a maximum output current be calculated for a given operating condition. The maximum allowable power consumption (Pd (max)) of this device is calculated as follows:

$$Pd(\text{max})(\text{Watt}) = \frac{(T_j(\text{junction temperature})(\text{max}) - T_a(\text{ambient temperature}))(\text{°C})}{R_{th}(\text{°C/Watt})}$$

Based on the Pd (max), the maximum allowable current can be calculated as follows:

$$I_{out} = (Pd - V_{DD} \cdot I_{DD}) / (\# \text{ outputs} \cdot V_o \cdot \text{Duty})$$

## System Configuration Example

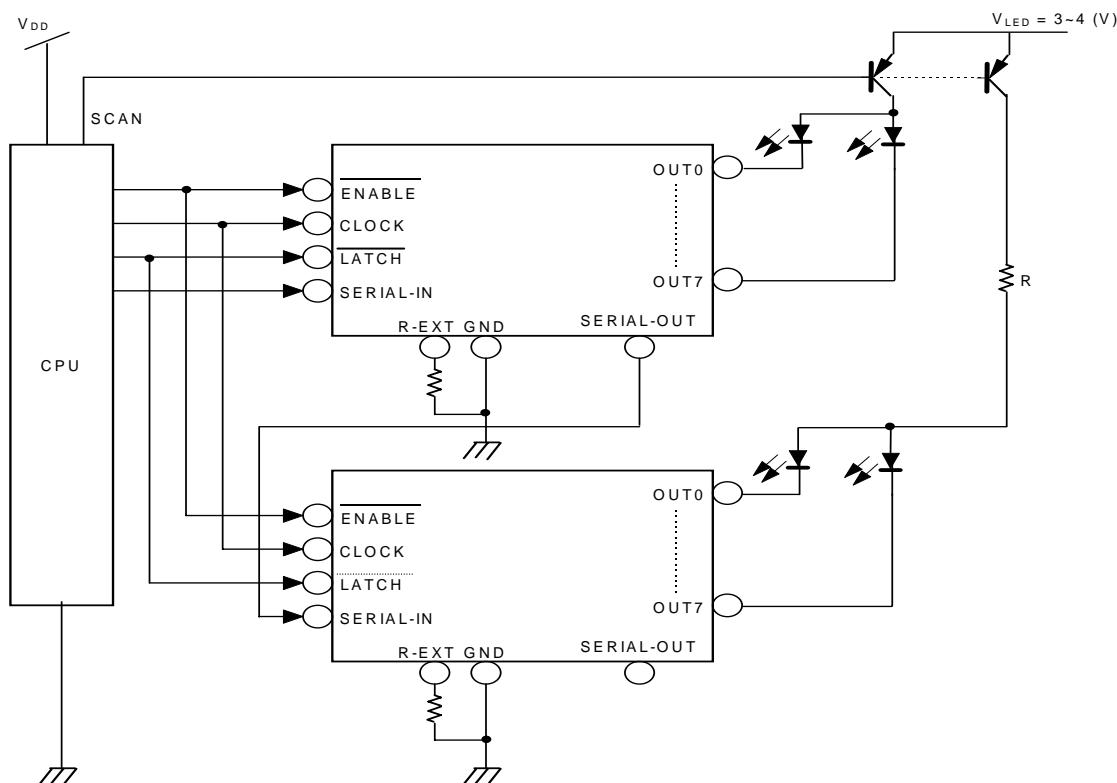
### [1] Output current ( $I_{OUT}$ )

Sink current is set by the external resistor as shown in figure ( $I_{out}$  vs.  $R_{ext}$ ).

### [2] LED supply voltage ( $V_{LED}$ ) setup

$$V_{LED} = V_{CE} (T_r V_{sat}) + V_f (\text{LED forward voltage}) + V_O (\text{IC supply voltage})$$

To prevent too much power dissipated by the device due to higher  $V_{LED}$ , an additional R can be used to reduce the  $V_{out}$  when the outputs consume current:



$$R = \frac{V_{LED} - V_f - V_O(\min)}{I_o(\max) \cdot Bit(\max)}$$

### Note

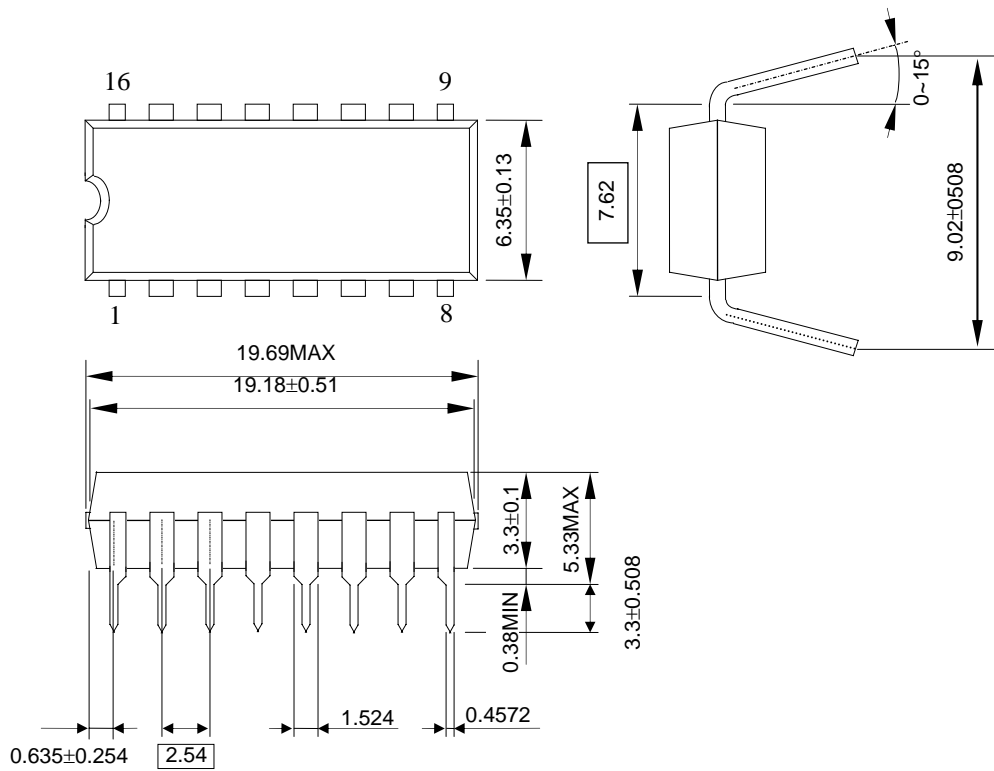
This device has only one ground pin shared by signal, output sink current, and power ground.

It is advisable to pattern the ground layout with minimized inductance such that the switching noise induced by the input signals and the output sink current would not cause chip malfunction. To prevent the drivers' outputs from damage by overshoot stress, it is also advisable not to turn off the drivers and scan transistors simultaneously.

Package Outline

PDIP16

Unit: mm

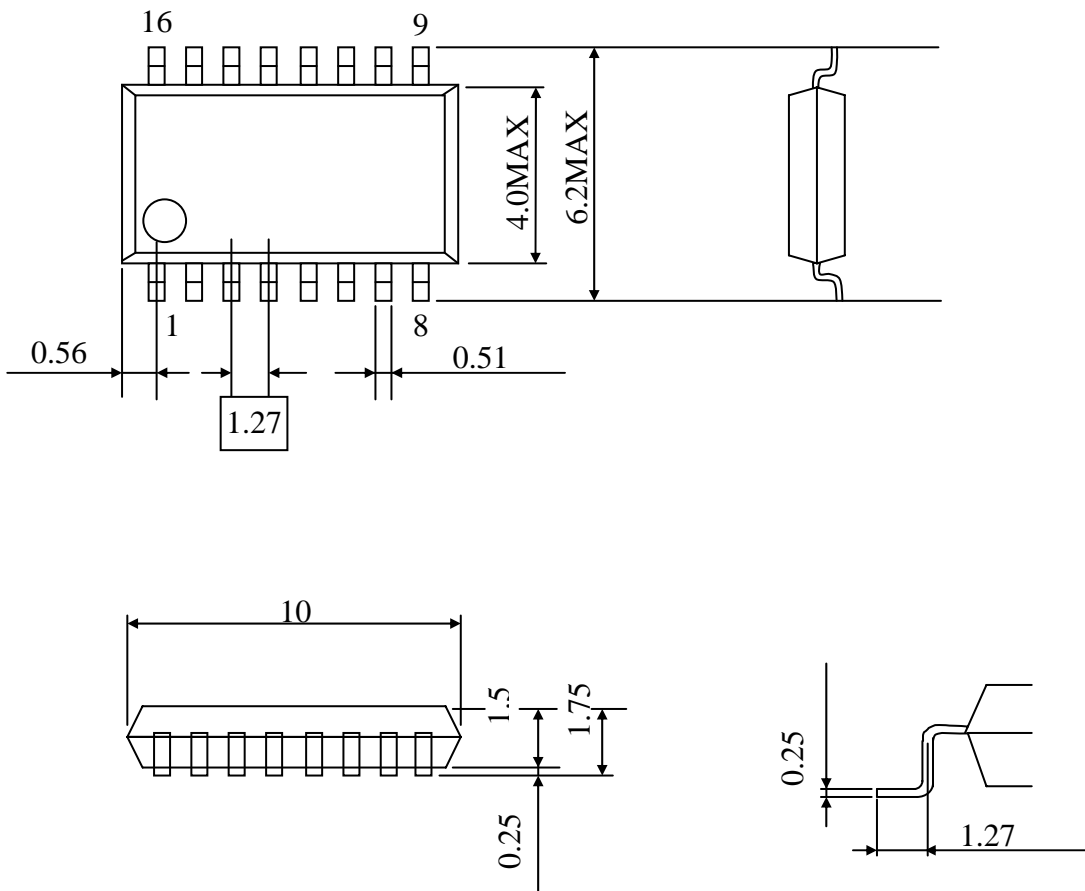


Weight : 1.11g(Typ.)

Package Outline

SOP16

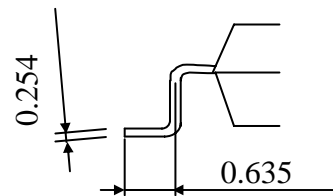
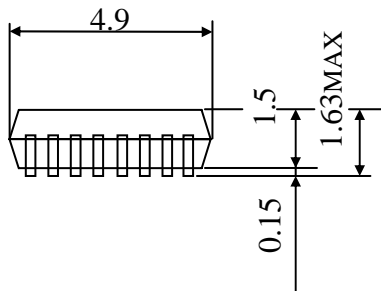
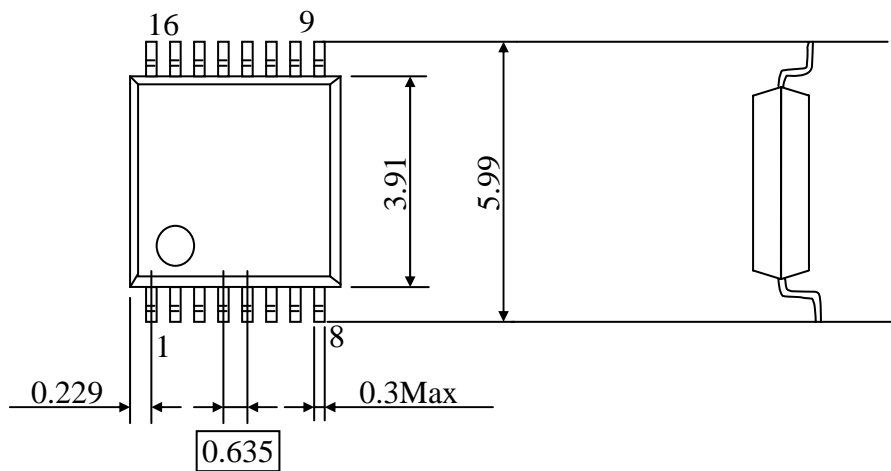
Unit: mm



Package Outline

SSOP16

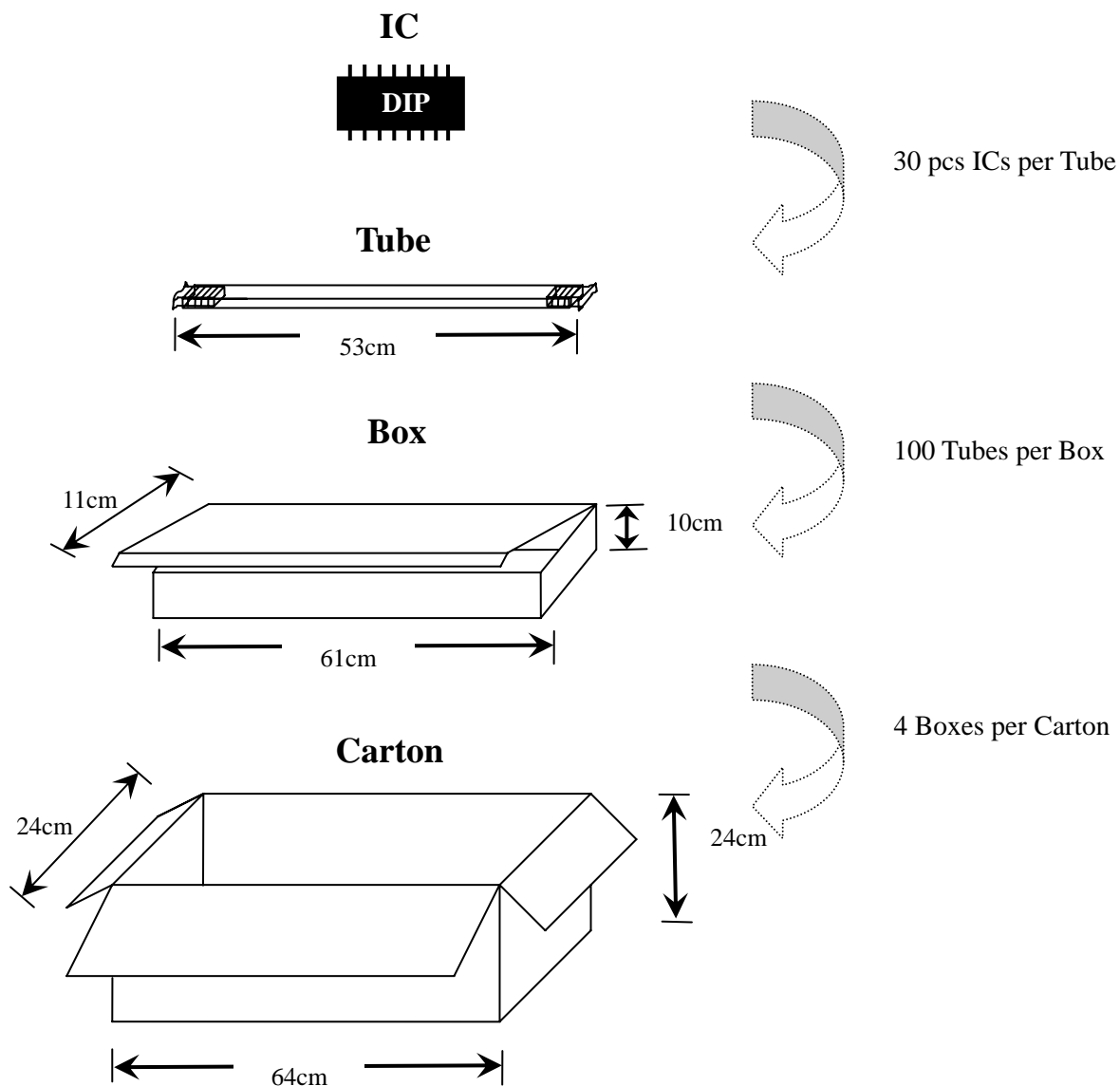
Unit: mm





## DM114-DIP/DM115-DIP Package and Weight ( 4 Boxes Set )

### DIP16 - 300 - 2.54

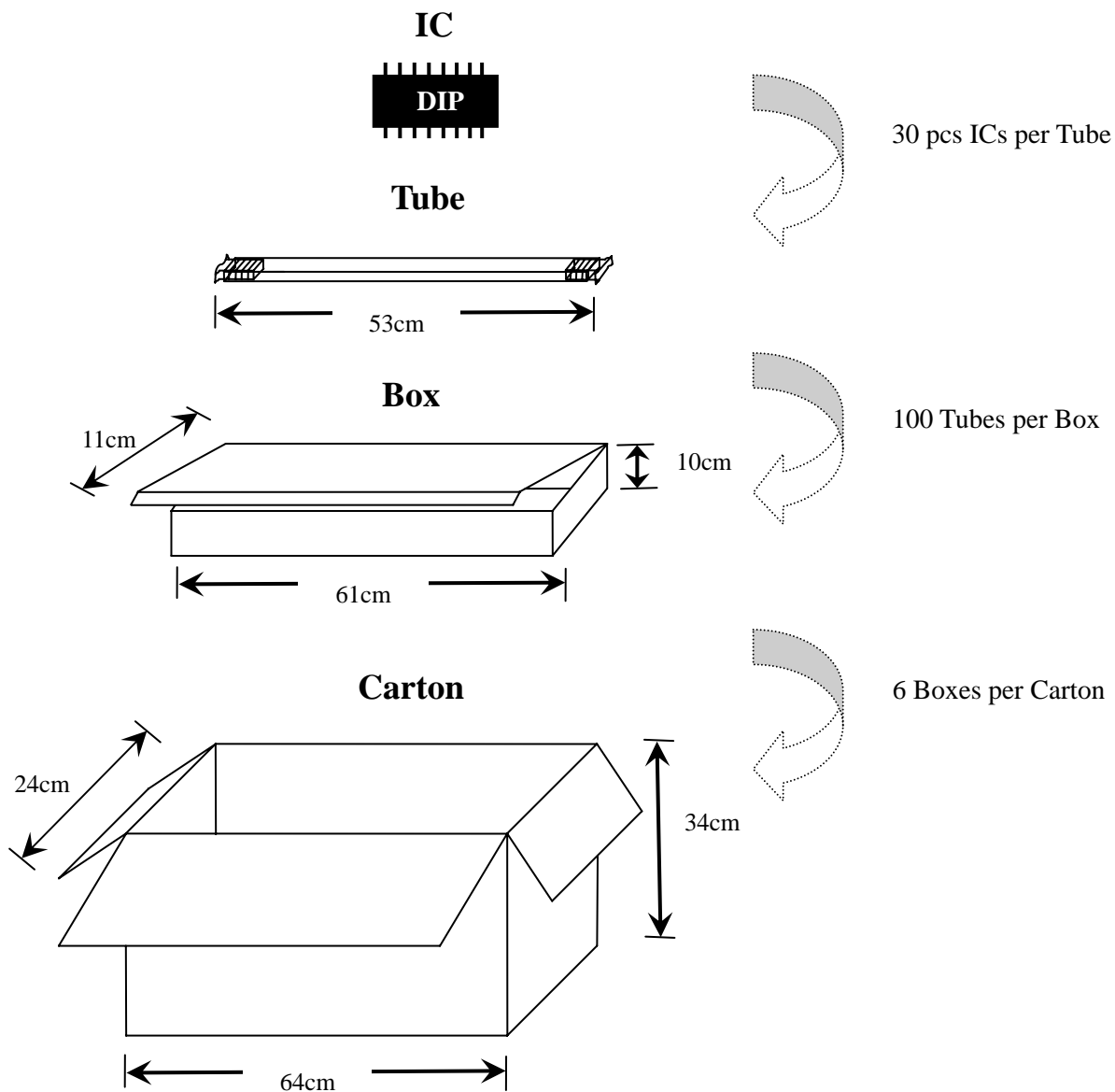


### Weight

Item	Description	Weight ( Kg )
1	30 pcs DM114-DIP/DM115-DIP per Tube	0.05±5%
2	Net Weight of one Box	0.40±5%
3	Net Weight of one Carton	1.24±5%
4	Per Carton Set ( 4 Boxes, 12,000 pcs )	22.84±5%

## DM114-DIP/DM115-DIP Package and Weight ( 6 Boxes Set )

### DIP16 - 300 - 2.54

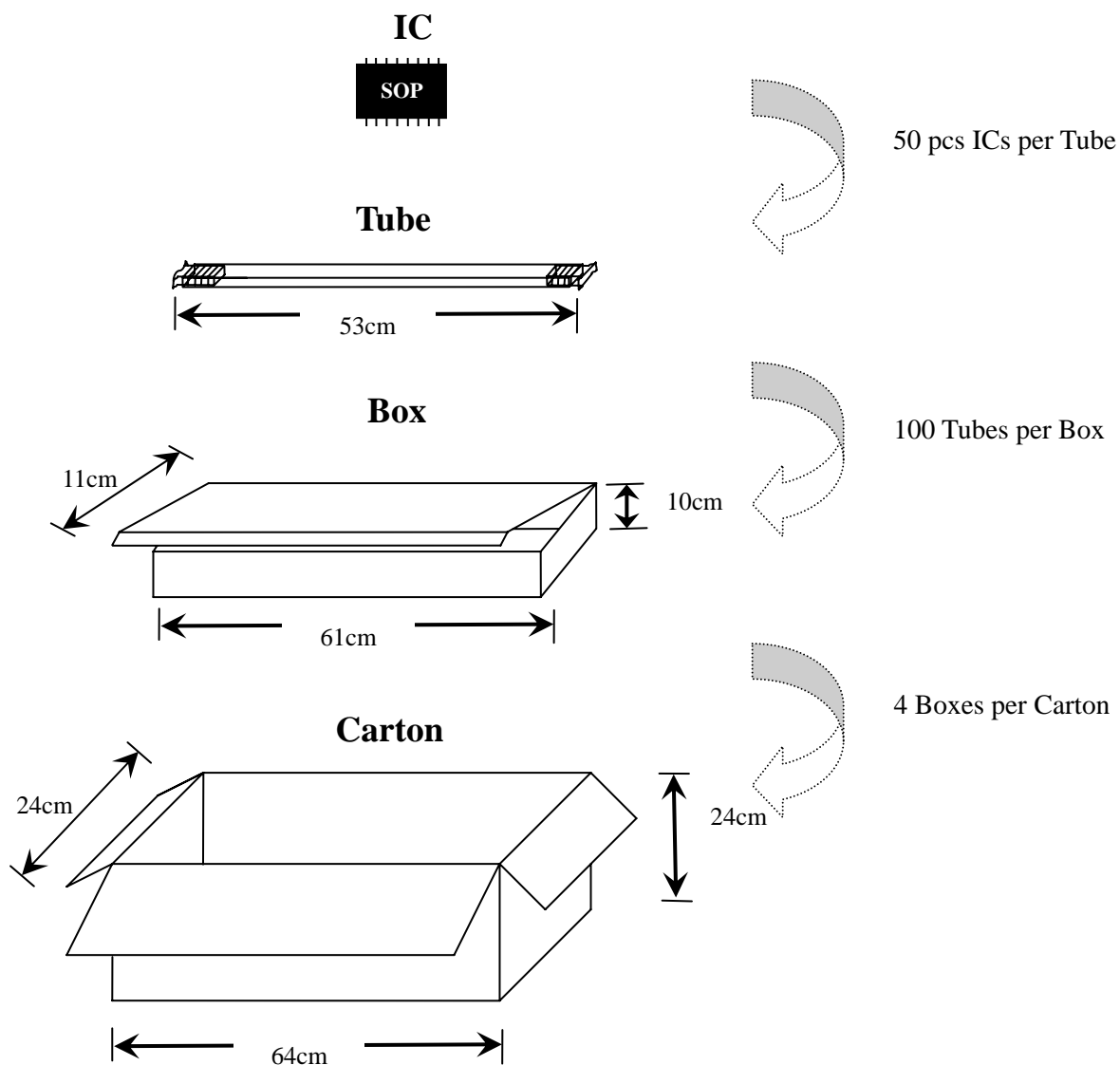


### Weight

Item	Description	Weight ( Kg )
1	30 pcs DM114-DIP/DM115-DIP per Tube	0.05±5%
2	Net Weight of one Box	0.40±5%
3	Net Weight of one Carton	1.44±5%
4	Per Carton Set ( 6 Boxes, 18,000 pcs )	33.84±5%

## DM114-SOP/DM115-SOP Package and Weight ( 4 Boxes Set )

### SOP16 - 150 - 1.27

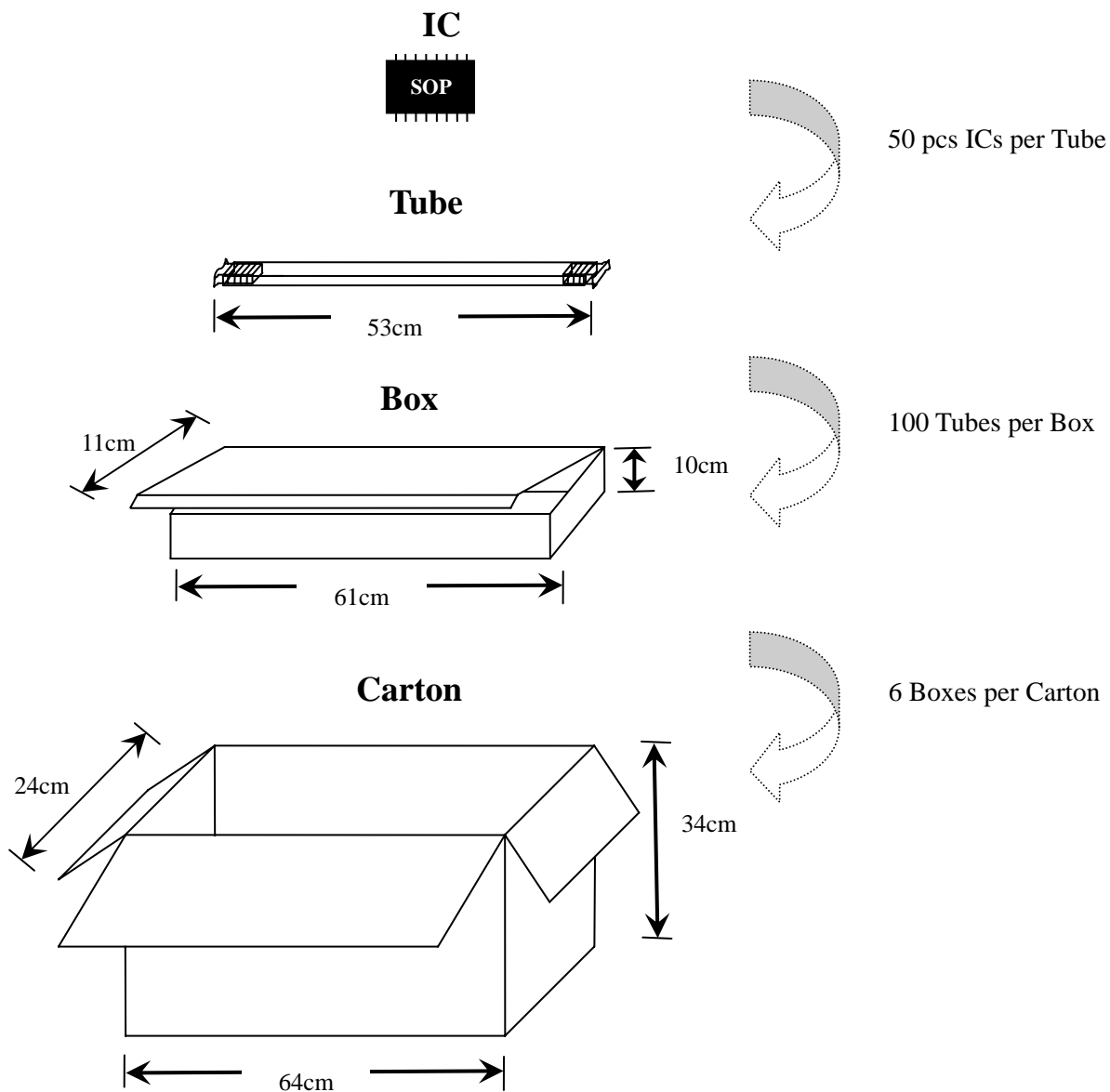


### Weight

Item	Description	Weight ( Kg )
1	50 pcs DM114-SOP/DM115-SOP per Tube	0.013±5%
2	Net Weight of one Box	0.40±5%
3	Net Weight of one Carton	1.24±5%
4	Per Carton Set ( 4 Boxes, 20,000 pcs )	8.04±5%

## DM114-SOP/DM115-SOP Package and Weight ( 6 Boxes Set )

### SOP16 - 150 - 1.27

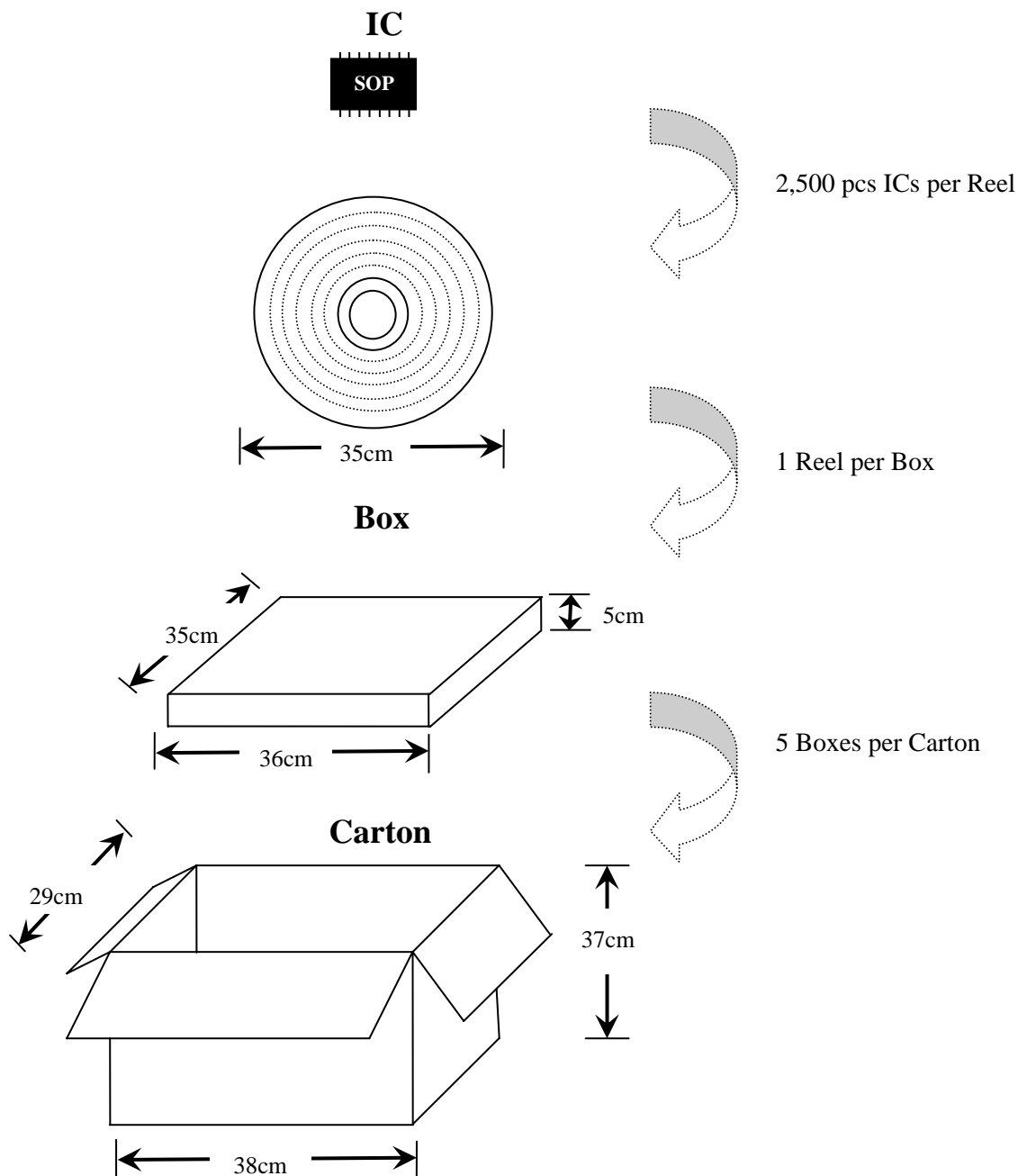


### Weight

Item	Description	Weight ( Kg )
1	50 pcs DM114-SOP/DM115-SOP per Tube	0.013±5%
2	Net Weight of one Box	0.40±5%
3	Net Weight of one Carton	1.44±5%
4	Per Carton Set ( 6 Boxes, 30,000 pcs )	11.64±5%

## DM114-SOP/DM115-SOP Package and Weight

SOP16 - 150 - 1.27

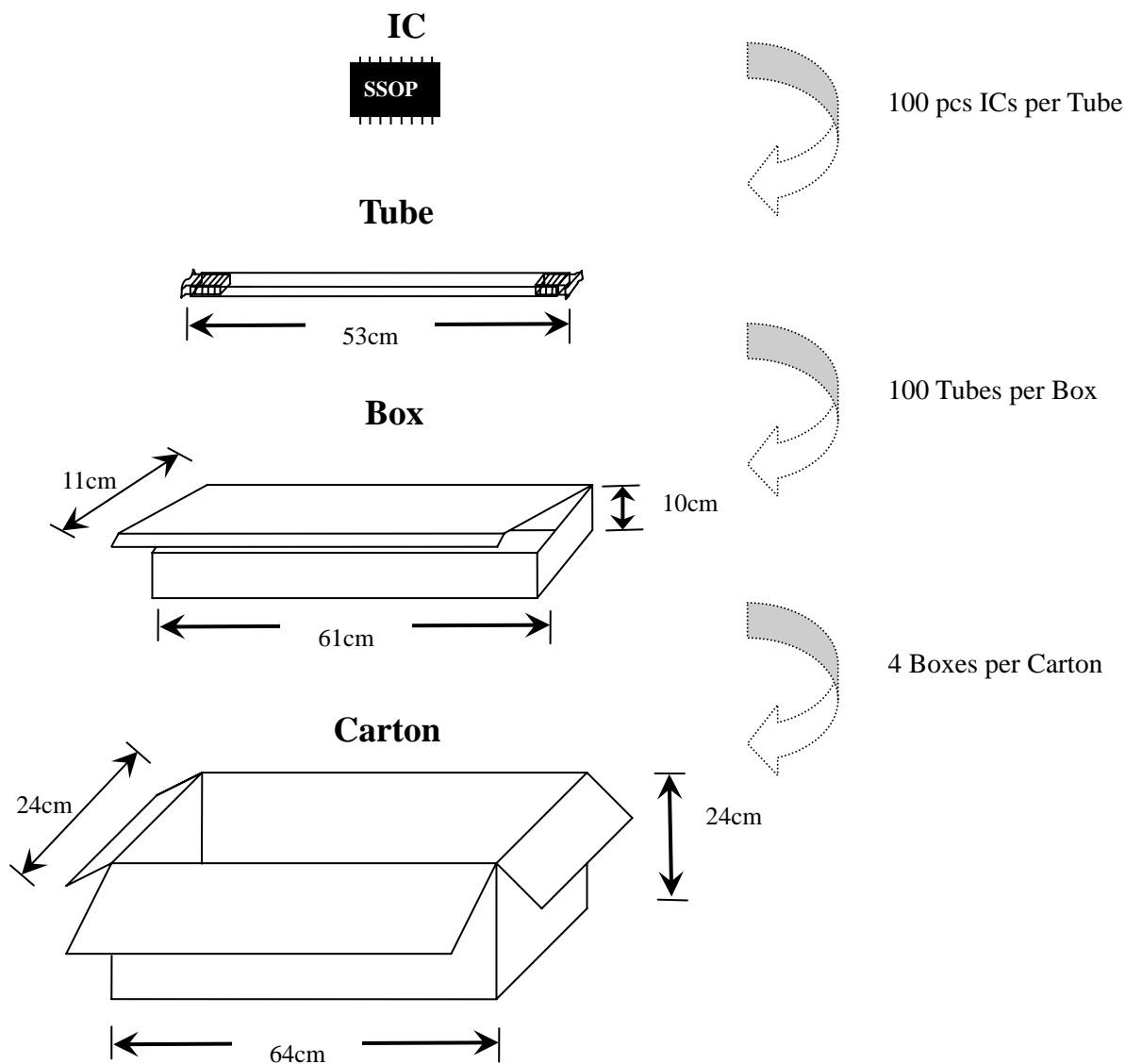


### Weight

Item	Description	Weight (Kg)
1	2,500 pcs DM114-SOP/DM115-SOP per Reel	0.95±5%
2	Net Weight of one Box	0.24±5%
3	Net Weight of one Carton	0.90±5%
4	Per Carton Set ( 5 Boxes, 12,500 pcs )	6.85±5%

## DM114-SSOP/DM115-SSOP Package and Weight ( 4 Boxes Set )

### SSOP16 - 150 - 0.635

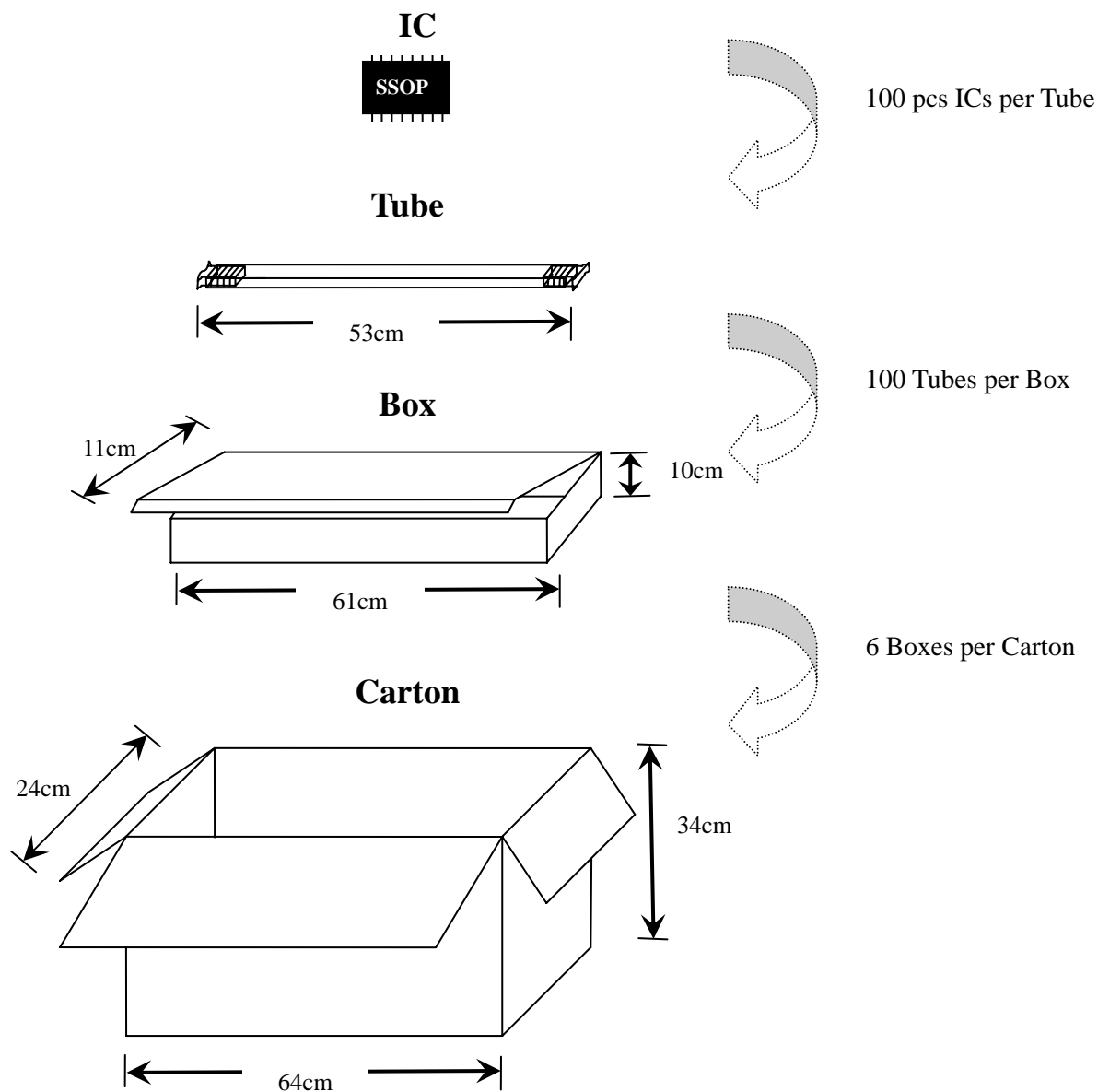


### Weight

Item	Description	Weight ( Kg )
1	100 pcs DM114-SSOP/DM115-SSOP per Tube	0.015±5%
2	Net Weight of one Box	0.40±5%
3	Net Weight of one Carton	1.24±5%
4	Per Carton Set ( 4 Boxes, 40,000 pcs )	8.84±5%

## DM114-SSOP/DM115-SSOP Package and Weight ( 6 Boxes Set )

### SSOP16 - 150 - 0.635

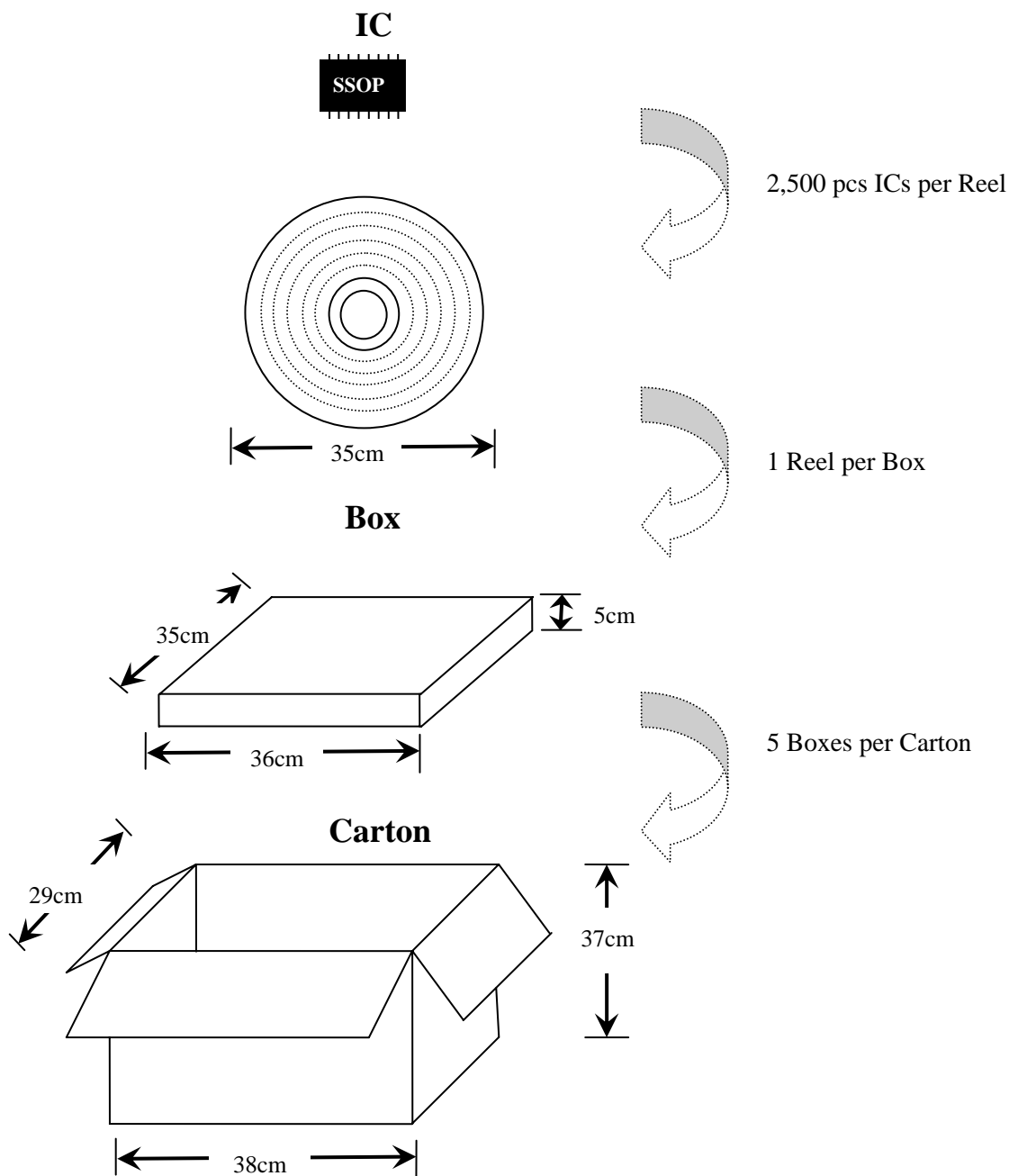


### Weight

Item	Description	Weight ( Kg )
1	100 pcs DM114-SSOP/DM115-SSOP per Tube	0.015±5%
2	Net Weight of one Box	0.40±5%
3	Net Weight of one Carton	1.44±5%
4	Per Carton Set ( 6 Boxes, 60,000 pcs )	12.84±5%

## DM114-SSOP/DM115-SSOP Package and Weight

SSOP16 - 150 - 0.635



### Weight

Item	Description	Weight (Kg)
1	2,500 pcs DM114-SSOP/DM115-SSOP per Reel	0.71±5%
2	Net Weight of one Box	0.24±5%
3	Net Weight of one Carton	0.90±5%
4	Per Carton Set ( 5 Boxes, 12,500 pcs )	5.65±5%



## Product Ordering Information

Part Number	Package Type	Number / Weight ( typ.)	
		Tube / Tray	Reel ( Box included )
DM114-DIP DM115-DIP	DIP16-300-2.54	30pcs / Tube 0.05kg ± 5%	—
DM114-SOP DM115-SOP	SOP16-150-1.27	50pcs / Tube 0.013kg ± 5%	2,500pcs / Reel 0.95kg ± 5%
DM114-SSOP DM115-SSOP	SSOP16-150-0.635	100pcs / Tube 0.015 kg± 5%	2,500pcs / Reel 0.71kg ± 5%



The products listed herein are designed for ordinary electronic applications, such as electrical appliances, audio-visual equipment, communications devices and so on. Hence, it is advisable that the devices should not be used in medical instruments, surgical implants, aerospace machinery, nuclear power control systems, disaster/crime-prevention equipment and the like. Misusing those products may directly or indirectly endanger human life, or cause injury and property loss. Silicon Touch Technology, Inc. will not take any responsibilities regarding the misuse of the products mentioned above. Anyone who purchases any products described herein with the above-mentioned intention or with such misused applications should accept full responsibility and indemnify. Silicon Touch Technology, Inc. and its distributors and all their officers and employees shall defend jointly and severally against any and all claims and litigation and all damages, cost and expenses associated with such intention and manipulation.