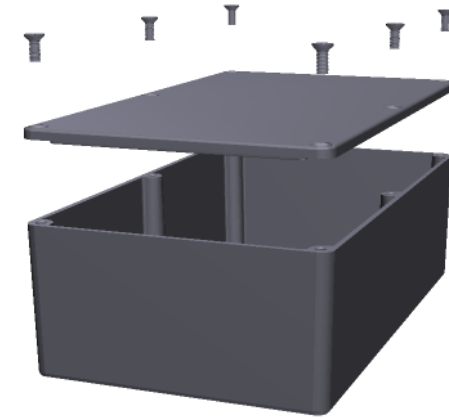
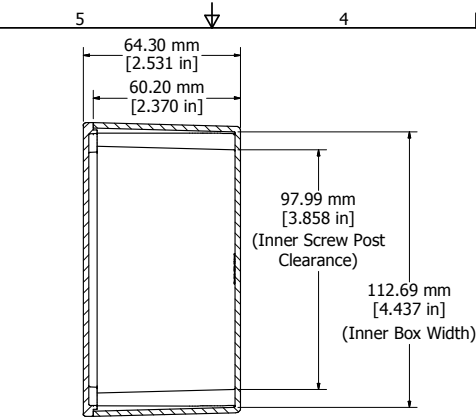


ASSEMBLY

SECTION B-B
SIDE VIEW OF ASSEMBLY



Enclosures can be Factory Modified (Milling, Drilling, Printing etc.)
 Contact Factory mjm@hammondmfg.com for quotes
 Solid models of this enclosure available in STEP or IGES.

NOTE	
Purchased assembly includes box, lid and 6 cover screws.	
Box and lid are made from Diecast Aluminum Alloy.	

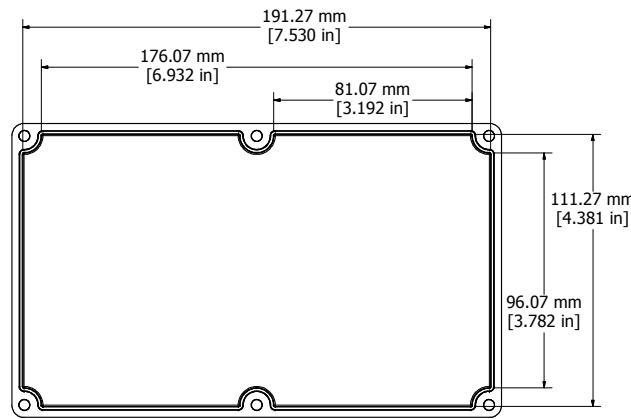
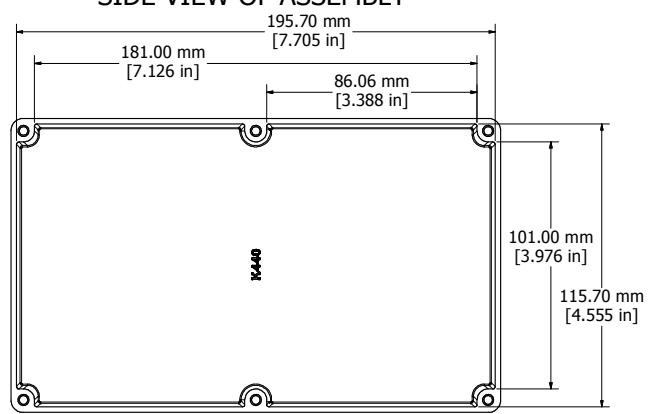
PART NUMBERS	
1590DE Enclosure	
Unfinished	1590DE
Grey Textured Polyester Powder Paint - RAL 7038	1590DEGY
Black Textured Polyester Powder Paint	1590DEBK
1590WDE Liquid Resistant Enclosure (Preform Silicon Gasket)	
Unfinished	1590WDE
Black Textured Polyester Powder Paint	1590WDEBK



**HAMMOND
MANUFACTURING™**

1590DE

www.hammondmfg.com



BOX - INSIDE VIEW

LID - INSIDE VIEW