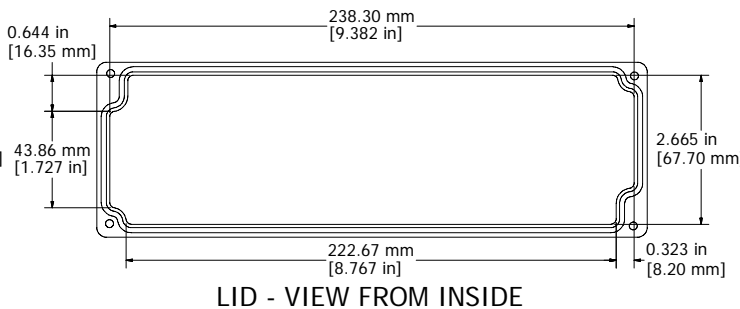
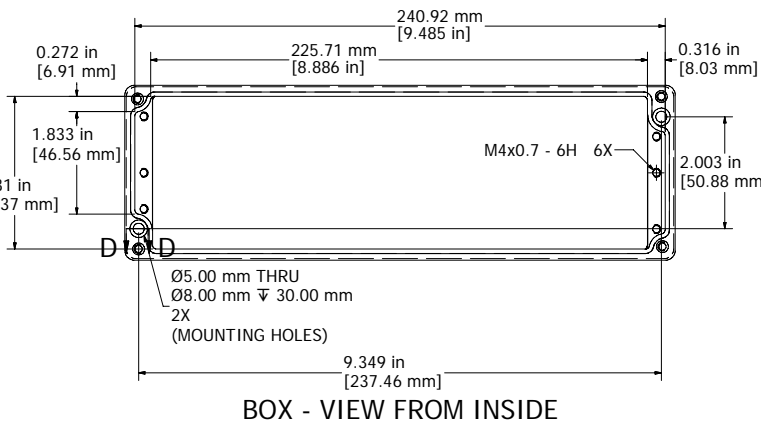
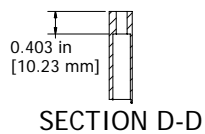
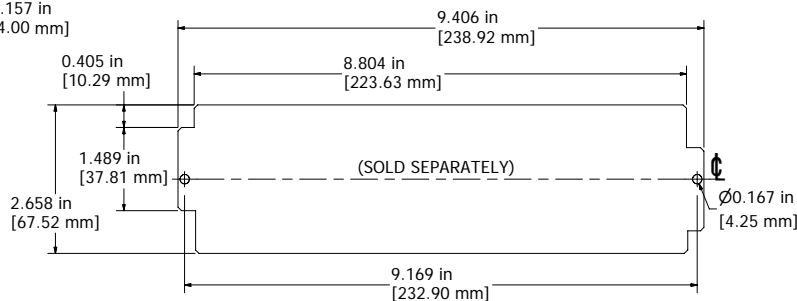
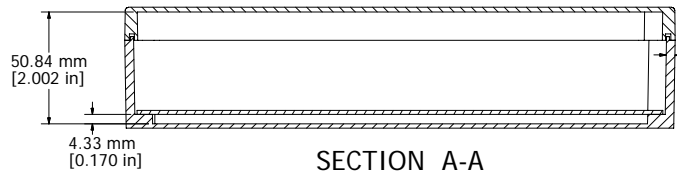
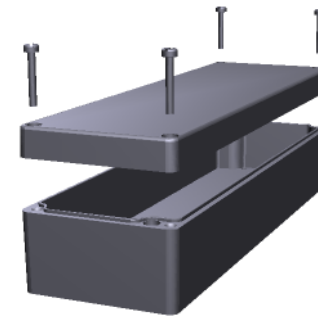
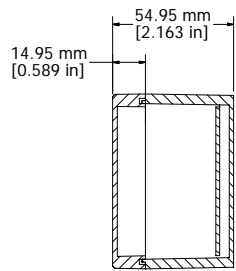
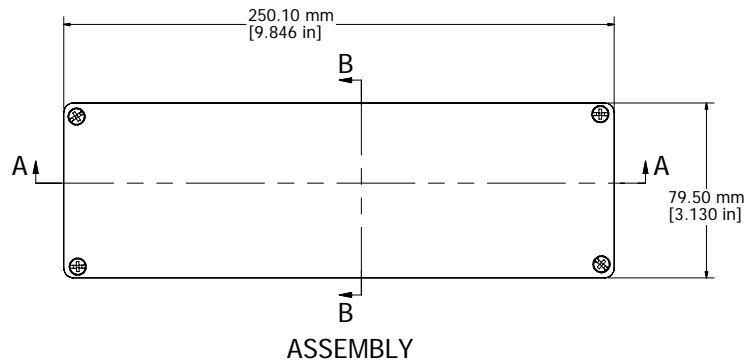


8 7 6 5 4 3 2 1



File #E65324
NEMA 4, 4X

Enclosures can be Factory Modified (Milling, Drilling, Printing etc.)
Contact Factory mjm@hammondmfg.com for quotes
Solid models of this enclosure available in STEP or IGES.

NOTES	
Purchased assembly includes enclosure, M4x25 lid screws and M4x6 ground screws.	
Gasket - Preformed Silicone Rubber	
Cover screws should be torqued to 15-17 lbf.in (150-170 cN.m)	

1590Z140	
PART NUMBERS	
Basic Enclosure	1590Z140
Black Enclosure	1590Z140BK
Grey Enclosure - RAL7001 Gloss	1590Z140GY
ACCESSORIES	
Inner Panel	1590Z140PL

HAMMOND MANUFACTURING™
1590Z140
www.hammondmfg.com

8 7 6 5 4 3 2 1