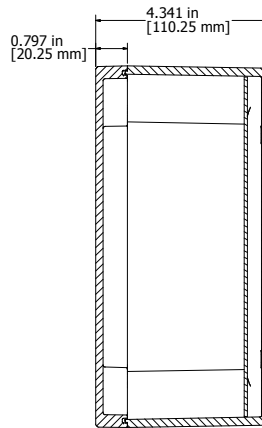
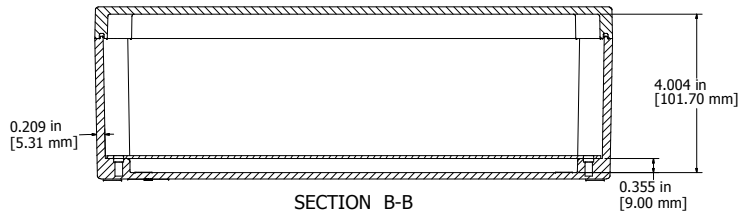
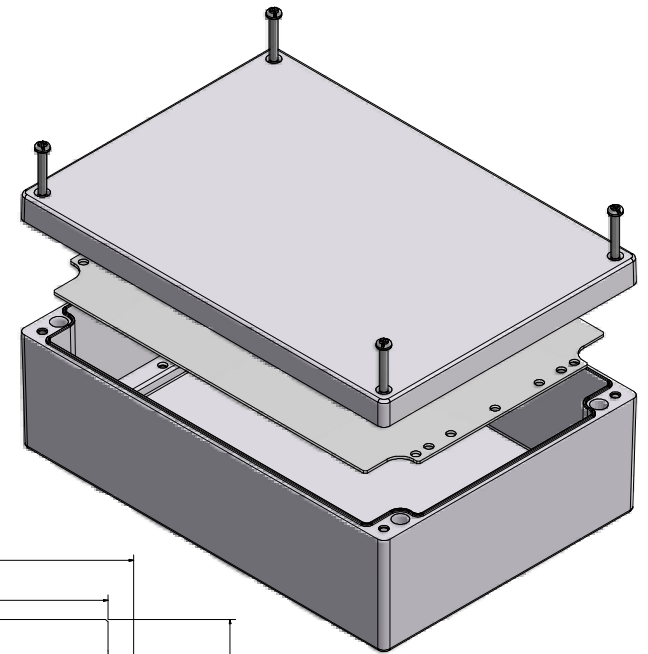


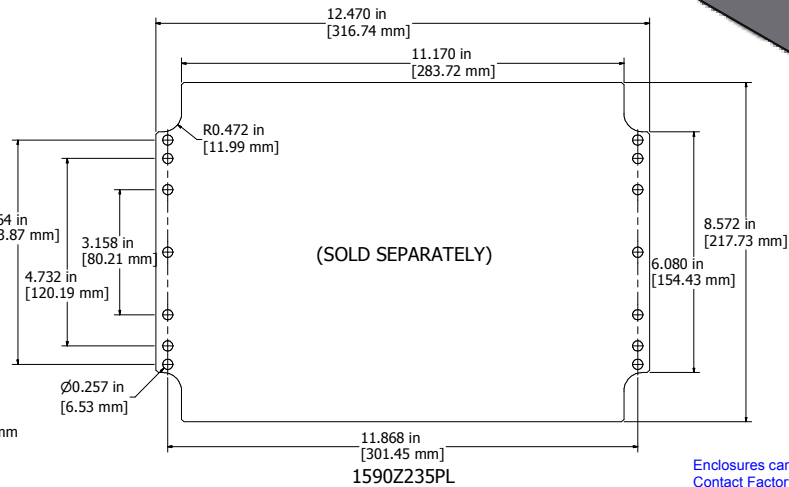
ASSEMBLY - VIEW FROM TOP



SECTION A-A



SECTION B-B



(SOLD SEPARATELY)

1590Z235PL

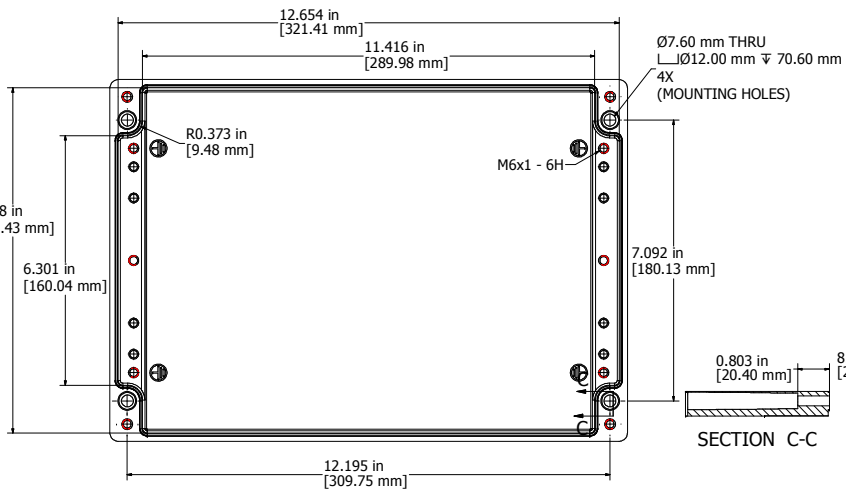


File #E65324  
NEMA 4, 4X

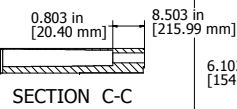
Enclosures can be Factory Modified (Milling, Drilling, Printing etc.)  
Contact Factory [mjm@hammondmfg.com](mailto:mjm@hammondmfg.com) for quotes  
Solid models of this enclosure available in STEP or IGES.

NOTES	
Purchased assembly includes enclosure, M6x35 lid screws and M6x10 ground screws.	
Gasket - Preformed Silicone Rubber	
Cover screws should be torqued to 15-17 lbf.in (150-170 cN.m)	

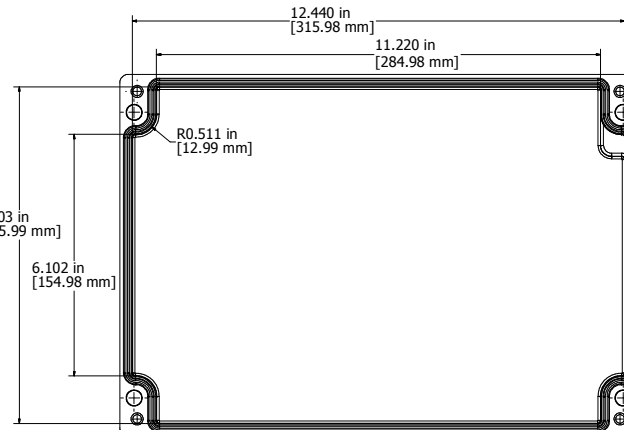
1590Z235	
PART NUMBERS	
Basic Enclosure	1590Z235
Black Enclosure	1590Z235BK
Grey Enclosure - RAL7001 Gloss	1590Z235GY
ACCESSORIES	
Inner Panel	1590Z235PL



BOX - VIEW FROM INSIDE



SECTION C-C



LID - VIEW FROM INSIDE



1590Z235

[www.hammondmfg.com](http://www.hammondmfg.com)