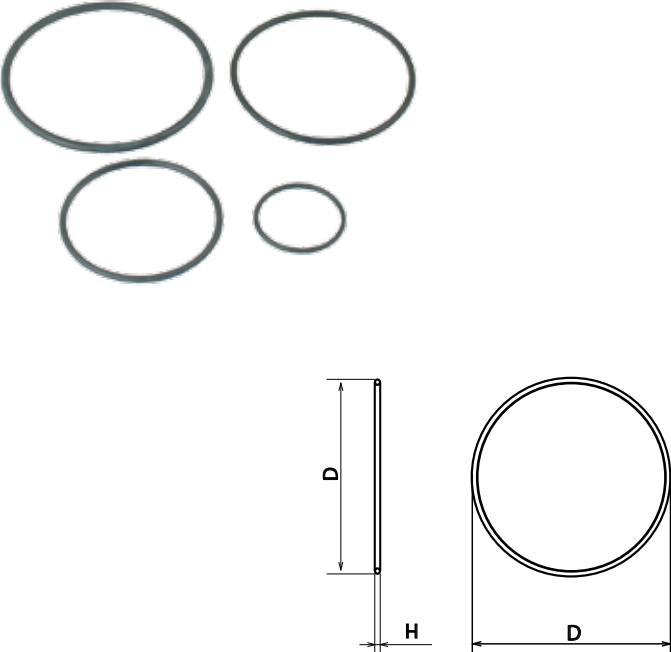
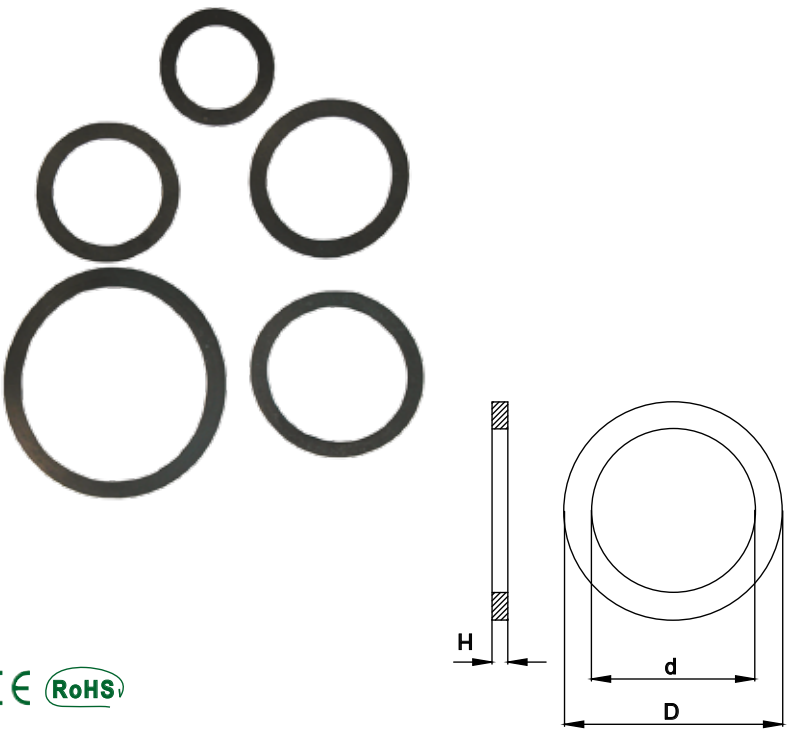


Technical characteristics Caratteristiche tecniche	H	D	For Per	Part No. Codice	
 <p>CE RoHS</p> <p>Materials: Elastomer Materiali: Elastomero</p>	1.50	10.50	M 12	7000.7808.0	
	1.50	13.50	M 16	7000.7600.0	
	1.50	18.50	M 20	7000.7601.0	
	2.00	23.00	M25	7000.7602.0	
	2.00	30.00	M32	7000.7603.0	
	2.00	38.00	M40	7000.7604.0	
	2.50	48.00	M50	7000.7605.0	
	3.53	60.33	M63	7000.7809.0	
	1.50	13.50	Pg9	7000.7806.0	
	1.50	16.50	Pg 11	7000.7608.0	
	1.50	18.50	Pg 13.5	7000.7609.0	
	1.50	20.50	Pg 16	7000.7610.0	
	2.00	26.00	Pg21	7000.7611.0	
	2.00	35.00	Pg29	7000.7612.0	
	2.50	45.00	Pg36	7000.7613.0	
	2.62	52.10	Pg42	7000.7614.0	
	3.00	57.00	Pg48	7000.7807.0	
	Technical characteristics Caratteristiche tecniche	D	H	For Per	Part No. Codice
	 <p>CE RoHS</p> <p>Materials: Elastomer Materiali: Elastomero</p>		1.50	M 12	7000.7880.0
			1.50	M 16	7000.7881.0
		1.50	M 20	7000.7882.0	
		2.00	M25	7000.7883.0	
		2.00	M32	7000.7884.0	
		2.00	M40	7000.7885.0	
		2.50	M50	7000.7886.0	
		3.53	M63	7000.7887.0	
			1.50	Pg 7	7000.7859.0
			1.50	Pg 9	7000.7860.0
			1.50	Pg 11	7000.7861.0
			1.50	Pg 13.5	7000.7862.0
			1.50	Pg 16	7000.7863.0
			2.00	Pg21	7000.7864.0
			2.00	Pg29	7000.7865.0
			2.50	Pg36	7000.7866.0
			2.62	Pg42	7000.7867.0
			3.00	Pg48	7000.7868.0