



Range:

This specification shall cover the characteristics of SAW filter with Strong's P/N: SK7040C

- 1. SYSTEM: D/K, B/G
- 2. Application: TV IF Filter

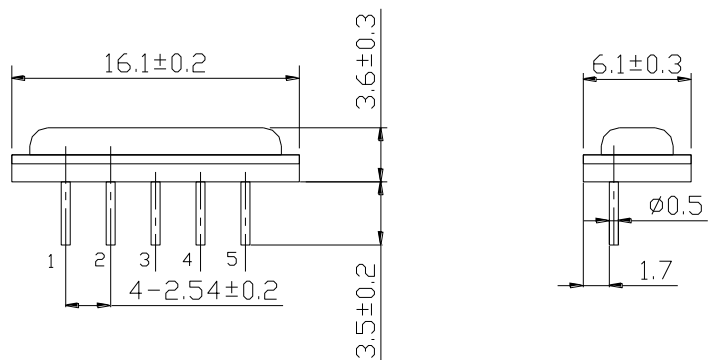
3. ELECTRICAL CHARACTERISTICS

3-1 Insertion Loss:		STD±2 dB
3-2 Attenuation (ref. : 36.0 MHz):		
fp-8	30.00 MHz	-41.0 dB Max.
fp-7	31.00 MHz	-37.0 dB Max.
fp-6.5	31.50 MHz	-18.8±2.0 dB
fp-5.5	32.50 MHz	-16.0±2.0 dB
fp-4.43	33.57 MHz	-1.0±1.2 dB
fp	38.00 MHz	-5.0±1.2 dB
fp+1.5	39.50 MHz	-41.0 dB Max.
3-3 Amplitude ripple within passband:		0.5 dB Max.
3-4 Outband Rejection:		
25.00 to 30.00 MHz		-38.0 dB Max.
39.50 to 45.00 MHz		-35.0 dB Max.
3-5 Temperature Coefficient Of Center Frequency:		-75 ppm/°C Max.
3-6 Maximum DC Voltage:		10V DC.
3-7 Operating Temperature Range:		-10°C to +70°C
3-8 Storage Temperature Range:		-20°C to +80°C

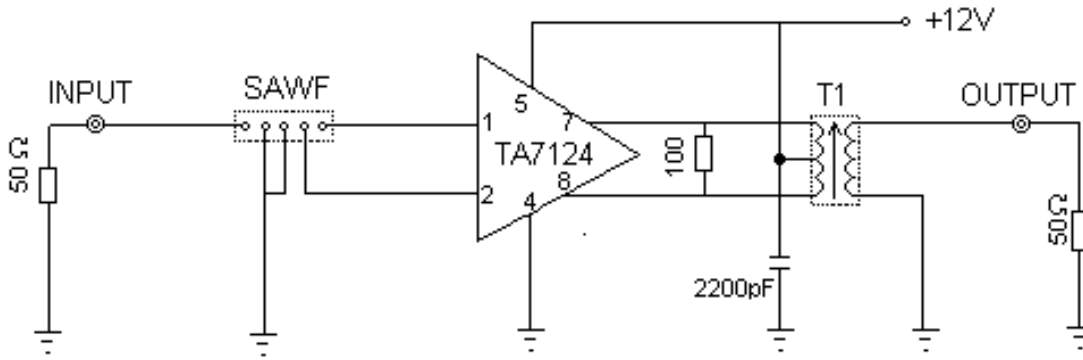
4. PACKAGE DIMENSION

UNIT:mm

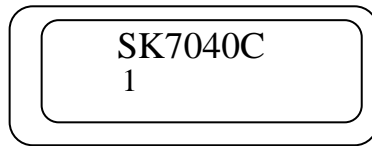
- 1. INPUT
- 2. INPUT-GROUND
- 3. GROUND
- 4. OUTPUT
- 5. OUTPUT



5. MEASUREMENT CIRCUIT



6. MARKING



SK7040C

Part No.

1

PIN NO.1 MARK

7. FREQUENCY RESPONSE

