



SPEC NO.: SRD-002L

SPECIFICATION

TO:STE991

Model Name: SAW Resonator

PART NO: SSR350N01TO39

CUSTOMER PART NO.:

STRONG ELECTRONICS&TECHNOLOGY LIMITED

深圳市思硕电子科技有限公司

Service Hotline:400-601-8985 Fax: 86 755 84528986

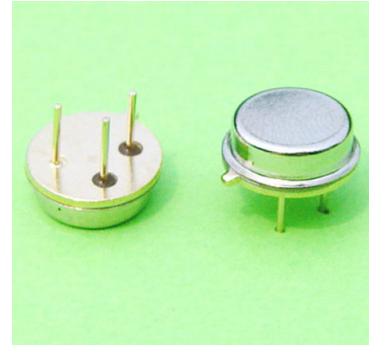
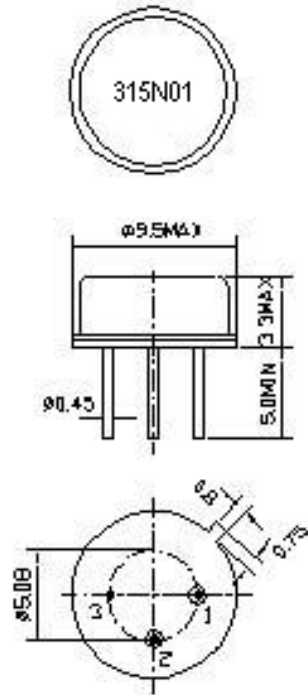
Email:info@strongelectronics.net

www.szstrong.com

1. Package Dimension

(TO-39/3A)

Unit: mm



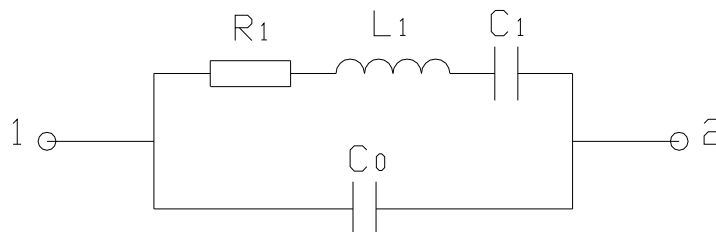
Pin No.	Function
Pin 1	Input
Pin 2	Output
Pin 3	Ground

2. Marking


350N01

1. Black Ink Marking
2. N: Product Code
3. 01: One-port SAW Resonator
4. 315: Center Frequency

3. Equivalent LC Model



4. Performance

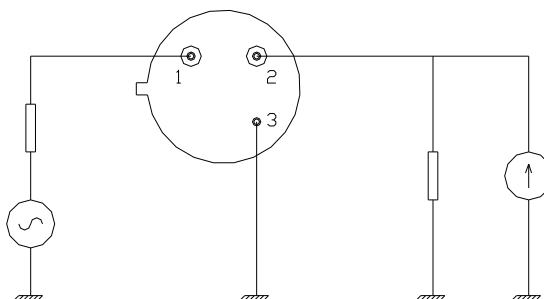
4.1 Maximum Rating

Item	Value
Operation Temperature Range	-40□ to +80□
Storage Temperature Range	-45□ to +85□
DC Voltage	10V
Source Power	0 dBm

4.2 Electronic Characteristics

Item	Units	Minimum	Typical	Maximum
Center Frequency (fo)	MHz	349.925	350	350.075
Insertion Loss	dB	—	1.5	2.0
Quality Factor				
Unloaded Q	—	—	11,000	—
50Ω Loaded Q	—	—	2,000	—
Temperature Stability				
Turnover Temperature	□	—	25	—
Freq. Temp. Coefficient	ppm/□	—	0.032	—
Frequency Aging	ppm/yr	—	<±10	—
DC Insulation Resistance	MΩ	1.0	—	—
RF Equivalent RLC Model				
Motional Resistance R1	Ω	—	18	26
Motional Inductance L1	μH	—	86	—
Motional Capacitance C1	fF	—	1.56	—
Shunt Static Capacitance C0	pF	1.7	2.0	2.3

4.3 Test Circuit



Note: Reference temperature shall be $25 \pm 2^\circ\text{C}$. However, the measurement may be carried out at 5°C to 35°C unless there is a dispute.

5. Reliability

5.1 Resistance to Soldering heat:

5.1.1 The components shall remain within the electrical specifications after it soldered on the 1mm-thickness PCB board and dipped in the solder at $260^\circ\text{C} \pm 5^\circ\text{C}$ for 10 ± 1 seconds.

5.1.2 The components shall remain within the electrical specifications after it soldered by electric iron, solder at $350^\circ\text{C} \pm 10^\circ\text{C}$ for 3~4 seconds, recovery time : $2\text{h} \pm 0.5\text{h}$.

5.2 Thermal Shock:

The components shall remain within the electrical specifications after being kept at the condition of heat cycle conditions: $T_A = -40^\circ\text{C} \pm 3^\circ\text{C}$, $T_B = 85^\circ\text{C} \pm 2^\circ\text{C}$, $t_1 = t_2 = 30\text{min}$, switch time $\leq 3\text{min}$ & cycle time : 100 times, recovery time : $2\text{h} \pm 0.5\text{h}$.

5.3 The Temperature Storage:

5.3.1 High Temperature Storage: The components shall remain within the electrical specifications after being kept at the $85^\circ\text{C} \pm 2^\circ\text{C}$ for 500 hours, recovery time : $2\text{h} \pm 0.5\text{h}$.

5.3.2 Low Temperature Storage: The components shall remain within the electrical specifications after being kept at the $-40^\circ\text{C} \pm 3^\circ\text{C}$ for 500 hours, recovery time : $2\text{h} \pm 0.5\text{h}$.

5.4 Humidity test:

The components shall remain within the electrical specifications after being kept at the condition of ambient temperature $60^\circ\text{C} \pm 2^\circ\text{C}$, and 90~95% RH for 500 hours.

5.5 Drop test:

The components shall remain within the electrical specifications after random free drops 10 times from height of 1.0 meter onto concrete floor, and the specimens shall meet the electrical specifications in table 5, external visual inspection.

5.6 Solderability test:

at the condition of temperature $245^{\circ}\text{C} \pm 5^{\circ}\text{C}$ Depth: DIP 2/3 , SMD 1/5, time: 3.0s-5.0s, 80% or more of the immersed surface shall be covered with solder and well-proportioned.

5.7 Vibration Fatigue:

The components shall remain within the electrical specifications after loaded vibration at 10~55Hz, amplitude 1.5mm, X, Y, Z, direction, for 2 hours.

5.8 Terminal strength:

The force 10 ± 1 seconds of 19.6N is applied to each terminal, and 45° in the same direction 2 times with 2N bending force (Exception: SMD)

5.9 Mechanical Shock:

The components shall remain within the electrical specifications after 1000 shocks, acceleration 392 m/s^2 , duration 6ms.

Note: As a result of the particularity of inner structure of SAW products, it easy to be breakdown by electrostatic, so we should pay attention to ESD protect in the test.

6. Remarks

6.1 Static voltage

Static voltage between signal load & ground may cause deterioration & destruction of the component. Please avoid static voltage.

6.2 Ultrasonic cleaning

Ultrasonic vibration may cause deterioration & destruction of the component. Please avoid ultrasonic cleaning.

6.3 Soldering

Only leads of component may be soldered. Please avoid soldering another part of component.

[© Copyright 2006 STRONG, All Rights Reserved](#)