

32.4 × 27.5 × 29

32.4 × 27.5 × 20.5

# NT91L (50A)



13002104039



E160644

## Features

- Single and double coils magnet latching relay available.
- Switching capacity up to 50A.
- Energy saving and environmental friendly product.

## Ordering Information

**NT91L L 50 C S 12 - 1.5 D**

1 2 3 4 5 6 7 8

1 Part number NT91L

2 High: H:Standard; L:Low profile type

3 Load 1A,1B: 50A/277VAC Resistive load ;  
5000W 240VAC Incandescent Lamp  
16A/280VAC Electronic ballast  
5HP 277VAC Motor load  
1C: 40A/277VAC(Resistive load)

4 Contact arrangement: A:1A; B:1B; C:1C

5 Enclosure S: Sealed type E: Covered

6 Coil rated voltage(V) 5,12,24,48

7 Coil power consumption 1.5:1.5W

8 Coil NIL:Single coil; D: Double coils

## Contact Data

Contact Arrangement	1A SPSTNO 1B(SPSTNC) 1C(SPDT(B-M))	
Contact Material	AgSnO <sub>2</sub>	
Contact Rating	1A,1B:50A/277VAC 5× 10 <sup>4</sup> OPS Resistive load ; 5000W 240VAC 3× 10 <sup>4</sup> OPS Incandescent Lamp 16A/280VAC 6000 OPS Electronic ballast ; 5HP 277VAC 3× 10 <sup>4</sup> OPS Motor load ; 1C: 40A/277VAC 3× 10 <sup>4</sup> OPS Resistive load)	
Max. Switching Power	1500W 12500VA	
Max. Switching Voltage	110VDC 300VAC Max. Switching Current:50A	
Contact Resistance or Voltage drop	20m Item 4.12 of IEC 61810-7	
Operation life	Electrical	See contact rating Item 4.30 of IEC 61810-7
	Mechanical	10 <sup>6</sup> Item 4.31 of IEC 61810-7

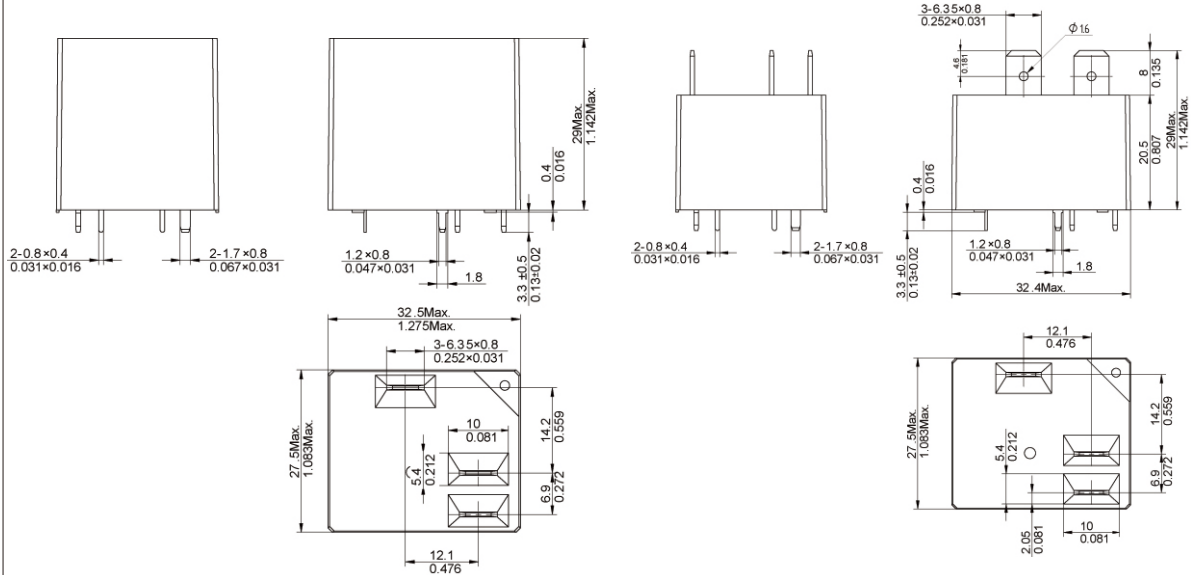
## Coil Parameter

Single Coil Parameter								
Dash numbers	Rated voltage VDC	Coil resistance ± 10%	Switching voltage VDC (80%of rated voltage)	Operating voltage range VDC	Plus magnitude ms	Coil power	Operate Time ms	Reset Time ms
005-1500	5	16.7	4	5-6	50	1.5W	15	15
012-1500	12	96	9.6	12-14.4				
024-1500	24	384	19.2	24-28.8				
048-1500	48	1536	38.4	48-57.6				

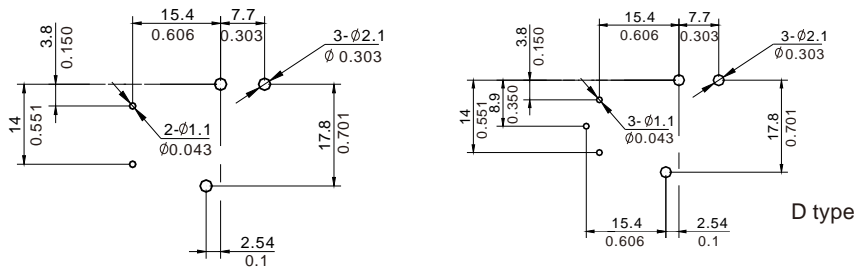


## Dimensions

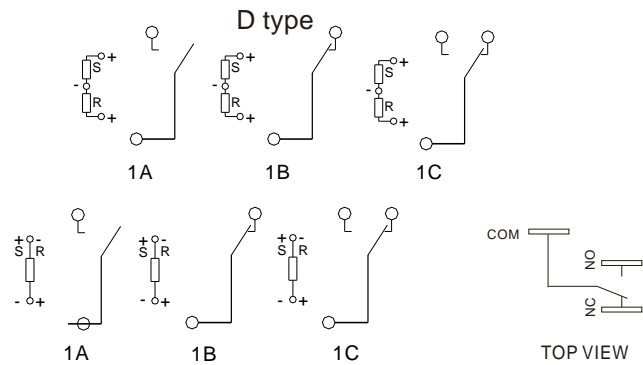
mm /inch



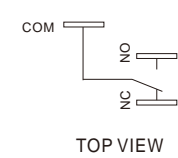
## Dimensions



## Mounting (Bottom view)



S:Set R:Reset  
Wiring diagram(Bottom view)  
Wiring diagram(Bottom view)



NOTES 1).Dimensions are in millimeters.  
2).Inch equivalents are given for general information only.  
3).Relays shall have plus (+) or plus (-) and minus signs placed on the circuit diagram as shown.