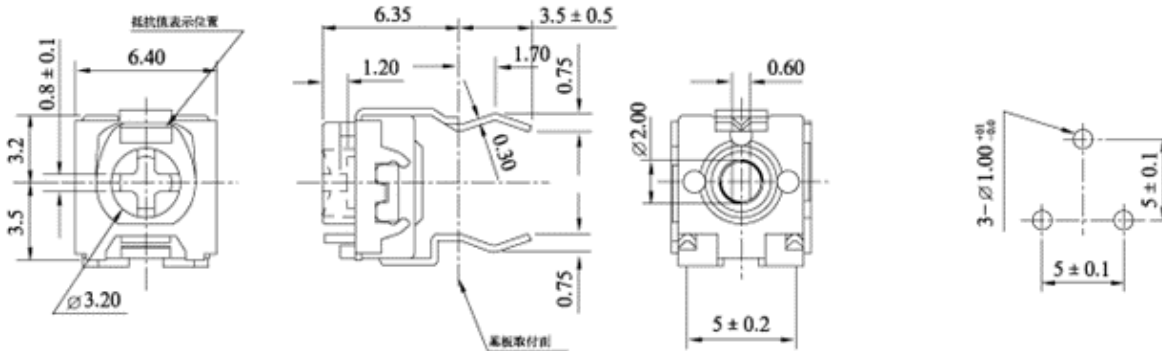


Подстроечный резистор

H06P-xxxH1



Electrical Characteristics:

Total resistance: 100Ω-1MΩ

Total resistance tolerance: 30%

Ratings power(w): 0.1W

Resistance taper: Taper B

Residual resistance: 150mV Max.

Sliding noise: 100mV Max.

Max. operating voltage: AC 50V at 50°C

Temperature characteristics(70°C,5Hrs): -20~0% Max.

Solder heat resistance: 240°C ~ 280°C , 5s or 280°C ~300°C , 3s

Mechanical Characteristics:

Total rotational angle: 210 ±20°

Operation torque: 20~250gf.cm

Rotation stopper strength: 350gf.cm Min.