

ME3-O₂ Gas Sensors Manual

1 Feature

ME series O₂ sensors have low consumption , small size, high sensitivity , wide range of linearity , and better anti-jamming capacity, good reproducibility, stability and reliability ect advantage . It is electrochemical sensor widely suits for mine, industry and environmental protection field ect .



2 Application

Type	Detecting gas	Application	Remark
ME3-O ₂	O ₂	Detecting O ₂ in mine , industry and environmental protection field	

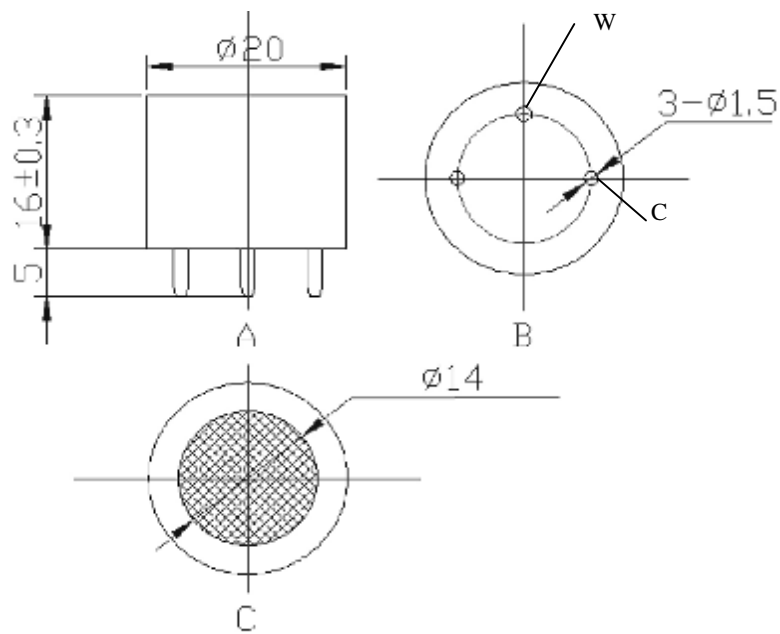
3 Feature

3.1 Parameter

3.1.1 Basic feature

Type	ME3-O ₂	
Measurement Range	0-25% vol	Remark
Output signal	0.150±05mA(in air)	RL=100 Ω
Reproducibility	Output signal ±2%	
Response time(t ₉₀) s	≤30	
Signal attenuation	≤2%	/month
Zero drift (ppm)	≤0.1% vol	Clean air
Temperature range (°C)	-20~+50	
Temperature drift (ppm)	≤0.1% vol	20~50°C
Humidity range	≤95% RH	
Pressure range (kPa)	90~110	
Storage temperature (°C)	0~20	Recommendation
Storage period (month)	6	
anticipated using life (month)	>24	
Max detecting concentration	30% vol	

3.1.2 Products external dimension



A—left view B—planform C—upward view

Chart 1. products external dimension

3.2 Gas sensitivity

3.2.1 ME3-O₂ type electrochemical sensor concentration response characteristic curve

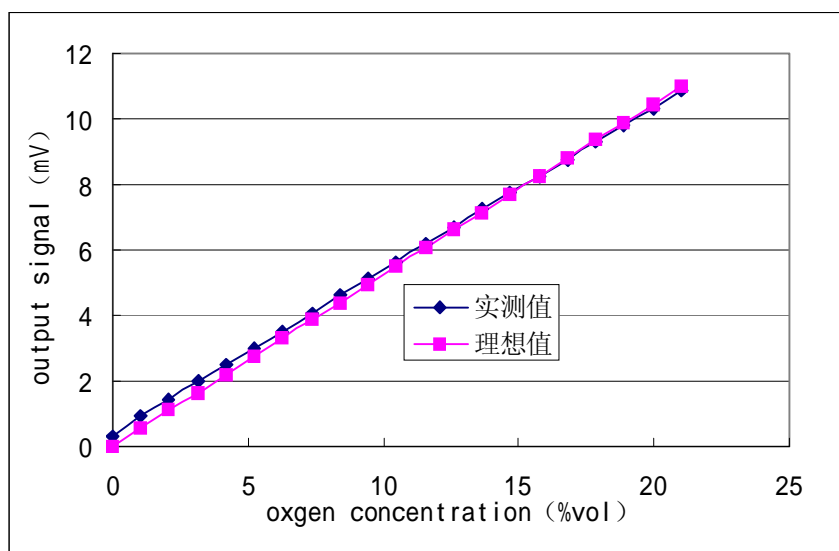


Chart 2 sensitivity curve

3.2.2 ME3-O₂ type electrochemistry sensors' response , resume time and output voltage relation curve

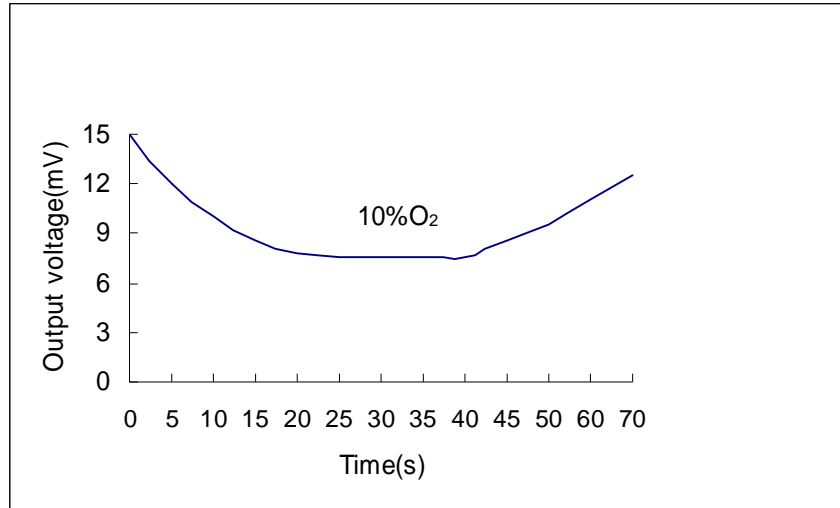


Chart 3.response and resume curve

3.2.3 Temperature characteristic

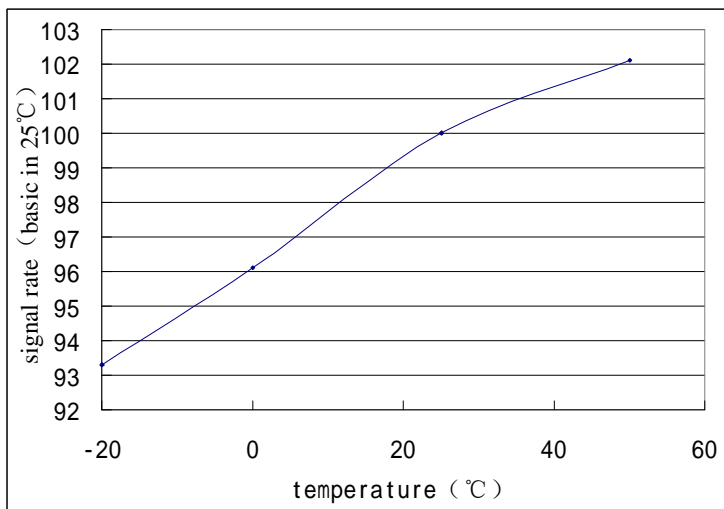


Chart 4.temperature curve