

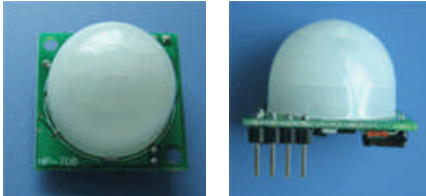


**EAGLE POWER**

**International Holdings (HK) LTD**

TEL: 86-755-27838089 (Shenzhen office)  
FAX: 86-755-27897072  
E-mail: michelle@sbcde.com.cn  
Web: www.sbcde.com.cn/en

### PIR Motion Detector Module



Motion detector module uses a motion detector IC and PCB mounted Fresnel lens.

**Item: SB0081**

### General

SB0081 is a pyroelectric sensor module which developed for human body detection. A PIR detector combined with a fresnel lens are mounted on a compact size PCB together with an analog IC, SB0081, and limited components to form the module. High level output of variable width is provided.

### Features and Electrical Specification

Compact size (28 x 28 mm)

Supply current: DC5V-20V (can design DC3V-24V)

Current drain :< 50uA

(Other choice: DC0.8V-4.5V; Current drain: 1.5mA-0.1mA)

Voltage Output: High/Low level signal : 3.3V High level signal

(Other choice: Open-Collector Output)

TTL output can be directly connected to micro controller or logic device

High sensitivity

Delay time: 5s-18 minute

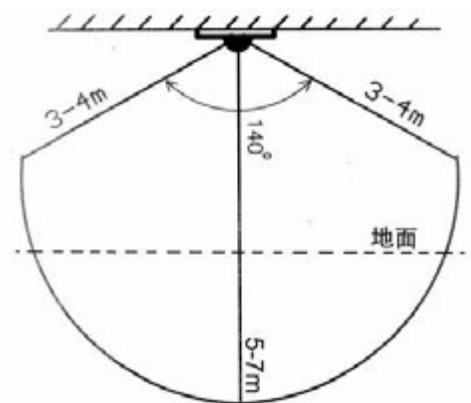
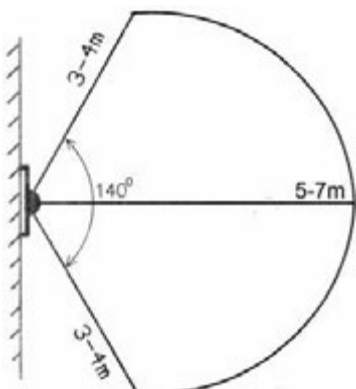
Blockade time: 0.5s-50s (acquiescently 0 seconds)

Operation Temperature: -15°C -70°C

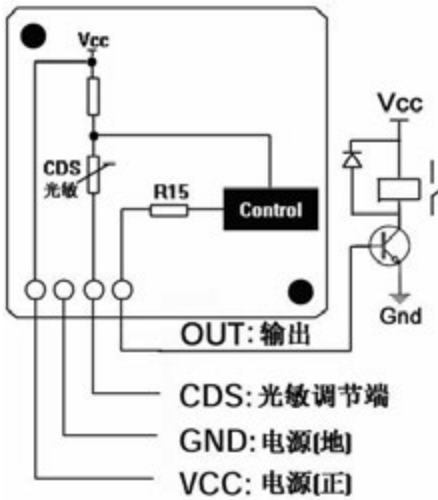
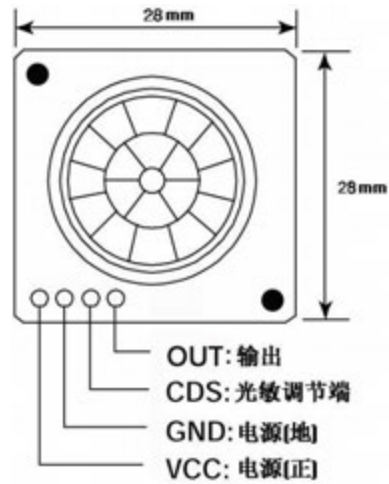
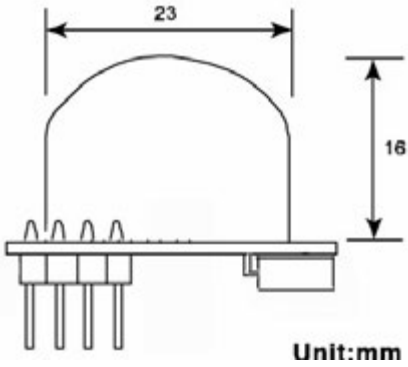
Infrared sensor: dual element, low noise, high sensitivity

Light sensor: CdS photocell (can be add as customer requirement)

### Lens information



## Application Note



## Note

Due to the high sensitivity of PIR sensor device, it is not recommended to use the module in the following or similar condition.

- A) in rapid environmental changes
- B) in strong shock or vibration
- C) in a place where there are obstructing material (eg. glass) through which IR cannot pass within detection area.
- D) exposed to direct sun light
- E) exposed to direct wind from a heater or air condition