

Switch

Micro Switch Series

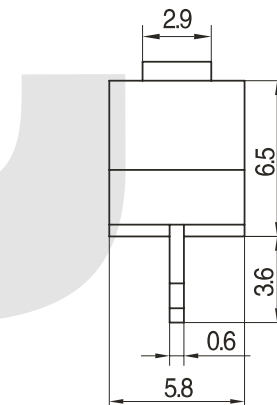
KLS7-KW10 Micro Switch Series

Action sensitive subminiature switch
Mini-type, big current. Characteristic: small contact gap, quick action, high sensitivity and small operating travel
Long life
A variety of contact terminals
A variety of levers
Widely used in home appliance, audio video device, computer, office automation equipment, communication equipment, etc.
Withstand Voltage : AC250V (50Hz) Min.
Temperature : -40°C~+70°C

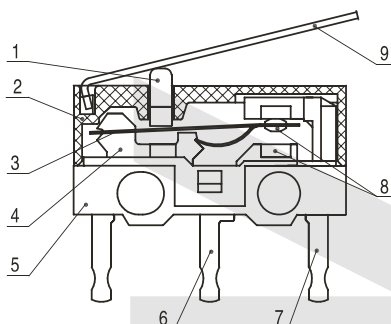


Specifications

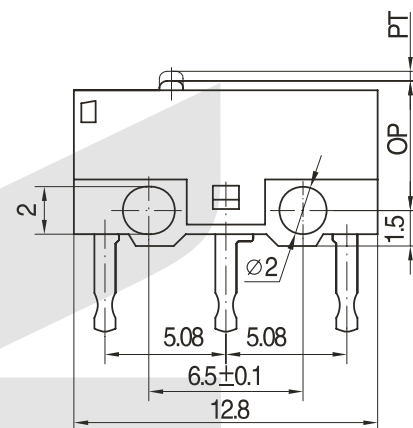
Item		Value
Operating speed		1mm ~ 500mm/s (Related with actuator forms)
Operating frequency		Mechanical 60 cycles/min; Electrical 25cycles/min
Insulation resistance		≥ 100MΩ (500VDC)
Contact resistance		OF>0.75N: ≤30mΩ (see note) OF≤0.75N: ≤50mΩ (see note) KW10-D、E、F型: ≤100mΩ (見注)
Test voltage	Between terminals of the same polarity	AC600V,50/60Hz, 1min
	Between current-carrying metal parts and ground(case), and between each terminal and non-current-carrying metal parts.	AC1000V,50/60Hz, 1min
Vibration resistance		10 ~ 55Hz, 1.5mm Double amplitude
Shock resistance		Malfunction:300m/s ² (approx.30G)max
Life expectancy		Mechanical ≥ 1,000,000 cycles Electrical ≥ 10,000cycles
Weight		Approx. 0.6g(No lever)
Safety approvals		UL、CUL、TUV、CE、EK、CQC



Internal configuration drawing



- 1: Plunger
- 2: Cover
- 3: Moving piece
- 4: Support
- 5: Case
- 6: NO terminal
- 7: NC terminal
- 8: Contact
- 9: Moving arm



Micro Switch Series

KLS7-KW10 Micro Switch Series

ORDER INFORMATION

VII

KLS7-KW10 - X X X X X - (X)

Part Number
Micro Switch Type

Rating:

No mark : 1 (0.5) A250V / 1A125VAC
 3 : 3 (0.5) A250V / 3A125VAC
 D : 0.5 (0.2) A250V / 0.5A125VAC
 E : 0.3 (0.1) A250V / 0.3A125VAC
 F : 0.1 (0.05) A250V / 0.1A125VAC

Additional spec numbers apply to:
when used not standard parts such
as not standard terminal
when customer has particular operating
value or other require ments.

Operating force

045: 0.45N
 075: 0.75N
 150: 1.5N
 160: 1.6N

Note: if it is not standard operating force, indicate
with the upper limit

Terminal Types

F: Solder terminal
 G: Long solder terminal
 P: PCB terminal
 L: Left side PCB terminal
 R: Right side PCB terminal
 S: Self-clinching PCB terminal
 Y: Not standard terminal

Actuator forms

0: No lever
 1: Short lever
 2: Long lever
 3: Middle lever
 5: Roller
 6: Long arc lever
 8: Short arc lever
 □: Not standard lever

	Circuit
Z: SPDT	
T: SPST-NO	
D: SPST-NC	

Terminal dimensions

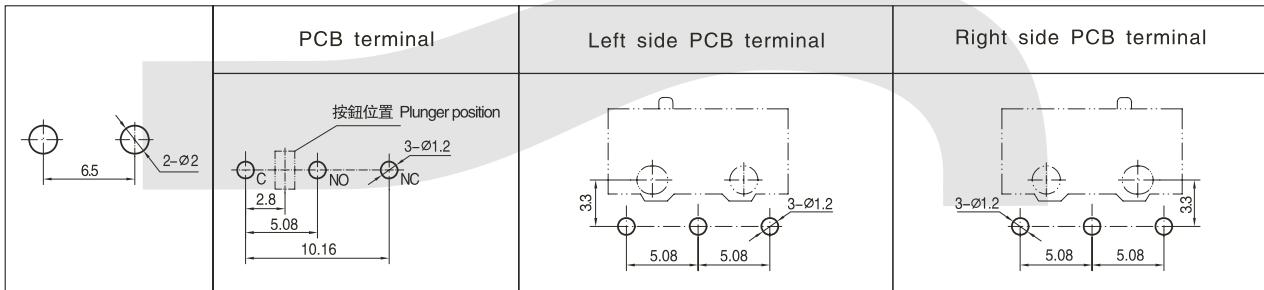
P	G	S	
PCB terminal	Long solder terminal	Self-clinching PCB terminal	
L	R	F	H
Left side PCB terminal	Right side PCB terminal	Solder terminal	Minitype solder terminal

Micro Switch Series

KLS7-KW10 Micro Switch Series

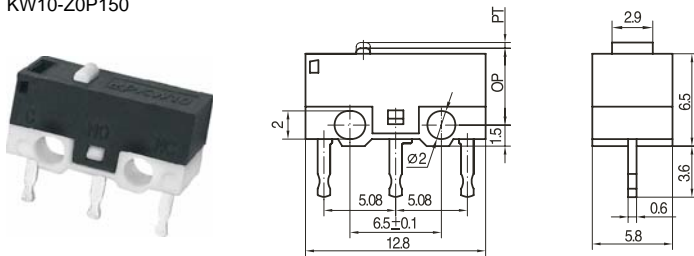
VII

◆ Mounting hole dimensions



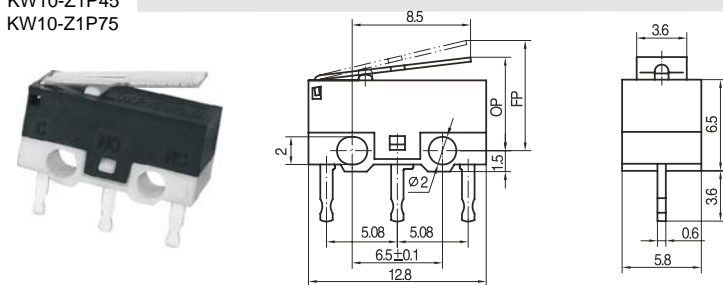
◆ Dimensions and operating characteristics

KW10-Z0P45
KW10-Z0P75
KW10-Z0P150



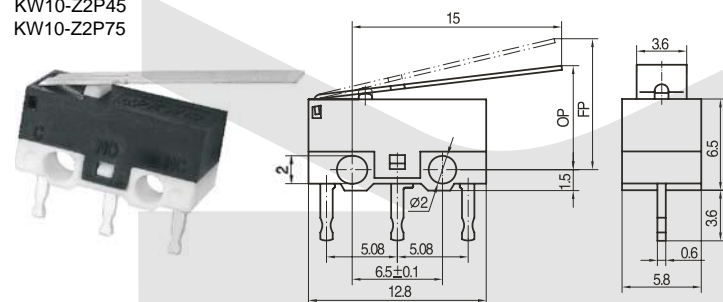
型號 Model	KW10-Z0P45	KW10-Z0P75	KW10-Z0P150
OF Max(N)	0.45	0.75	1.50
RF Min(N)	0.05	0.08	0.40
PT Max(mm)	0.5		
OT Min(mm)	0.2		
MD Max(mm)	0.2		
OP(mm)	5.5 ± 0.3		

KW10-Z1P30
KW10-Z1P45
KW10-Z1P75



型號 Model	KW10-Z1P30	KW10-Z1P45	KW10-Z1P75
OF Max(N)	0.26	0.53	0.90
RF Min(N)	0.04	0.08	0.15
OT Min(mm)	0.6		
MD Max(mm)	0.6		
FP Max(mm)	9.0		
OP(mm)	6.7 ± 1		

KW10-Z2P30
KW10-Z2P45
KW10-Z2P75

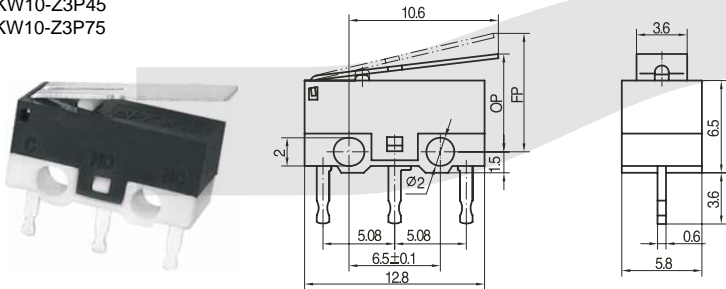


型號 Model	KW10-Z2P30	KW10-Z2P45	KW10-Z2P75
OF Max(N)	0.17	0.33	0.55
RF Min(N)	0.02	0.04	0.08
OT Min(mm)	1.0		
MD Max(mm)	1.0		
FP Max(mm)	10.0		
OP(mm)	7.6 ± 1.5		

Micro Switch Series

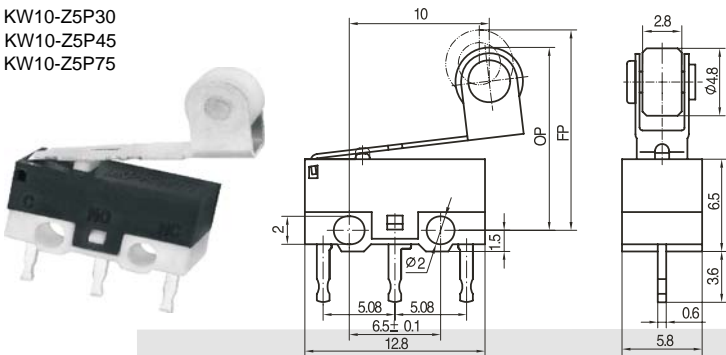
KLS7-KW10 Micro Switch Series

KW10-Z3P30
KW10-Z3P45
KW10-Z3P75



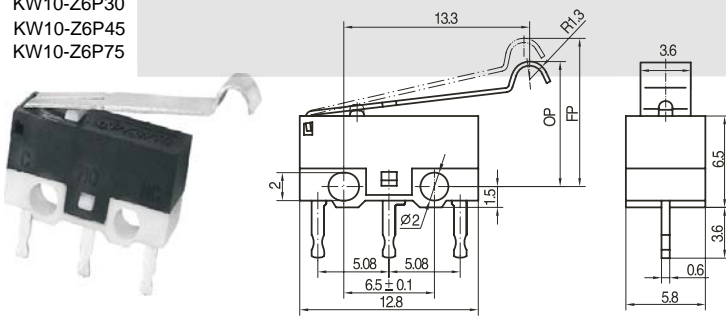
型號 Model	KW10-Z3P30	KW10-Z3P45	KW10-Z3P75
OF Max(N)	0.23	0.45	0.75
RF Min(N)	0.03	0.06	0.12
OT Min(mm)	0.7		
MD Max(mm)	0.7		
FP Max(mm)	9.5		
OP(mm)	7 ± 1.2		

KW10-Z5P30
KW10-Z5P45
KW10-Z5P75



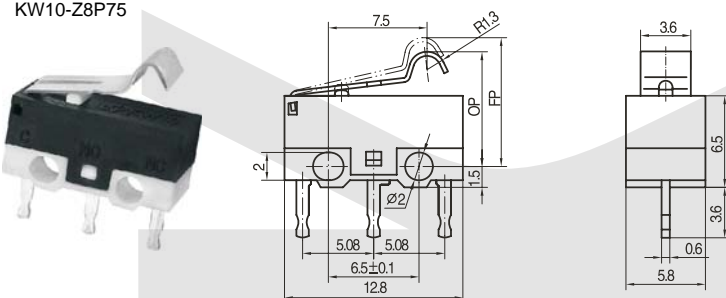
型號 Model	KW10-Z5P30	KW10-Z5P45	KW10-Z5P75
OF Max(N)	0.23	0.46	0.77
RF Min(N)	0.02	0.05	0.10
OT Min(mm)	0.7		
MD Max(mm)	0.7		
FP Max(mm)	16.5		
OP(mm)	13 ± 1.5		

KW10-Z6P30
KW10-Z6P45
KW10-Z6P75



型號 Model	KW10-Z6P30	KW10-Z6P45	KW10-Z6P75
OF Max(N)	0.18	0.36	0.60
RF Min(N)	0.02	0.05	0.10
OT Min(mm)	0.9		
MD Max(mm)	0.9		
FP Max(mm)	11.5		
OP(mm)	8.6 ± 1		

KW10-Z8P30
KW10-Z8P45
KW10-Z8P75

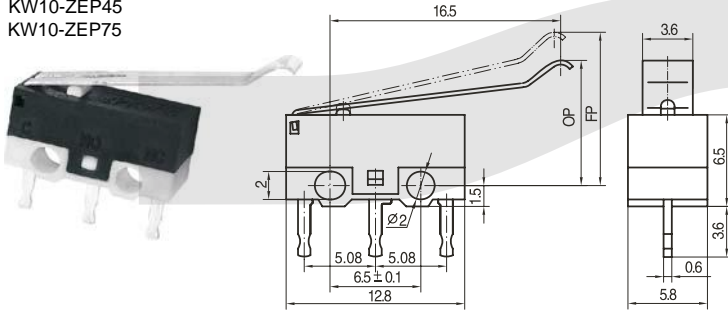


型號 Model	KW10-Z8P30	KW10-Z8P45	KW10-Z8P75
OF Max(N)	0.30	0.60	1.00
RF Min(N)	0.03	0.06	0.12
OT Min(mm)	0.6		
MD Max(mm)	0.6		
FP Max(mm)	10.5		
OP(mm)	8.6 ± 1		

Micro Switch Series

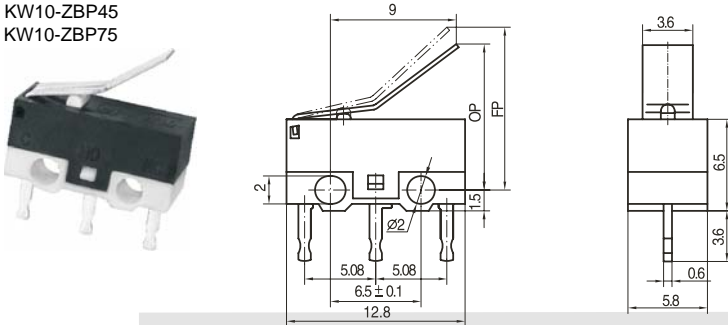
KLS7-KW10 Micro Switch Series

KW10-ZEP30
KW10-ZEP45
KW10-ZEP75



型號 Model	KW10-ZEP30	KW10-ZEP45	KW10-ZEP75
OF Max(N)	0.15	0.30	0.50
RF Min(N)	0.02	0.05	0.10
OT Min(mm)	1.1		
MD Max(mm)	1.0		
FP Max(mm)	11.5		
OP(mm)	8.5 ± 1.5		

KW10-ZBP30
KW10-ZBP45
KW10-ZBP75



型號 Model	KW10-ZBP30	KW10-ZBP45	KW10-ZBP75
OF Max(N)	0.25	0.50	0.80
RF Min(N)	0.02	0.05	0.10
OT Min(mm)	0.6		
MD Max(mm)	0.6		
FP Max(mm)	12.5		
OP(mm)	10.5 ± 1.5		