

1

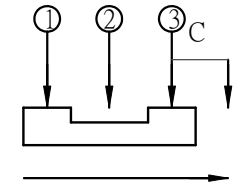
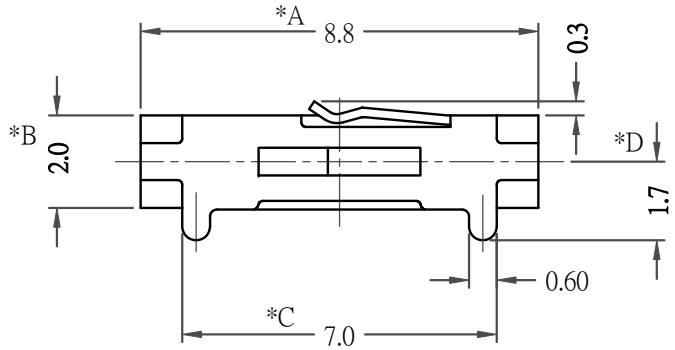
2

3

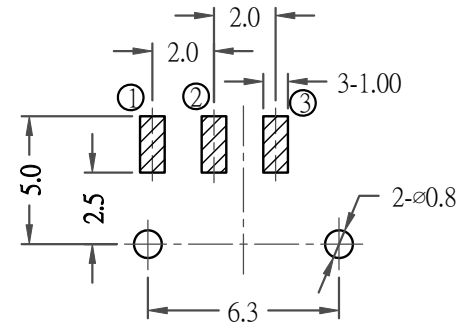
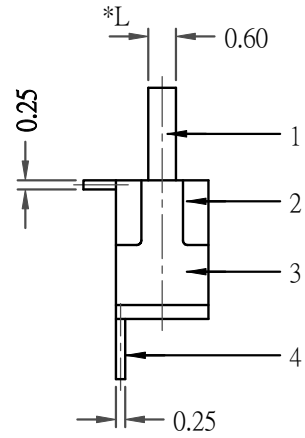
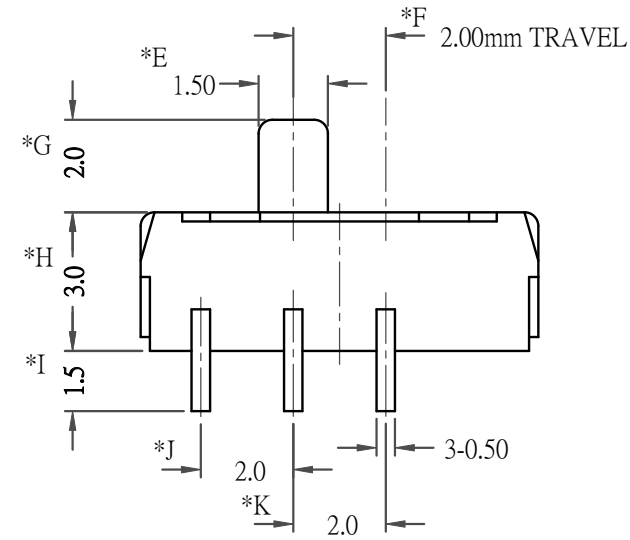
4

REVISION

POSITION	DESCRIPTION	DATE



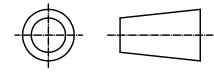
SCHMATIC



P.C.B.LAYOUT

* CRITICAL DIMENSION

CHI FUNG ELECTRONICS CO.,LTD.



SERIES :MINI SLIDE SWITCH		DRAWING NO.:	CF-ENL-MSH4024-1	7				
PART NAME:MSH-12N04M-22		GENERAL TOLERANCE		6				
UNIT : MM	DWN.	WITHIN 0.XXmm?.15mm OVER 0.Xmm?.25mm		5	CONTACT	C5210R	1	Ag CLAD
SCALE :6:1	CHK'D			4	TERMINAL	BRASS STRIP	3	Ag COATING
REV : A/0	APPD.			3	COVER	SUS 301	1	NATURAL
				2	CASE	PA6T	1	BLACK
				1	STEM	PA6T	1	WHITE
				NO.	PART NAME	MATERIAL	QTY	FINISHING

1

2

3

4