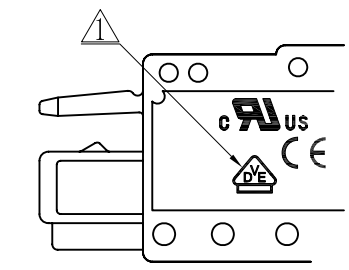
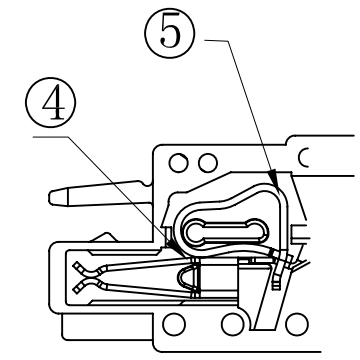
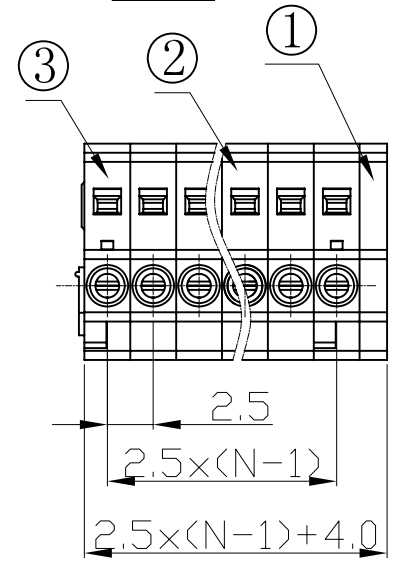
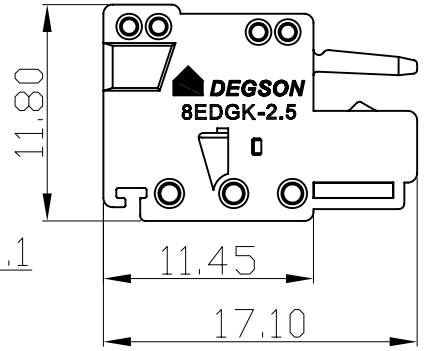
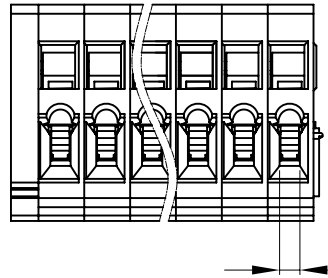
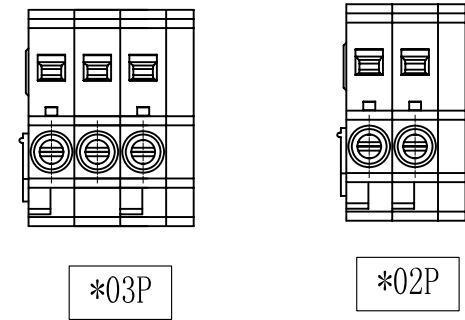
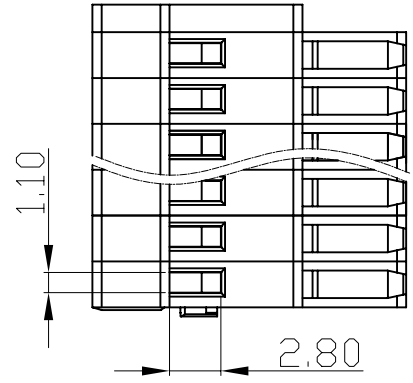


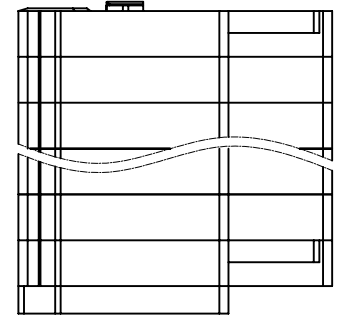
REVISION RECORD					
REV	ECD	DESCRIPTION	DRFT	DATE	
⚠	10-0303	增加“VDE”完全认证标志及参数变更	Jinhai_Lan	09/16/10*	
⚠	10-0320	用8EDGK-2.5弹片替代DG240弹片 (仅限于8EDGK-2.5产品)	HXG	09/27/10*	



“C”视图

- Notes:
- Pitch: 2.50mm
  - Rated voltage/current: UL 150V 4A  
VDE 250V 4A
  - Operation temperatures: -40°C ~ +105°C
  - Withstanding Voltage: AC2000V/1min
  - Insulation Resistance: 5000MΩ / DC1000V
  - Wire Range: 28~20AWG, 0.5mm<sup>2</sup>
  - Undimensioned Tolerances:

Pitch range in mm		Nominal dimension range in mm						
to	over	over	over	over	over	over		
6	10	10	24	30	60	100	150	
±0.10	±0.15	±0.25	±0.2	±0.3	±0.5	±0.7	±1	0.05/10



5	SEDGK-2.5-Spring	X000004950 (H)	XX	Stainless Steel	
4	SEDGK-2.5 Clamp	1127B00010 (H)	XX	Phosphor Bronze	SnCe
3	SEDGK-2.5 Housing2	1127A0Y01C (H)	2	PA66	UL94V-0

2	8EDGK-2.5 Housing1	1127A0Y01A (H)	XX-2, (XX)=0 0, (XX)=3		
1	8EDGK-2.5 Cover	1127C0Y01A (H)	1		
ITEM	NAME OF PART	NO. OF PART	Q'TY	MATERIAL	NOTES
DETACHED LISTS	MM (INCH)	DFTO IID	DATE 07/20/10*	宁波高正电子有限公司 DEGSON ELECTRONICS CO., LTD NAME 8EDGK-2.5-XXP-1Y-00A(H) DRAWING NO. 8EDGK-2.5-E02 SIZE A3 REV T2 09/27/10* /PART NO. DO NOT SCALE DRAWING SHEET 1 OF 1	
	TOLERANCES EXCEPT AS NOTED	CHKD	DATE		
	MM	MFD	DATE		
	.0 ±	APPVL	DATE		
	.00 ±	MATERIAL :			
.000 ±	ANGLES ± 1°	G.E :			
	THIRD ANGLE PROJECTION	FINISH:			
		SCALE :			