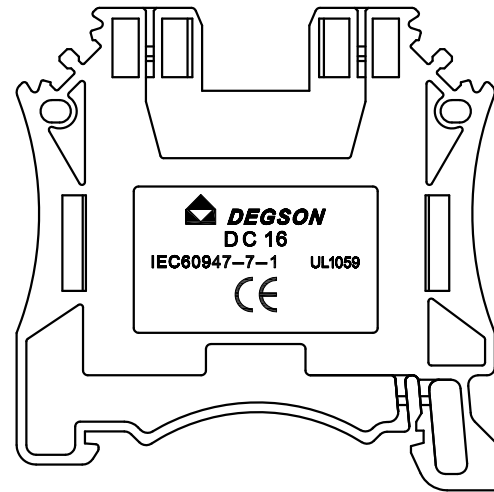
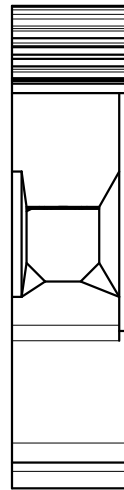
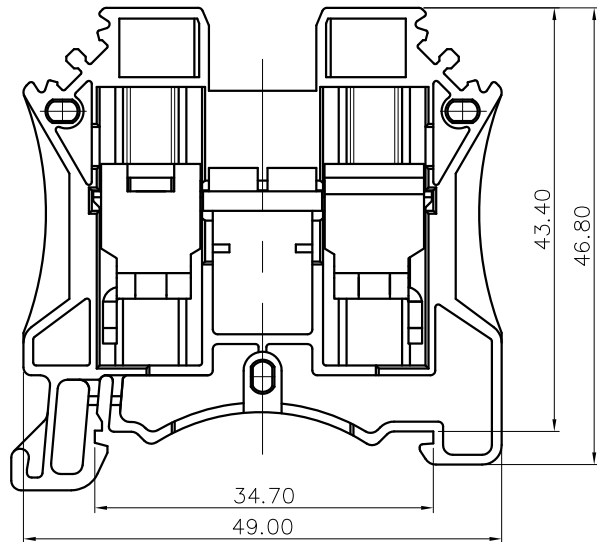
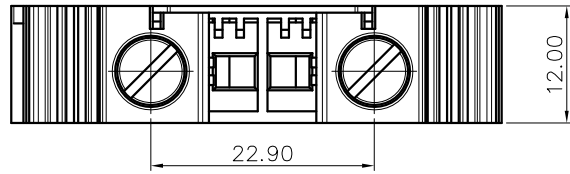


REVISION RECORD

REV	ECN	DESCRIPTION	DRFT	DATE
-----	-----	-------------	------	------



NOTES1:

UL Standard

1. Rated voltage/current : 600V / 100A
2. Withstanding voltage : AC2200V/1Min.
3. Torque value : M5 , 27Lb.in
4. Wire range : 14~3AWG

IEC Standard

1. Pollution degree	3
Overvoltage category	III
Rate impulse voltage(KV)	8KV
Rate voltage(V)	1000V
Rate current(A)	76A

2. Torque value : M5 , 2.5N·m
3. Wire range : 1.5~25mm²

NOTES2:

1. Dimension shall be interpreted per ASME Y14.5-2009
2. Pitch : 12mm, Poles : N=01P
3. Stripping length : 12~13mm
4. Operating temperature: -40°C~+105°C
5. Undimensioned tolerances:

Pitch Range In mm	Nominal Dimension Range In mm						0.1/10	
	Over 6 TO 10	Over 10 TO 24	Over 30 TO 30	Over 60 TO 60	Over 100 TO 150	Over 150		
TO 6	±0.15	±0.20	±0.30	±0.50	±0.70	±1.00	±1.30	±2*

6. RoHS Compliance

DC16 - 01P - 1Y - 00A (H)
 (Series No.) (Poles) (Single Pitch) (Color): 1.(Grey)
 2.(Blue)
 3.(Black)
 4.(Green)
 5.(Orange)
 6.(Red)
 7.(Transparent)
 8.(Yellow)
 9.(White)
 (RoHS)
 00A-(Standard)

DETACHED LISTS	PART NO.:	/			
	APPD:	/			
	CHKD:	/			
	DRFT:	/			
	<p>THIRD ANGLE PROJECTION</p>		<p>DO NOT SCALE DRAWING</p>		
<p>NINGBO DEGSON ELECTRICAL CO., LTD</p>		<p>NAME: DC16-01P-1Y-00A(H)</p>		<p>REV: /</p> <p>DO: /</p>	
<p>TITLE: CUSTOMER DRAWING</p>		<p>DRAWING NO.: /</p>		<p>SHEET: 1/1</p> <p>SCALE: 1:1</p>	