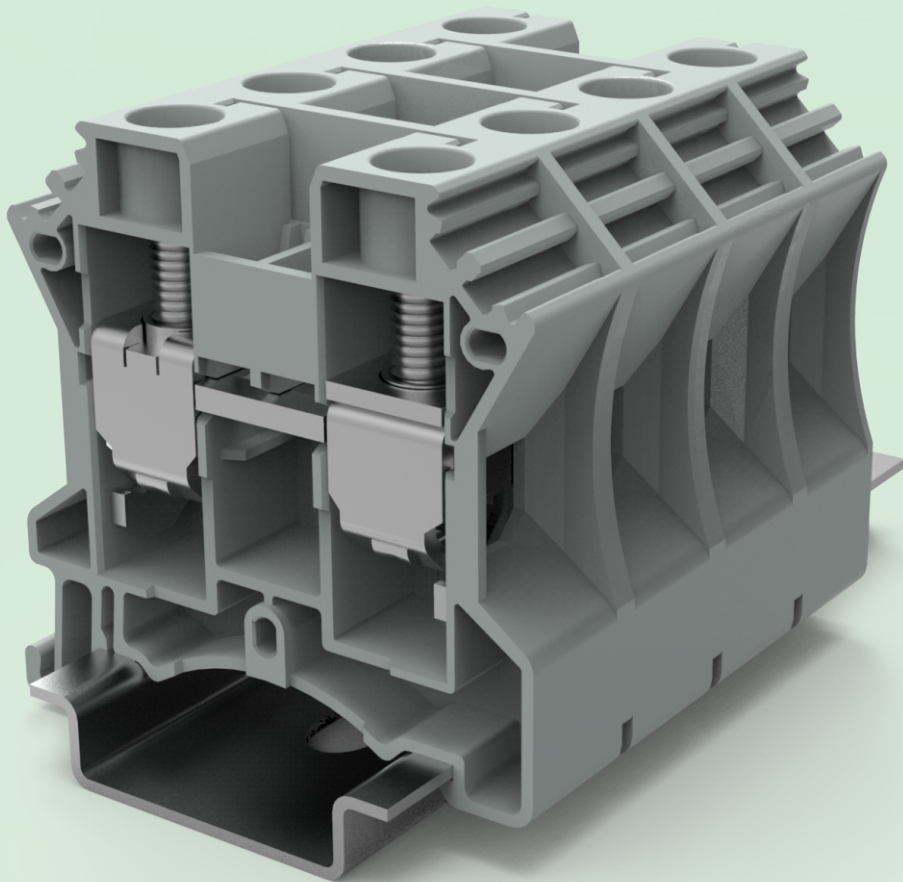
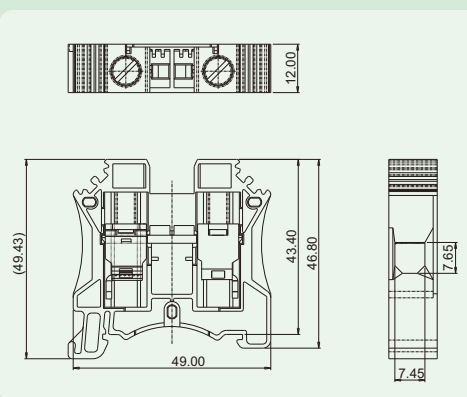


DC16



- 紧凑型结构设计, 可固定于NS35;
- 载流体采用紫铜材料, 保证良好的电气性能;
- 螺钉连接结构, 接线牢固;
- 插入式桥接附件, 提供02P-10P多种选择;
- 最大线径: 25mm²。
- Compact structure design, fixed on NS35;
- Copper current carrier, fine electrical performance;
- Connecting structure with screw, secure connecting;
- Plug-in jumping accessories, 02P-10P available;
- Max wire diameter:25mm².



技术参数 Technical Data

APPROVAL: CE

| 型号 Model | 线径 Wire range | 线数 Poles | IEC60947技术参数(IEC60947 datasheet) | | UL1059技术参数(UL1059 datasheet) | |
|-------------|--------------------------------|-------------|----------------------------------|------------------------|------------------------------|------------------------|
| | | | 电压(V) Rated voltage | 电流(A) Rated current | 电压(V) Rated voltage | 电流(A) Rated current |
| DC16 | 1.5-25mm ² /14-3AWG | 01P | 1000 | 76 | 600 | 100 |

应用行业 Application

工业自动化、机械、电力电气、新能源、电梯等行业。

Industrial automation, machinery, electric power, new energy, elevator etc.



附件 Accessory

| | |
|-------|--------|
| DFA16 | D-DC16 |
| ZB8 | TS-K |

型号对照 Cross Reference

| | | |
|--------|------------------|------------------|
| DEGSON | 同行1/ Competitor1 | 同行2/ Competitor2 |
| DC16 | TB16 | DK16N |

产品订货 How to order

| | | | | | | | | |
|------------|-------------|---|---|----------------------------------|---|---|---|----|
| DC16 | X | X | P | 1 | Y | 0 | 0 | AH |
| Series No. | No. of Pole | | | | | Standard | | |
| | | | | 1 Single pitch 2 Double pitch | | 通用色 General Color Grey PANTONE 430C DEGSON 01 | | |

产品包装方式 Packing

| | |
|---------------|-----------|
| Product model | Pcs./Pkt. |
| DC16-01P | 25 |