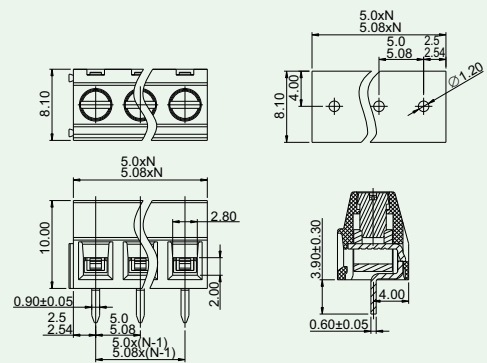


DG127-THR-5.0/5.08

- 耐高温材料，可采用THR回流焊接工艺；
- 螺钉连接结构，操作方便；
- 最大线径：1.5mm²。
- High-temperature resistance material ,used in THR reflow processes;
- Screw connection structure , easy operation;
- Max. wire range:1.5mm².



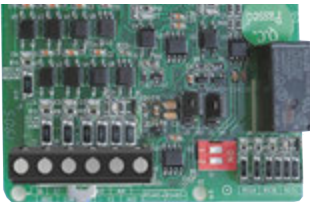
技术参数 Technical Data

APPROVAL: CE

| 型号 Model | 线径 Wire range | 线数 Poles | IEC60947技术参数 (IEC60947 datasheet) | | UL1059技术参数 (UL1059 datasheet) | |
|--------------------|----------------------------------|-------------|------------------------------------|---------------------|--------------------------------|---------------------|
| | | | 电压(V) Rated voltage | 电流(A) Rated current | 电压(V) Rated voltage | 电流(A) Rated current |
| DG127-THR-5.0/5.08 | 0.5-1.5mm ² /26-14AWG | 2P;3P-24P | 250 | 15 | 300 | 12 |

应用行业 Application

工业自动化、仪器仪表、电梯、电源等行业。
Industrial automation , instrument , elevator , power supply etc.



产品包装方式 Packing

| Product model | Pcs./Pkt. |
|-----------------------|-----------|
| DG127-THR-5.0/5.08-2P | 50 |
| DG127-THR-5.0/5.08-3P | 50 |

型号对照 Cross Reference

| DEGSON | 同行1/ Competitor1 | 同行2/ Competitor2 |
|--------------------|---------------------|------------------|
| DG127-THR-5.0/5.08 | MKDSN1.5/X-5.0/5.08 | - |

产品订货 How to order

| | | | | | | | | | | | |
|--------------------|-------------|-------------------|--------------|-------|---|---|---|---|----------|------|----|
| DG127-THR-5.0/5.08 | - | X | X | P | - | 1 | 3 | - | 0 | 0 | AH |
| Series No. | No. of Pole | 通用色 General Color | | | | | | | Standard | | |
| | | 1 | 2 | 3 | | | | | PANTONE | 419C | |
| | | Single pitch | Double pitch | Black | | | | | DEGSON | 03 | |