

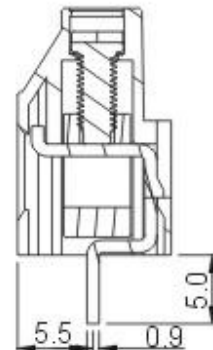
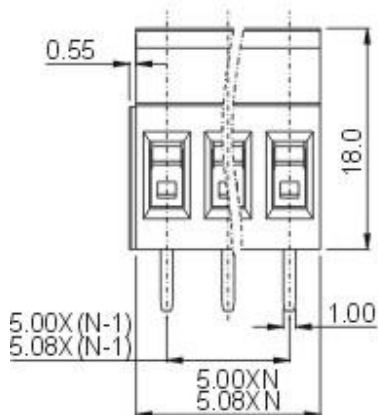
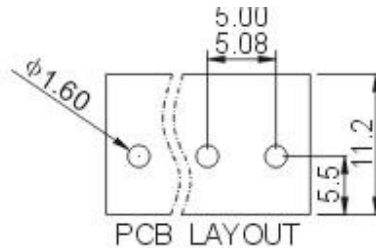
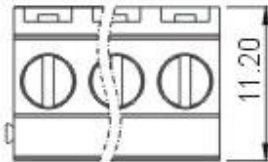


DEGSON ELECTRONICS CO., LTD.

Product Specification

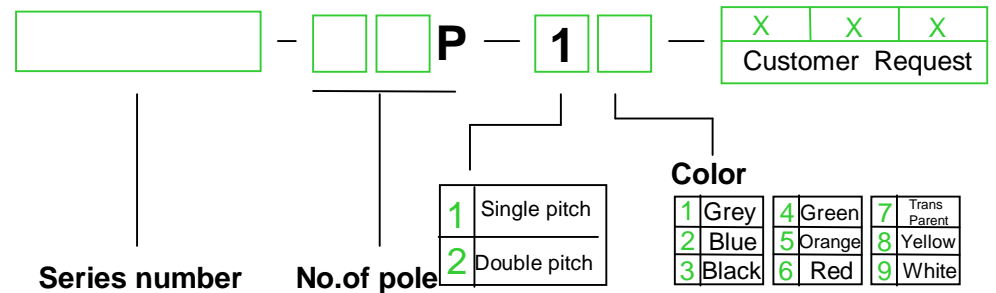


DG130-THT-5.0
DG130-THT-5.08



APPROVAL		
Electrical		
Standard	UL	IEC
Rated voltage	300V	250V
Rated current	20A	20A
Wire range	26-12AWG	2.5mm ²
Withstanding voltage	AC2000V/1Min	
Menchanical		
Torque	0.5Nm(4.4Lb-In)	
Ambient temperature	-40°C~+140 °C	
Strip length	7mm	
Dimensions		
pitch	5.0mm(.197") 5.08mm(.200")	
Poles	2P,3P-24P	
Material		
Housing	PA4 6,UL94V-0	
Screws	M3,Steel, Cr ³⁺ Znplated	
Pin header	Brass,Tin plated	
Cage	Brass,Ni plated	

HOW TO ORDER :



	DEGSON ELECTRONICS CO., LTD.
	NAME DG130-THT-5.0 DG130-THT-5.08