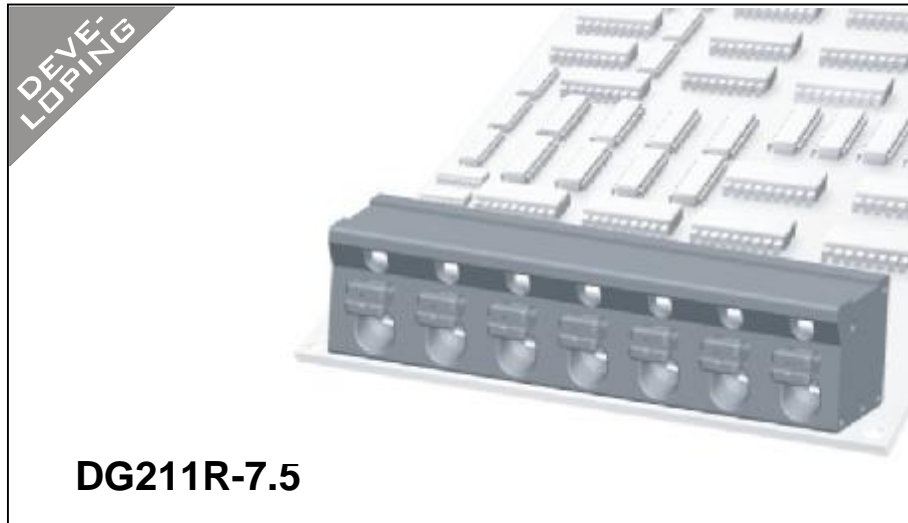


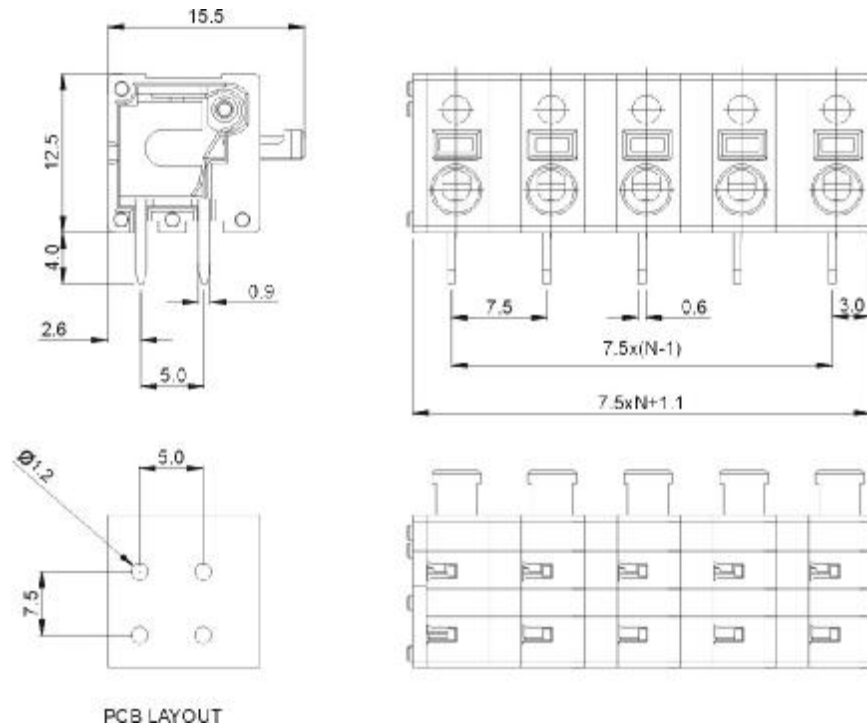


DEGSON ELECTRONICS CO., LTD.

Product Specification

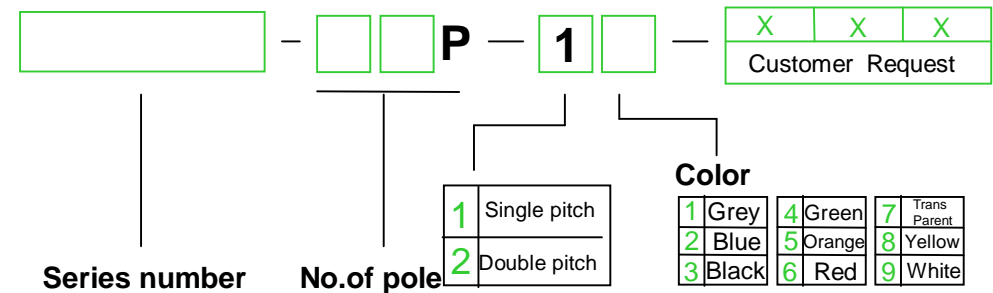


DG211R-7.5



Approval		
Electrical		
Standard	UL	IEC
Rated voltage	300V	250V
Rated current	8A	15A
Wire range	26-16AWG	0.2-1.5mm ²
Withstanding voltage	AC2500V/1Min	
Mechanical		
Ambient temperature	-40°C ~ +105 °C	
Strip length	8-9mm	
Dimensions		
Pitch	7.5mm (.295")	
Poles	1P-XXP	
Material		
Housing	PA66,UL94V-0	
Pin header	Brass,Tin plated	
Wire guard	Stainless steel	

HOW TO ORDER :



	DEGSON ELECTRONICS CO., LTD.
	NAME DG211R-7.5