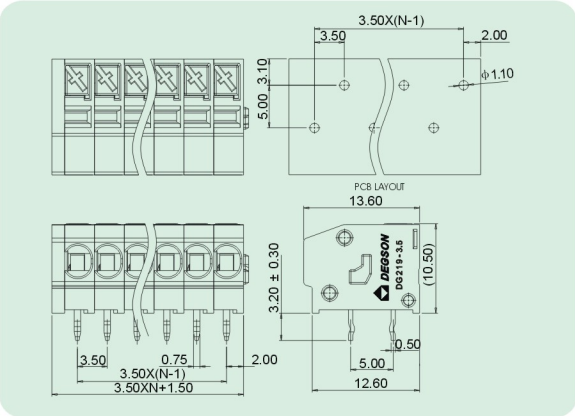


DG219-3.5

- PCB弹簧式带推压键结构。
- PCB spring structure with push button.
- Push button is almost as same height as terminal blocks, releasing the stranded wire by small force



DG219-3.5

技术参数 Technical data

APPROVAL: **CE**

型号 Model	线径 Wire range	线数 Poles	IEC60947技术参数 (IEC60947 data sheet)		UL1059技术参数 (UL1059 data sheet)	
			电压(V) Rated voltage	电流(A) Rated current	电压(V) Rated voltage	电流(A) Rated current
DG219-3.5	24-16/0.2-1.5AWG/mm ²	02-24P	320	17.5	300	10

应用行业 Application

工业自动化, 新能源, 电梯, 电力电气等行业。
Industrial automation, new energy, elevator, electric power.



产品包装方式 Packing

Product model	Pcs./Pkt.
DG219-3.5	-

型号对照 Cross reference

DEGSON	同行1/Competitor1	同行2/Competitor2
DG219-3.5	805	-

产品订货 How to order

