

REVISION RECORD				
REV	ECN	DESCRIPTION	DRFT	DATE

NOTES1:

UL Standard

1. Rated voltage/current : 600V
2. Wire range : 28~12AWG

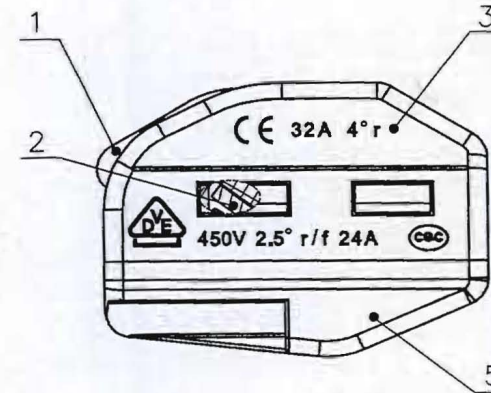
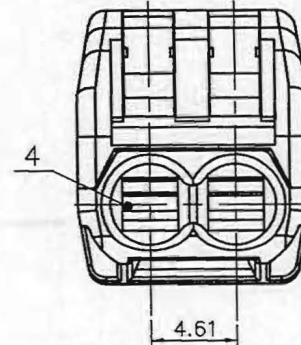
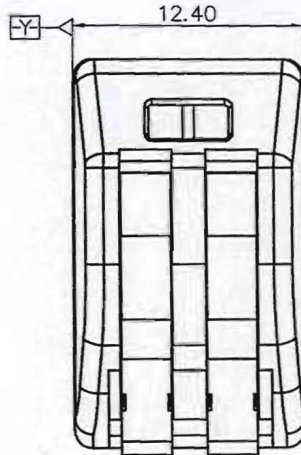
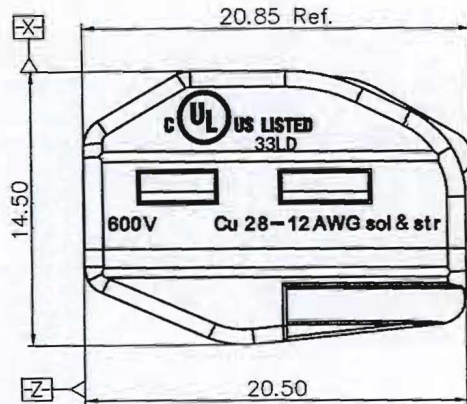
VDE Standard

1. Rated voltage/current : 450V / 24A
2. Wire range : 0.2~2.5mm²

IEC Standard

1. Rated voltage/current : 450V / 32A
2. Wire range : 0.2~4.0mm²(sol)

DG223 - 4.61 - 02P (1Y-00A H)
 (Series No.) (Pitch) (Poles) (Single Pitch) (Color): 1.(Grey)
 2.(Blue) 3.(Black) 4.(Green) 5.(Orange) 6.(Red) 7.(Transparent) 8.(Yellow) 9.(White)



NOTES2:

1. Dimension shall be interpreted per ASME Y14.5-2009
2. Pitch : 4.61mm, Poles : 02P
3. Stripping length : 9~10mm
4. Withstanding voltage : AC2500V/1Min
5. Operating temperature: -40°C~+105°C
6. Undimensioned tolerances:

Pitch range in mm	Nominal dimension range in mm							Tolerance	
	Over 6 TO 6	Over 10 TO 10	Over 24 TO 24	Over 30 TO 30	Over 60 TO 60	Over 100 TO 100	Over 150 TO 150		
	±0.15	±0.20	±0.30	±0.30	±0.50	±0.70	±1.00	±1.30	±2°

7. RoHS Compliance



ITEM	NAME OF PART	MATERIAL	NOTES
5	Housing	PA66	UL94V-0
4	Spring	Stainless steel	
3	Cover	PA66	UL94V-0
2	Current carrier	Copper	Sn Plated
1	Button	PA66	UL94V-0

PART NO.: /		宁波高松电子有限公司 NINGBO DEGSON ELECTRICAL CO., LTD	
APPD: Jacky.Li 2019.7.22 CHKD: Mler 2019.7.22 DRFT: LJB 2019.07.08	NAME: DG223-4.61-02P (1Y-00AH) TITLE: CUSTOMER DRAWING		
THIRD ANGLE PROJECTION	DRAWING NO.: DG223-4.61-C01 (MM / INCH)	REV: TO SHEET: 1/1	SCALE: 1:1